

Ocean State Signal Co.

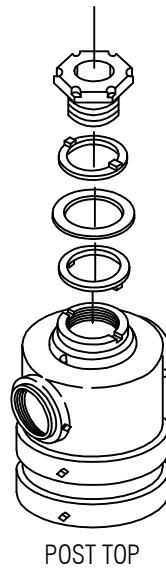
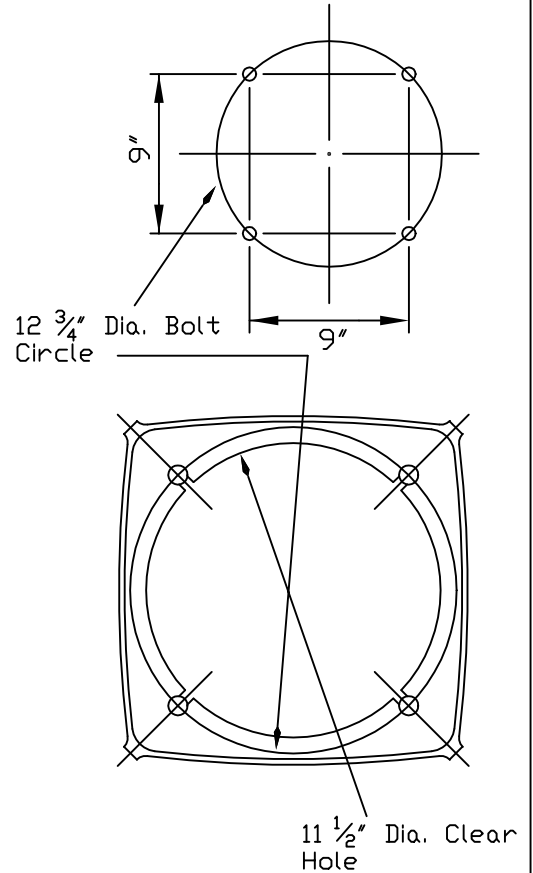
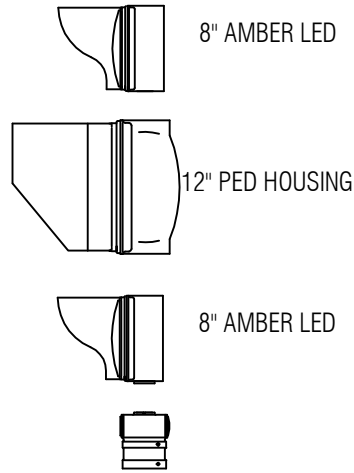
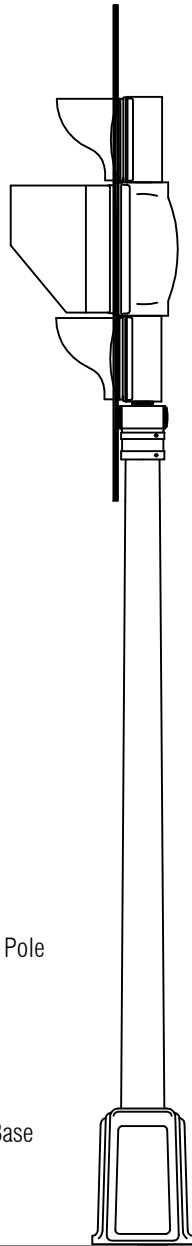
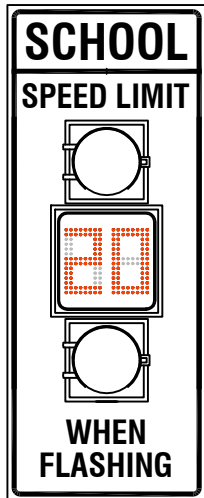
27 Thurber Blvd • Smithfield, RI 02917
(401) 231-6780 Fax: (401) 231-4390

SPECIFICATION SHEET

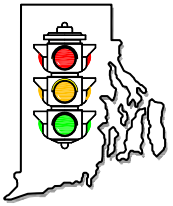
TITLE: SCHOOL ZONE SIGNAL
ON 8' ALUMINUM PEDESTAL

PART NO.:
SEE BELOW

School Zone Sign
(24"X60")
(See Page Two)



Galvanized Steel Anchor
Bolts $3/4"$ \times $2'-1"$ Long
With $3"$ - 90° Hook
And $4"$ Threaded End



Ocean State Signal Co.

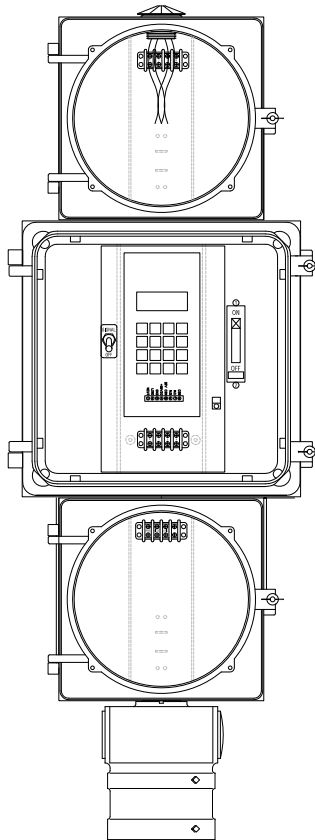
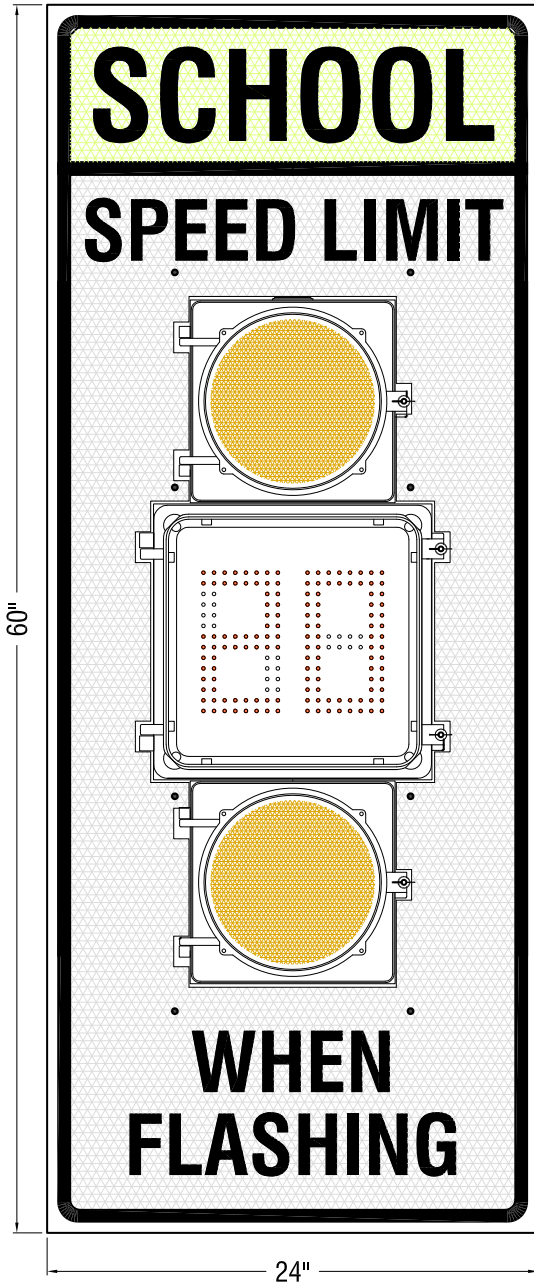
27 Thurber Blvd • Smithfield, RI 02917
(401) 231-6780 • Fax: (401) 231-4390

ASSEMBLY DRAWING

TITLE:
Programmable School Zone Signal Assy

PART NO.:

24" x 60" Retroreflective School Zone Signal Sign



Signal Cap
Dual Circuit Flasher

8" Signal Housing
w/8" Yellow LED

12" Ped Housing
w/"20" MPH LED
& AP21T Time Switch

8" Signal Housing
w/8" Yellow LED

SE-3310
1-Way Off-Set
Post Top Assy