



Pelco Products, Inc. is a centrally located, Oklahoma based, family-owned business specializing in designing, engineering, manufacturing and distributing the finest traffic and utility products. Utilizing the latest in technology and streamlined manufacturing, Pelco offers a broad range of utility products ranging from capacitor bank junction boxes to a customized solution, such as our insulator blade adapter.

Equipment Mounts

Various utility equipment mounts are offered by Pelco, including conduit stand-off brackets, cutout arrestor mounts, transformer mounts, and meter mounts.

Arm & Pole Products

Pelco manufactures davit arms, lighting arms, and luminaire clamps, as well as round, tapered, and fluted poles, in multiple sizes. Various hand hole covers, pole caps, and bases are also available.

Capacitor Bank Products

Pelco offers a wide variety of junction box assemblies, weather-resistant and pre-wired. Various configurations are available with 6 or 4-jaw meter bases, transformer cables, sensor cables, and Mil-Spec connectors.

Theft Deterrent Products

"Copper Safe" theft deterrent products are Pelco's solution to copper theft and vandalism. Pelco's cable retainers, hand hole covers, and base doors prevent unnecessary expenses to a community.

Foundation Anchors

Pelco's power-installed foundation anchors provide an economic advantage over traditional methods by reducing labor cost, equipment, material, and time. Various sizes are available.

Lighting Solutions

Pelco offers a variety of lighting fixtures, customized for specific requirements. Pelco can also provide various poles, bases, and anchors for mounting the lighting fixtures.

Special Applications

Pelco Products, Inc. has always strived to provide the industries best source for products that fill special and unique mounting applications. Our design and engineering capabilities have resulted in hundreds of products that, over the years, have solved mounting problems for customers all over the world. If you do not find the product you need in our standard catalog, contact Pelco Products, Inc. We may have an existing product to meet your needs.

PRODUCT INDEX

PART NUMBER SYSTEM

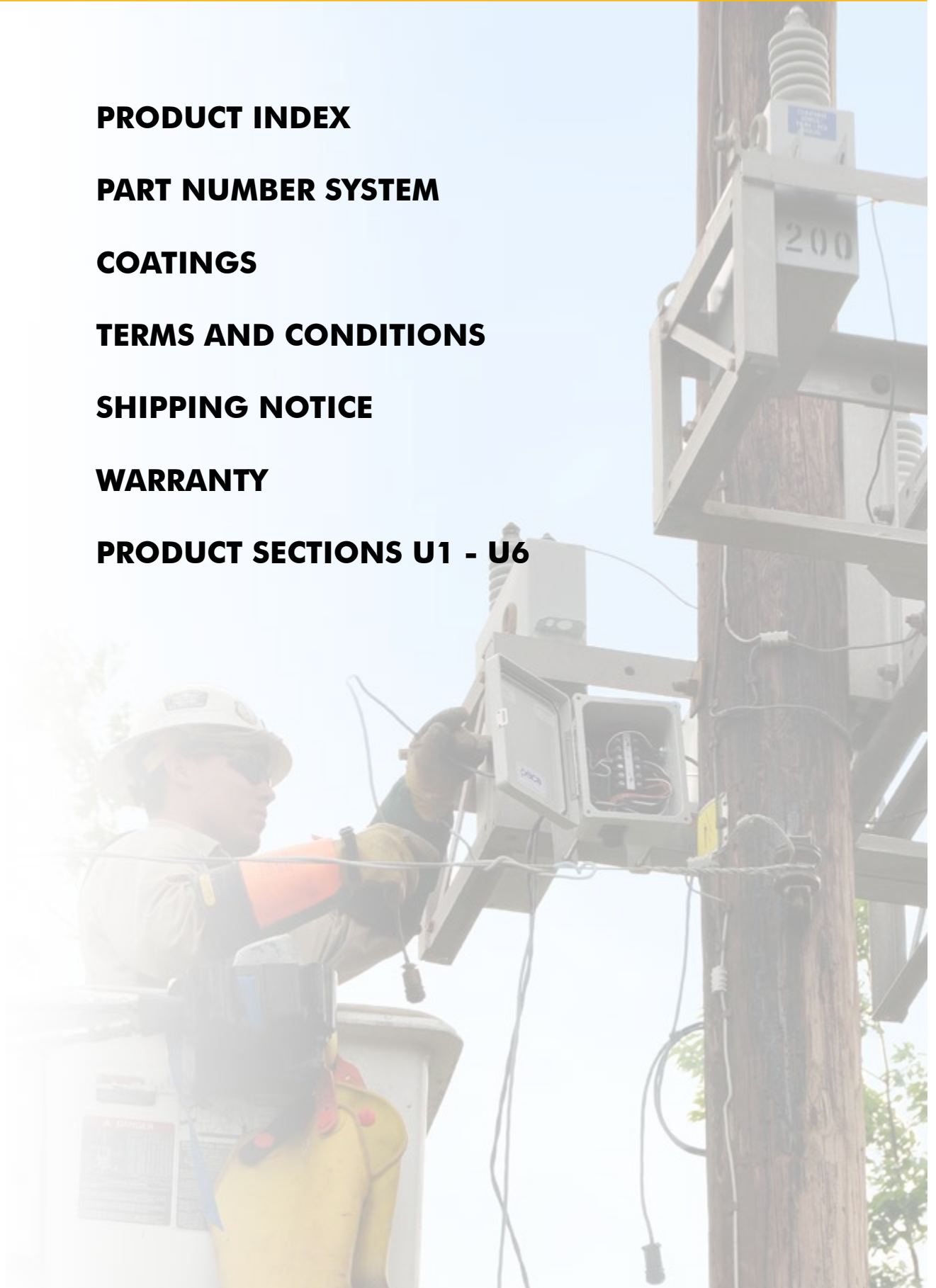
COATINGS

TERMS AND CONDITIONS

SHIPPING NOTICE

WARRANTY

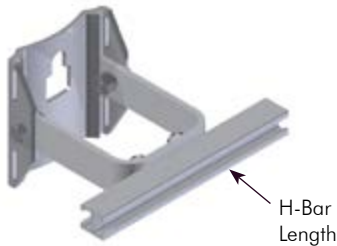
PRODUCT SECTIONS U1 - U6



BRACKETS & EQUIPMENT MOUNTS.....	U 1
Stand-off Brackets, H-Bars & Conduit Straps, Utility Mounting Brackets, Cutout Arrester Mounts, Transformer Mounts, Meter Mounts, Blade Adapter, Banding Components, Banding Brackets	
ARM & POLE PRODUCTS.....	U 2
Davit Arms, Luminaire Arm Clamps, Pole Caps, Hand Hole Covers, Typical Pole & Base	
CAPACITOR BANK PRODUCTS	U 3
Junction Boxes, Meter Bases, Cable Assemblies, Wiring Harness	
THEFT DETERRENT PRODUCTS	U 4
Cable Retainers, Base Doors, Hand Hold Covers	
BASES & FOUNDATION ANCHORS.....	U 5
Foundation Anchors, Anchor Bolt Cages, Anchor Bolt Sets, Transformer Bases, Plastic Replacement Doors, Conduit Topper, Anchor Bolt Template	
LIGHTING SOLUTIONS.....	U 6
Luminaires, Light Shields, Lighting Arms, Poles, Bases, Banner Bracs, Flag Mounts	

Following is a typical example of how to construct a unique part number for ordering. Options such as length, coating, etc., should be indicated by filling in the blank boxes with specific information as shown below. All part numbers should consist of the base part number and at least a finish or coating suffix.

Example:



Conduit Stand-Off Bracket w/ 6" Stand-Off & H-Bar, Alum

SP-6060 - 12 - PNC

H-Bar Length Coating

06=6" PNC=Process No Color
09.5=9-1/2" P_ =Paint
12=12"
24=24"

Part Number
SP-6060-12-PNC

H-Bar Length ———
Coating ———

Conduit Stand-Off Bracket w/ 6" Stand-Off & 12" H-Bar, Alum

- Pelco's standard utility products with typical options are shown in this catalog. Special options are often available upon request.
- State Specials are not included in this catalog.
- All information is assumed to be correct at the time of printing. For the most up-to-date information, please check Pelco's online catalog at www.pelcoinc.com

CODE	COATING
PNC	Process No Color
BOX	Black Oxide
BRS	Brass
CRM	Chrome
EC1	E-coat Black
GLV	Galvanized
ZN1	Zinc Bright
ZN2	Zinc Yellow
P_ _	Paint (add color #)

POWDER COAT STANDARD COLORS	
P30	Automatic Green
P33	Gloss Black
P34	Flat Black
P36	New York State Green (forest)
P38	Louisiana Green
P39	Bronze
P59	Textured Black
P67	Ansi Gray

POWDER COAT SPECIAL COLORS	
(SUBJECT TO SPECIAL SETUP CHARGE)	
P35	Iron Gray
P37	Epoxy Matte Gray Primer
P40	Silver (w/ clear top coat)
P45	Super Wet White
P48	Gray Primer (zinc rich)
P62	MDC Gray
P64	KOMO Bronze

WET PAINT STANDARD COLORS	
P04	Gloss Black
P05	New York State Green (forest)
P06	Automatic Green (dark green)
P22	Gloss White (industrial enamel)
P17	Platinum

Note:

Pelco can match your custom colors.

Please provide the following and contact Pelco for pricing.

- For custom powder: RAL number or paint chip.
- For wet paint: Federal Standard 595 paint code or paint chip.

Special setup and paint charge will apply.

PAYMENT TERMS

Net 30 Days.

A 1½% per month (18% APR Service Charge) will be assessed on invoices whose payment has not been received within 45 days.

CREDIT CARD TERMS

We accept American Express, Mastercard, Visa, and Discover. A service fee of 3% will be added to all invoices. Credit Card will be charged prior to shipment.

CREDIT HOLD

Accounts over 90 Days will be placed on credit hold and remain so until brought current including Service Charges. Orders on credit hold will be pulled from production and will only be rescheduled for shipment after release from credit hold.

MINIMUM BILLING

A \$20.00 Minimum Service Charge will be assessed to each order for \$50.00 or less.

F.O.B. POINT

Edmond, Oklahoma unless otherwise quoted.

PRICING

As stated in Price Schedule, *prices are subject to change without notice.*

QUOTATIONS

Pricing on quotations is firm for 30 days from date of quotation unless otherwise indicated. Please reference quotation when ordering.

CANCELLATIONS

Orders cancelled for stock items will be assessed at a minimum of 10% of net value.

Orders cancelled for special or non-stock items will be assessed at a minimum of 20% of net value.

CUSTOMER PICK UP

Customer pick up requests will be accommodated. A 10% service charge will apply if not picked up within 30 days of notification of completion of order.

SHIPMENT & DELIVERY

Pelco is very diligent in selecting the most competent and economical carrier. However, upon written request Pelco will use a carrier of your specific choice. See Shipping Notice, in the Reference Section of this catalog, for shipment specifics and freight claims.

RETURNED GOODS

In order to expedite handling, written authorization must accompany all returned goods. Upon request, a Returned Merchandise Authorization (RMA) will be issued and must be used. Use this RMA as a packing list when returning a shipment. A restocking fee plus freight charges shall be assessed against the return of goods unless return of goods was due to an error of Pelco.

REQUESTS FOR CERTIFICATIONS

Representative material test reports are available on request for most Pelco products. If your order contains materials that require lot or heat treat number traceability, or if the materials must be of domestic origin, those requirements must be clearly stated at the time your order is placed.

COPY OF SHIPMENT NOTICE INCLUDED WITH EACH SHIPMENT

NOTICE

SHIPMENTS MADE WITH FACTORY AS F.O.B. POINT

-CARRIER HAS ACCEPTED SHIPMENT IN GOOD CONDITION-
LOST OR DAMAGED GOODS ARE THE CARRIER'S RESPONSIBILITY in all shipments of this type.

PELCO'S Responsibility For This Shipment Has Now Ceased.

CHECK YOUR SHIPMENT CAREFULLY WHEN DELIVERED to see that it is in good order and received complete. When packages check short or are in bad condition, have the Carrier's agent make notation of this fact in detail on the freight bill or express receipt and then require that he sign it.

LOST OR DAMAGED GOODS ARE THE CARRIER'S RESPONSIBILITY in all LTL (less than truckload) shipments. In TL (truckload) shipments, the Carrier is responsible for damage to exposed surfaces of the goods (top and ends) caused by collision with other vehicles or objects when the Carrier is negligent, and by loading other freight on or against Pelco goods. When the trailer itself shows evidence of fresh damage, call at once for inspection of the contents just as though it were an LTL shipment.

CONCEALED LOSS OR DAMAGE DISCOVERED AFTER DELIVERY of shipment must be reported to the delivering Carrier upon discovery, and in any event within 15 days after receipt. Hold goods, containers, and packing materials in exact condition as found for inspection by the Carrier. An inspector for the Carrier should call within 48 hours. If nothing is heard in that time, notify them by registered mail and get a receipt. The Carrier will issue an inspection report and give you a copy which must be used to support your claim.

FAILURE TO COMPLY WITH ANY OF THE FOREGOING REGULATIONS IS REGARDED AS INDICATING COMPLETE DELIVERY OF FREIGHT IN GOOD CONDITION.

Make Your Claim Promptly
Carrier Will Not Consider a Claim Unless Presented Within 9 Months After Receipt of Shipment.

IMPORTANT!

DO NOT DEDUCT THE AMOUNT OF LOSS OR DAMAGE from Pelco invoice while awaiting adjustment of a claim, as we can not guarantee safe delivery for actions beyond our control.

Please do not return goods to Pelco or instruct Carriers to return goods without first securing written authorization and shipping instructions.

SHIPMENTS MADE WITH DESTINATION AS F.O.B. POINT

-CARRIER HAS ACCEPTED SHIPMENT IN GOOD CONDITION-

CHECK YOUR SHIPMENT CAREFULLY WHEN DELIVERED to see that it is in good order and received complete.

When packages check short or are in damaged condition, have the carriers agent make notation of this fact on the freight bill or express receipt, and then require that he sign it.

Check your shipment immediately to make sure the contents agree with the Pelco packing list enclosed and to determine if any damage has occurred during transit.

Any shortages and or concealed damages MUST be reported to Pelco within 10 DAYS.

FAILURE TO COMPLY WITH THE FOREGOING IS REGARDED AS AN INDICATION THAT YOUR SHIPMENT HAS ARRIVED IN SATISFACTORY CONDITION AND THAT IT IS COMPLETE AS SHOWN ON OUR PACKING LIST.

Please do not return damaged goods to Pelco without first securing authorization and shipping instructions.

Pelco will make every effort possible to effect prompt correction of any short or damaged goods when claims are made within these guidelines.



320 W. 18th
Edmond, OK 73013
(405)340-3434 FAX:(405)340-3435

WARRANTY

General: All statements, technical information and recommendations contained in Pelco Product Brochures and Bulletins are based on tests Pelco believes to be reliable. However, the accuracy or completeness thereof is not guaranteed and the following is made in lieu of all warranties, expressed or implied:

Limited Warranty: Pelco's only obligations shall be to replace such quantity of the product proven to be defective.

Repair or replacement of any product will be made at Pelco's facilities. The extent of repair or replacement is at Pelco's discretion. Transportation to and from Pelco's facilities is the responsibility of the buyer.

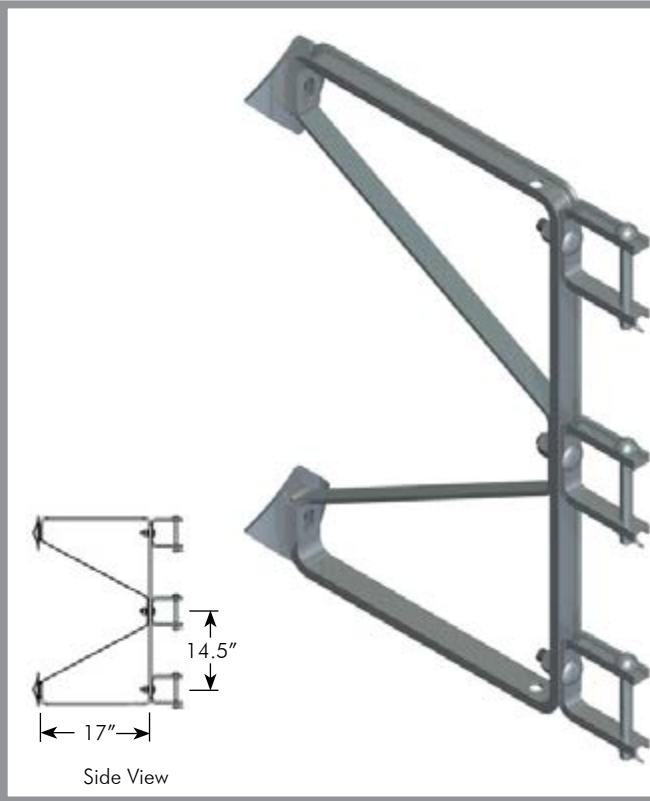
Pelco shall not be liable for injury, loss or damage direct or consequential arising out of the use of, or the inability to use the product. Before using, user shall determine the suitability of the product for his intended use, and assumes all risk and liability whatsoever in connection therewith. No statement or recommendation not contained herein shall have any effect unless in an agreement signed by the officers of Pelco Products Inc.

Warranty Period: Unless otherwise noted, standard product warranty is 12 months from date of shipment.

LED LUMINAIRE WARRANTY

Limited Warranty: LED luminaires with LED arrays feature a 5 year limited warranty covering the LED arrays. LED drivers are covered by a 5 year limited warranty. Pelco does not warrant the surge protection device, which is covered by the applicable warranty (if any) of the company that manufactures it. Surge protection devices have a defined useful life that is predicated upon the number of surge events and their magnitude, all of which is application and site specific. When the useful life of the surge device is reached, the device no longer provides surge protection to the downstream electronics. It is the end user's responsibility to provide periodic maintenance/replacement of all surge protection devices. Pelco's limited warranty does not provide coverage for product damage resulting from the end user's failure to replace surge protection devices before they have reached their useful life.

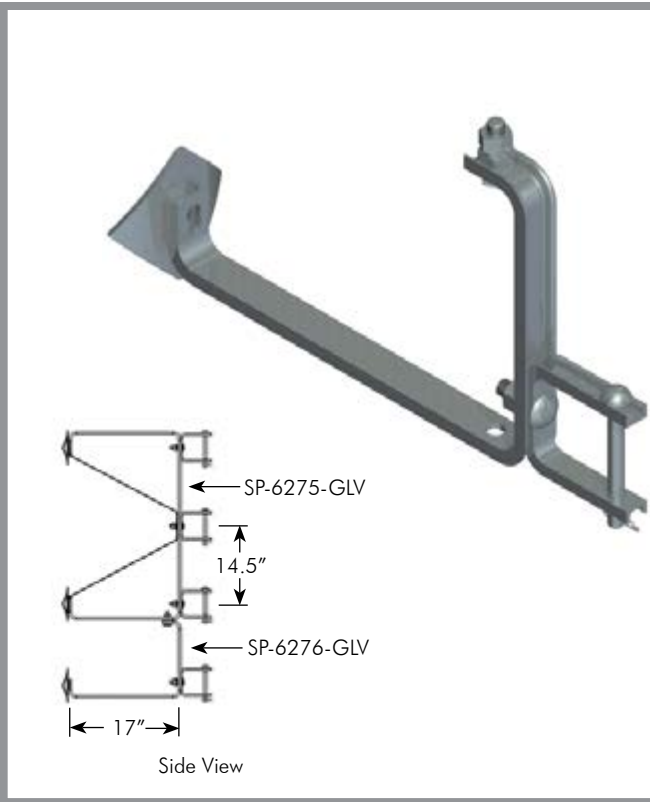
Contact Pelco for complete warranty details and exclusions.



**Stand-off Bracket, 18"
 Galvanized Steel
 For Triple Conduit Mount**

SP-6275-GLV

Triple mount conduit holder for wood pole. Supplied with three U-Channel brackets. Galvanized steel.



**Stand-off Bracket, ADA
 Galvanized Steel**

SP-6276-GLV

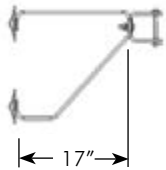
Used when a 4th conduit holder is required, by adding to the bottom of the SP-6275 Stand-off Bracket. Supplied with one U-Channel bracket. Galvanized steel.

Note: 1. Steel brackets are hot dipped galvanized per ASTM A123.
 2. All assemblies are supplied standard with galvanized fasteners.

Stand-off Bracket, NE Galvanized Steel For Single Conduit Mount

SP-6277-GLV

Single mount conduit holder for wood pole. Supplied with one U-Channel bracket. Galvanized steel.

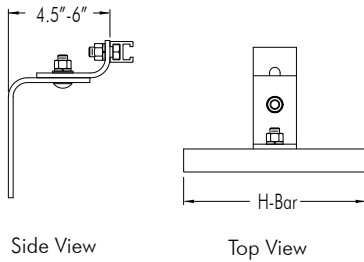


Side View

Note: 1. Steel brackets are hot dipped galvanized per ASTM A123.
2. All assemblies are supplied standard with galvanized fasteners.



Shown with a preformed conduit strap.



Conduit Stand-Off Bracket, w/ Adjustable Stand-Off & H-Bar, Alum

H-Bar Length
 SP-6042 - - PNC

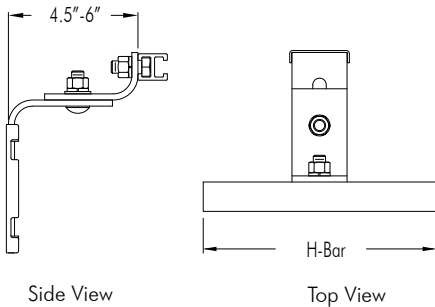
- Blank=None
- 06=6"
- 09.5=9-1/2"
- 12=12"
- 18=18"
- 24=24"
- 36=36"



This bracket is for mounting 1" through 6" conduit and can adjust from a 4½" to 6" stand-off. Available with various H-bar lengths which capture ½" bolt heads. Mounts to the pole with 5/8" thru-bolt or 1/2" lag screw. (not supplied).



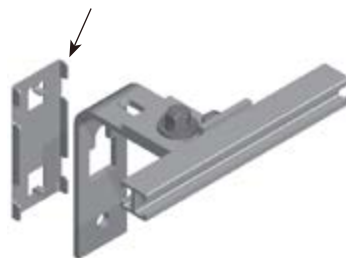
Shown with a preformed conduit strap.



Conduit Stand-Off Bracket w/ Adjustable Stand-Off & H-Bar, Alum for Wood, Steel, or Concrete Poles

SP-6045
 Band Retainer
 H-Bar Length
 SP-6046 - - PNC

- Blank=None
- 06=6"
- 09.5=9-1/2"
- 12=12"
- 18=18"
- 24=24"
- 36=36"



For mounting 1" through 6" conduit and can adjust from a 4-1/2" to 6" stand-off. Available with various H-Bar lengths which capture 1/2" bolt heads. Mounts to the pole with 5/8" thru-bolt, 1/2" lag screw, or banding material (not supplied).

Note: 1. All assemblies are supplied standard with galvanized fasteners.
 2. See page U1-5 for Preformed Conduit Straps.

This page is intentionally left blank.



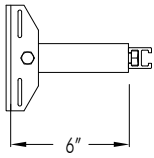
Shown with a preformed conduit strap.

Conduit Stand-Off Bracket w/ 6" Stand-Off & H-Bar, Alum for Wood, Steel, or Concrete poles

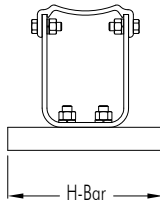


H-Bar Length
SP-6060 - - PNC

- Blank=None
- 06=6"
- 09.5=9-1/2"
- 12=12"
- 18=18"
- 24=24"
- 36=36"



Side View



Top View

A multi-purpose bracket with a 6" stand-off for mounting 1" through 6" conduit. Available with various standard H-bar lengths which capture 1/2" bolt heads. Mounts to the pole with 5/8" thru-bolt, 1/2" lag screw, or 1/2" banding material (not supplied).

Note: 1. All assemblies are supplied standard with galvanized fasteners.
2. See page U1-5 for Preformed Conduit Straps.

Conduit Stand-Off Bracket, Galvanized for Wood Poles, 1-1/4" x 1/8" Steel



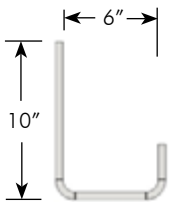
Conduit
Size
SP-6273 - - GLV
02=2"
03=3"
04=4"
05=5"
06=6"

For mounting 2" through 6" conduit. Bracket has 9/16" diameter holes for mounting to pole.

Conduit Stand-Off Bracket, Galvanized 2" Channel x 6" stand-off, Steel



SP-6347-GLV



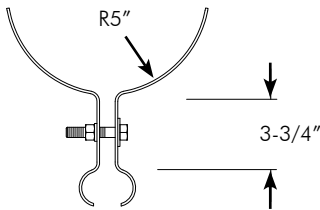
2" galvanized steel channel with a 6" stand-off for mounting conduit. Bracket has two 9/16" diameter holes for mounting to pole.

- Note: 1. Steel brackets are hot dipped galvanized per ASTM A123
2. All assemblies are supplied standard with galvanized fasteners.



Conduit Stand-Off Bracket, Galvanized for Wood Poles, 1-1/2" x 1/8" Steel

SP-6176-GLV

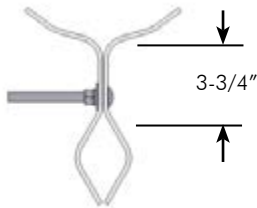


Two-piece galvanized steel bracket for mounting 1-1/4" conduit on Class 1 through Class 6 wood distribution poles. Provided with 1/2"-13NC hex hd bolt and hardware. Bracket has 5/8" diameter holes for mounting to pole.



Conduit Stand-Off Bracket, for Wood Poles, 2" x 1/4" Alum

SP-6345-PNC



Two-piece aluminum bracket for mounting 1-1/4" conduit on Class 1 through Class 6 wood distribution poles. Provided with 1/2"-13NC carriage bolt and hardware. Bracket has 5/8" diameter holes for mounting to pole.

This page is intentionally left blank.



2-Way Standard H-Bar, Alum
Captures 1/2" Bolt Heads

SP-6025 - - PNC

H-Bar Length

- 06=6"
- 09.5=9-1/2"
- 12=12"
- 18=18"
- 24=24"
- 30=30"
- 36=36"
- 48=48"
- 60=60"



SP-6025
 Standard H-Bar



SP-6048
 Offset H-Bar

2-Way Offset H-Bar, Alum
Captures 1/2" & 5/8" Bolt Heads

SP-6048 - - PNC

H-Bar Length

- 06=6"
- 09.5=9-1/2"
- 12=12"
- 18=18"
- 24=24"
- 30=30"
- 36=36"
- 48=48"
- 60=60"

Extruded aluminum H-bars can be used for a variety of mounting applications and can be ordered in various standard lengths. The standard 2-way H-bar is designed to capture 1/2" bolt heads. The offset 2-way H-bar is designed to capture 1/2" and 5/8" bolt heads.

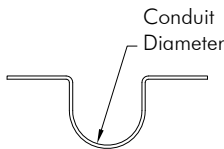


Preformed Conduit Strap, Alum
0.09" x 1-1/2" Alum
w/ 1-1/4" Long Bolts

SP-6027 - - PNC

Conduit Size

- 1=1"
- 1.5=1-1/2"
- 2=2"
- 2.5=2-1/2"
- 3=3"
- 4=4"
- 5=5"
- 6=6"



Preformed Conduit Strap, Alum
0.09" x 1-1/2" Alum
w/ 2" Long Bolts

SP-6049 - - PNC

Conduit Size

- 1=1"
- 1.5=1-1/2"
- 2=2"
- 2.5=2-1/2"
- 3=3"
- 4=4"
- 5=5"
- 6=6"

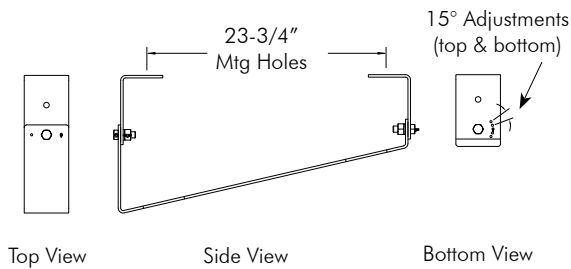
Preformed 0.09" x 1-1/2" straps available for 1" through 6" conduit. Each strap comes complete with (2) each galvanized hex head bolts, split lock washers, and hex nuts. Available with 1-1/4" or 2" long bolts.

Note: 1. All assemblies are supplied standard with galvanized fasteners.



**Switch Mounting Bracket,
Galvanized**
4-1/2" x 1/4" Steel
for Wood Poles

SP-6019-GLV

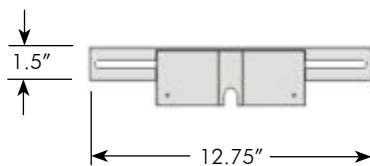


Three-piece galvanized steel mounting bracket. Designed to mount fuse and disconnect switches to a wood pole. Four adjustments on top and bottom in 15° increments.



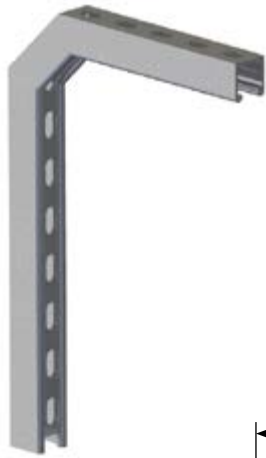
**Meter Mounting Bracket,
Galvanized**
for Wood Poles
3/16" Steel w/ 5/16" Slots

SP-6029-GLV



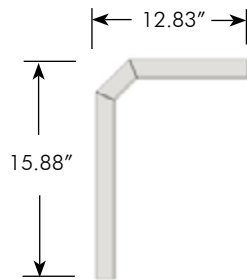
Steel bracket for mounting meter base on wood pole. Galvanized after fabrication.

- Note: 1. Steel brackets are hot dipped galvanized per ASTM A123
2. All assemblies are supplied standard with galvanized fasteners.



**Wire Protector Bracket,
Galvanized
1.67" x 1.65" x 1/4" Steel
for Wood Poles**

SP-6279-GLV

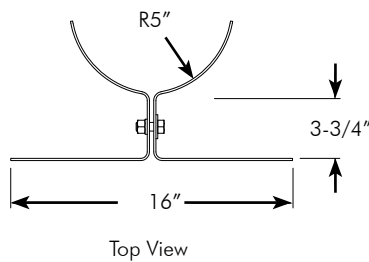


Protects the wire by running it inside the channel so it is not visible, acting as a theft deterrent.



**Meter Loop Cabinet Bracket,
Galvanized
for Wood Poles
1/8" Steel w/ 17/32" Slots**

SP-6175-GLV



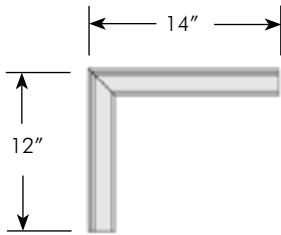
Two-piece galvanized steel mounting bracket. Designed to mount cabinet to Class 1 through Class 6 wood distribution poles. 5/8" diameter holes for mounting to pole.

Note: 1. Steel brackets are hot dipped galvanized per ASTM A123
2. All assemblies are supplied standard with galvanized fasteners.



**Wall Bracket, Horizontal Support,
Galvanized Steel
for Transformer Vault
2" x 2" x 1/4" Angle
w/ (4) 9/16" & (2) 11/16" Holes**

SP-6253-GLV

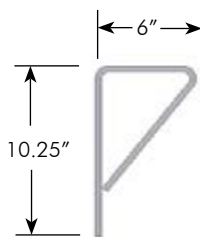


Used as a horizontal support in transformer vaults.
Galvanized after fabrication.



**Cutout Mounting Bracket,
Galvanized Steel
1-1/2" x 3/8" w/ (2) 11/16" Holes**

SP-6004-GLV



Attaches to the A26 vertical support brace to
provide a point of attachment for cutouts on a 17'
2 pole platform bank. Three brackets required per
station. Galvanized after fabrication.

Note: 1. Steel brackets are hot dipped galvanized per ASTM A123

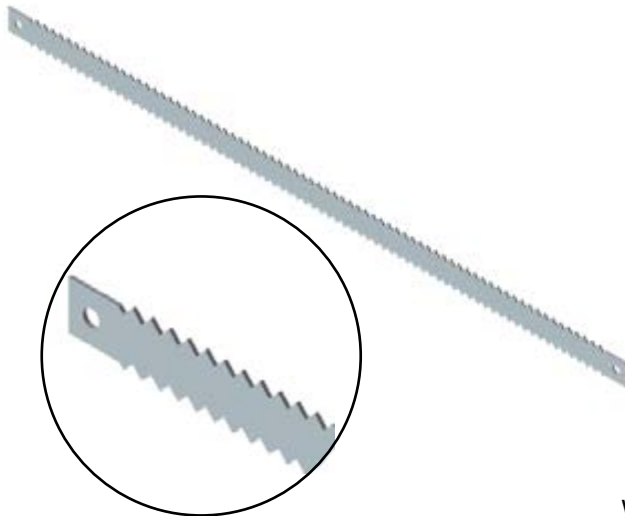
**Mounting Bracket, Steel
for Group Operated Switch
7" Channel x 16" w/ (4) 11/16" Holes**



SP-6132-GLV

Group operated switch mounting.
Galvanized after fabrication.

**Guard, Anti-Climbing,
Galvanized Steel
1-15/16" x 48" x 10 Ga Steel**



SP-6274-GLV

Works in conjunction with the conduit Stand-off
Brackets to prevent individuals from climbing poles.
Galvanized after fabrication.

Note: 1. Steel brackets are hot dipped galvanized per ASTM A123

**Angle Brace, Galv Steel
for Wood Crossarm
1-1/2" x 1-1/2" x 1/4"
w/ 9/16" & 11/16" Hole**

SP-6260-GLV



Angle brace for wood crossarm.
Galvanized after fabrication.

Note: 1. Steel brackets are hot dipped galvanized per ASTM A123



Relay Mounting Panel, Galv Steel
2-3/4" x 5-1/2" x 12 Ga Steel
w/ (4) 6-32NC, (2) 10-32NC & (2) 1/4" Holes

SP-6278-GLV



Mounting Angle, Galv Steel
1" x 2" x 4-1/4"

SP-6280-GLV



Adapter Clip, Galv Steel
1/2" x 1-3/8" w/ 3/16" Holes


SP-6281-GLV

Note: 1. See Reference Section for available paint colors.



Shown with terminator.

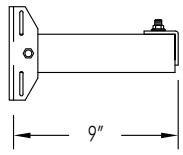
Bolted Equipment Mount, Alum Single-Phase, Single Mount

Insulator Pad
SP-6057 -  - PNC

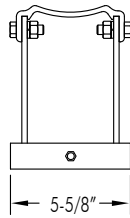
BP=Bent
SP=Straight



Bent Insulator Pad Straight Insulator Pad



Side View



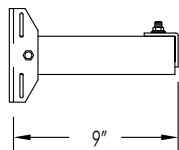
Top View

For mounting single cutouts, lightning arresters, or potheads. Mounts to pole with 5/8" thru-bolt and 1/2" lag screw (*not supplied*). Two units may be mounted back-to-back on pole using same thru-bolt.

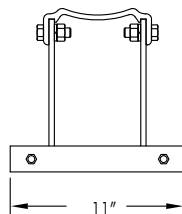


Bolted Equipment Mount, Alum Single-Phase, 2-piece Mount

SP-6088-PNC



Side View



Top View

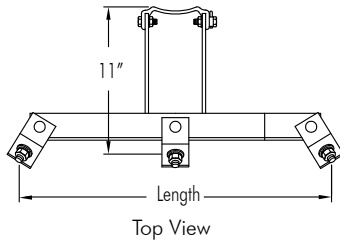
For mounting two pieces of equipment. Mounts to pole with 5/8" thru-bolt, 1/2" lag screw or 1-1/2" banding material (*not supplied*). Two units may be mounted back-to-back on pole using same thru-bolt.

- Note: 1. All assemblies are supplied standard with galvanized fasteners.
2. See pages U1-21 through U1-23 for banding material.



Bolted Equipment Mount, Alum Three-Phase, 3-piece Mount

Length
 SP-6064 - - PNC
 23=23-1/4"
 33=33-1/2"

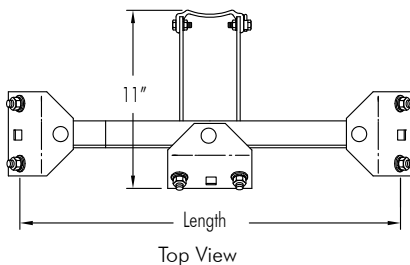


For mounting 3 pieces of equipment: potheads, arrestors, and cable terminators. Supplied with grounding lug, galvanized bolts, lock washers and nuts. Mounts to pole with 5/8" thru-bolt, 1/2" lag screw or 1/2" banding material (*not supplied*).



Bolted Equipment Mount, Alum Three-Phase, 6-piece Mount

Length
 SP-6065 - - PNC
 24=24-3/4"
 35=35"



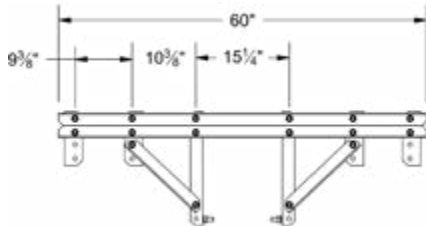
For mounting 6 pieces of equipment: potheads, arrestors, and cable terminators. Supplied with grounding lug, galvanized bolts, lock washers, and nuts. Mounts to pole with 5/8" thru-bolt, 1/2" lag screw or 1/2" banding material (*not supplied*).

Note: 1. All assemblies are supplied standard with galvanized fasteners.
 2. See pages U1-21 through U1-23 for banding material.



**Arrestor Mount Bracket, Alum
Three-Phase, Load Side**

SP-6324-PNC

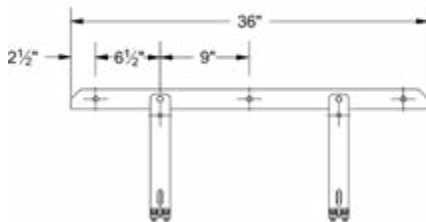


Three phase load side arrester frame for mounting reclosures.



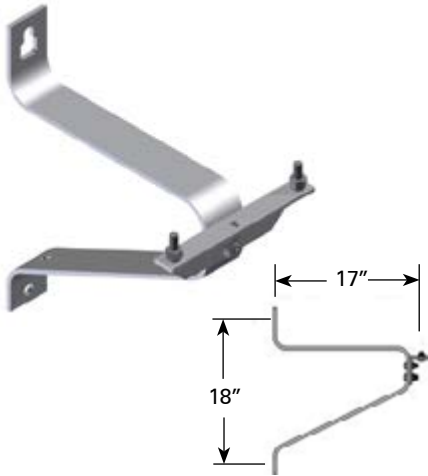
**Arrestor Mount Bracket, Alum
Three-Phase, Line Side**

SP-6325-PNC



Three phase line side arrester frame for mounting reclosures.

Note: 1. Arrester mount brackets are supplied standard with stainless steel fasteners.



Bolted Equipment Mount, Alum Single-Phase

SP-6092-PNC

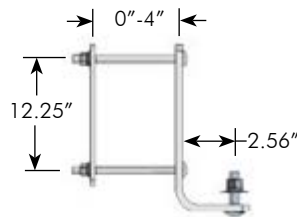
For mounting individual cutouts and arrestors at a distance of 17" from the pole. A 5/8" thru-bolt (not supplied) is recommended for installation. Two units may be mounted back-to-back on the pole using the same thru-bolt.



Arrestor Mounting Bracket, Steel 1-1/4" x 12-1/4" w/ 1/2"-13NC Hardware

SP-6346-GLV

For mounting individual arrestors at a distance of 2-3/8" from the pole. Two 9/16" slots are for adjustable mounting to the pole. Supplied with 1/2"-13NC hardware.



Cross Arm Bracket, Steel w/ Galvanized Hardware

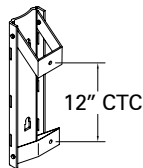
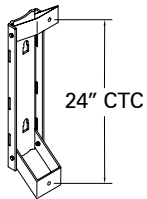
SP-6354-GLV

The 90° L-shaped bracket is 3/8" x 1-1/4" galvanized steel which can be adjusted from 0"-4" from the 1/4" thick mounting bar using the 3/8"-16NC tap bolts. Supplied with 1/2"-13NC x 2" carriage bolt, flatwasher, lock washer, and nut.

Note: 1. All assemblies are supplied standard with galvanized fasteners.

Transformer Mounting Bracket Alum

SP-6157-PNC



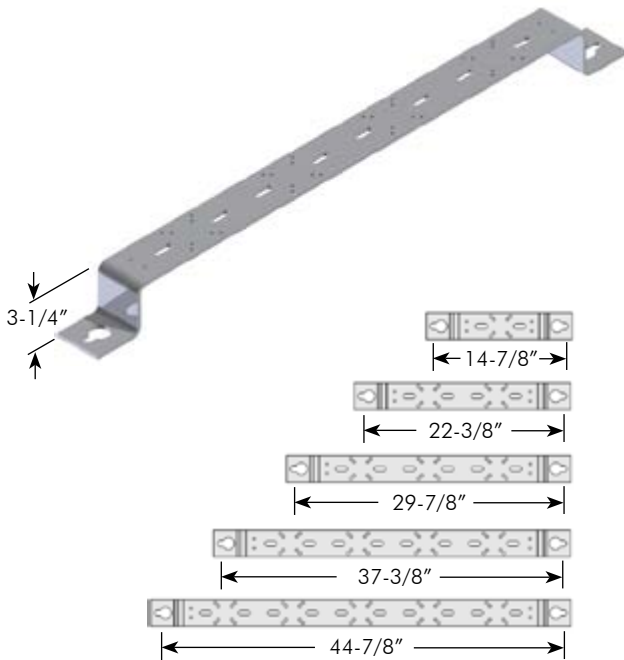
For mounting one 3KVA thru 100KVA transformer, having 12" or 24" EEI-NEMA type A or B lugs. Mounts to pole with 5/8" thru-bolts, 1/2" lag screw, or three 1-1/2" bands (not supplied).

Mounting Bracket, Alum Current or Voltage Transformers

SP-6283 - - PNC

Current or
Voltage
Transformers

- 1=for 1 CT or VT
- 2=for 2 CT or VT
- 3=for 3 CT or VT
- 4=for 4 CT or VT
- 5=for 5 CT or VT



For mounting one through five current or voltage transformers. 1/4" x 3" bracket with 3-1/4" offset and 9/16" keyhole mounting slots on each end.

Note: 1. All assemblies are supplied standard with galvanized fasteners.
2. See pages U1-21 through U1-23 for banding material.



Antenna Mount Assy, Alum Serrated Articulating Elbow & Tube Saddle

Tube Length
SP-6338 - - PNC
12=12" Tube

Adjustable assembly with a 1-7/8" OD gusseted tube for mounting antennas. Articulating elbow and saddle have serrated teeth that provide for locking the tube position after adjustment. 3/8"-16NC hardware provided for mounting the hub plate.



Meter Base Frame Aluminum 30" x 84"

Coating
SP-6357-PNC

PNC=Process No Color
P__=Paint

Fabricated from 1-1/2" sch 80 aluminum pipe and 2" angle. Complete with mounting holes and 1/2"-13 tapped hole for grounding lug. Typically processed with no color, but powder coating is available.

Note: 1. See Reference Section for available paint colors.



Blade Adapter, 2-Hole Stainless Steel for Line Post Insulators

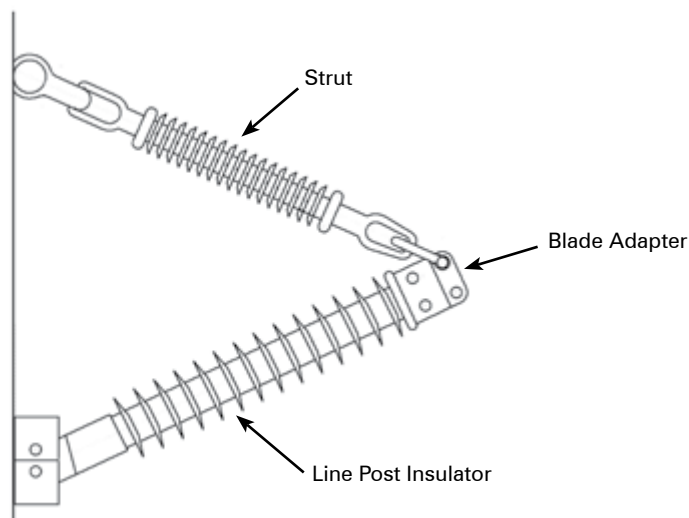


SP-6221-SS

Features:

- Easy to install, no special tools needed
- Stronger, more secure power line mounting
- Avoid costly line drops and post insulator replacement
- Resistant to damage from wear, corrosion and vandalism

The Insulator Blade Adapter is durable and easy to install. Instead of replacing the entire insulator, simply clamp the stainless steel Adapter over the damaged aluminum blade. The Blade Adapter is secured by stainless steel bolts, belleville washers, and jam nuts for a solid mounting system. The entire process takes less than five minutes, and can be done by one person.



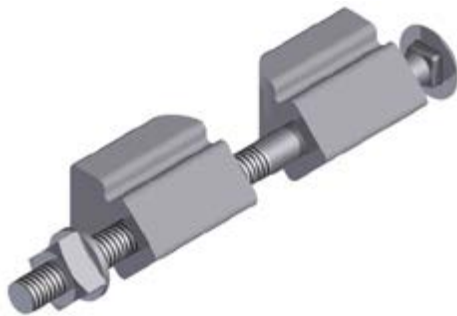
Side View

Note: 1. All assemblies are supplied standard with stainless steel fasteners.



Shown with band (sold separately).

Retainer Kit, EZ-Band Alum w/ Galv Hardware Standard Duty for 3/4" Band



US-8500- Coating
 PNC=Process No Color
 P__=Paint

Extruded aluminum fittings with galvanized hardware. To be used with 3/4" banding for mounting brackets to poles. Included 3/4"-16 x 6" galvanized carriage bolt, flat washer and square nut.



Shown with band (sold separately).

Retainer Kit, EZ-Band Alum w/ Galv Hardware Heavy Duty for 1-1/4" Band



US-8504- Coating
 PNC=Process No Color
 P__=Paint

Extruded aluminum fittings with galvanized hardware. To be used with 1-1/4" banding for mounting brackets to poles. Included 5/8"-11 x 8" galvanized carriage bolt, flat washer and square nut.

Note: 1. All assemblies are supplied standard with galvanized fasteners.
 2. See pages U1-21 through U1-23 for banding material.

Catalog Number	Width		Thickness		Weight	
	Inches	mm	Inches	mm	Lbs	Kg
TYPE 201 STAINLESS STEEL BAND - 100 Ft. Per Roll						
US-8122-04	1/2	12.70	0.030	0.76	5.1	2.4
US-8122-05	5/8	15.88	0.030	0.76	6.4	3.0
US-8122-06	3/4	19.05	0.030	0.76	7.7	3.6

TYPE 316 STAINLESS STEEL BAND - 100 Ft. Per Roll						
US-8124-04	1/2	12.70	0.030	0.76	5.1	2.4
US-8124-05	5/8	15.88	0.030	0.76	6.4	3.0
US-8124-06	3/4	19.05	0.030	0.76	7.7	3.6

HEAVY DUTY (HD) BANDING

Heavy Duty Band is available in type 201. HD Band is designed for heavy duty applications and 1-1/4", 201 stainless steel band has a breaking strength of approximately 5500 lbs. We recommend double wrapping for maximum strength.

Catalog Number	Width		Thickness		Weight	
	Inches	mm	Inches	mm	Lbs	Kg
TYPE 201 HEAVY DUTY STAINLESS STEEL BAND - 100 Ft. Per Roll						
US-8124-30	3/4	19.05	0.044	1.12	11.6	5.4
US-8124-31	1	25.40	0.044	1.12	13.7	6.4
US-8124-32	1-1/4	31.75	0.044	1.12	17.2	8.0



BAND-STRAP .024" (.061mm) THICK - 200 - 300 Stainless Steel

Catalog Number	Width		Weight		Package Quantity
	Inches	mm	Lbs	Kg	
US-8121-34	1/2	12.70	4.08	1.85	100 Ft. Roll
US-8121-35	5/8	15.88	5.09	2.31	100 Ft. Roll
US-8121-36	3/4	19.05	6.11	2.77	100 Ft. Roll
US-8121-28	1/2	12.70	8.15	3.70	200 Ft. Roll
US-8121-29	5/8	15.88	10.19	4.62	200 Ft. Roll
US-8121-30	3/4	19.05	12.23	5.54	200 Ft. Roll

BAND TOOL

The USA BAND TOOL is a forged double-plated tool capable of tensioning over 2400 lbs. The banding tool has a built-in cutter and a spring loaded gripper lever. The spin handle has a large retaining ring to keep the handle in place and can be used to hang on a tool belt.

Catalog Number	Description
US-8120-01	The USA Band Tool, Wt. 4.4 lbs (2.0 kg) - Package Quantity 1
US-8120-43	Close Quarter Tension Nut. Replaces tool tension handle when space is limited. Package Quantity 1
US-8120-06	Tension Screw/Handle kit - Package Quantity 1



HEAVY DUTY BAND TOOL

The Heavy Duty TOOL must be used with all Heavy Duty Bands. The HD TOOL is 16-1/2 inches long and is capable of up to 6,000 lbs. of tensioning.

Catalog Number	Description
US-8121-10	The Heavy Duty Tool, Wt 11.7 lbs (5.3 Kg) - Package Quantity 1

BUCKLES

Catalog Number	Width		Weight	
	Inches	mm	Lbs	Kg

TYPE 201 STAINLESS STEEL BUCKLES - Package Quantity 100

US-8122-54	1/2	12.70	2.1	1.0
US-8122-55	5/8	15.88	2.4	1.1
US-8122-56	3/4	19.05	3.7	1.7

TYPE 316 STAINLESS STEEL BUCKLES - Package Quantity 100

US-8124-54	1/2	12.70	2.1	1.0
US-8124-55	5/8	15.88	2.4	1.1
US-8124-56	3/4	19.05	3.7	1.7

GALVANIZED CARBON STEEL BUCKLES - Package Quantity 100

US-8123-54	1/2	12.70	2.1	1.1
US-8123-55	5/8	15.88	2.4	1.1
US-8123-56	3/4	19.05	3.7	1.7

HEAVY DUTY BUCKLES

HD Buckles are offered in widths and metals to correspond to HD Band. Clamps may be double wrapped for extra strength.

Catalog Number	Width		Weight	
	Inches	mm	Lbs	Kg

TYPE 201/301 STAINLESS STEEL - Package Quantity 25

US-8124-40	3/4	19.05	1.8	0.8
US-8124-41	1	25.40	2.4	1.1
US-8124-42	1-1/4	31.75	3.2	1.4



BAND CLIPS

Catalog Number	Width		Weight	
	Inches	mm	Lbs	Kg

TYPE 201 STAINLESS STEEL BAND CLIPS - Package Quantity 100

US-8121-54	1/2	12.70	2.1	1.0
US-8121-55	5/8	15.88	2.4	1.1
US-8121-56	3/4	19.05	3.7	1.7



A-SCREW LOCK BUCKLES - Stainless Steel

Catalog Number	Width		Weight		Package Quantity
	Inches	mm	Lbs	Kg	

US-8127-24	1/2	12.70	2.1	1.0	25
US-8127-25	5/8	15.88	2.4	1.1	25
US-8127-26	3/4	19.05	3.7	1.7	25

Width Inches	Thick	201		316		Thick	Force	Thick	Force	Thick	Force
		Force	Force	Force	Force						
1/2	0.030	1500	1200	0.015	600	0.020	850	0.025	1050	-	-
5/8	0.030	1875	1500	0.015	750	-	-	-	-	-	-



SIGN MOUNTING BRACKETS

Catalog Number	Description	Weight	
		Lbs	Kg
1-BOLT STRAIGHT LEG BRACKET (.075" THICK) - Package Quantity 50			
US-8121-00	Stainless Steel with SS Bolt, Washer and Fiber Washer	7.3	3.3
US-8120-04	Stainless Steel without Bolt or Washer		
US-8120-11	Zinc Plated Steel with Carbon Bolt, Washer and Fiber Washer	7.6	3.5
1-BOLT FLARED LEG BRACKET (.075" THICK) - Package Quantity 50			
US-8120-21	Stainless Steel with SS Bolt and Washer	7.6	3.5
US-8120-31	Zinc Plated Steel with Carbon Bolt, Washer and Fiber Washer	7.4	3.4



BOLTS, WASHERS for BRACKETS - 50 Per Box

Catalog Number	Description
US-8120-02	Bolts Stainless Steel for Stainless Brackets (5/16 - 18 x 3/4" Long Hex Head)
US-8121-80	Bolts Zinc Plated Steel for Carbon Steel Brackets (5/16 - 18 x 3/4" Long Hex Head)
US-8120-03	Fiber Washers



MOUNTING PLATES - Per Each - Secure with band and buckles.

Strapping holds this extruded aluminum mounting plate to utility poles.

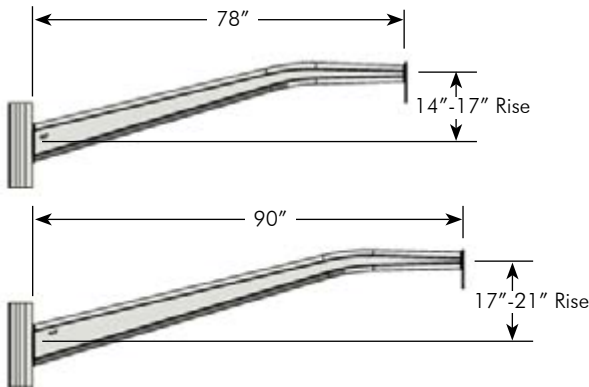
Catalog Number	Description	Weight Lbs/Ea
US-8125-10	Light Duty, 1-1/2" x 4-3/4" w/ 5/8"-11 x 2" Plated Bolt	0.57
US-8125-12	Heavy Duty, 1-1/2" x 5-1/4" w/ 5/8"-11 x 2" Plated Bolt	0.78
US-8125-11	Heavy Duty, 1-1/2" x 5-1/4" w/ 5/8"-11 x 3" Plated Bolt	0.84
US-8125-13	Heavy Duty, 1-1/2" x 5-1/4" w/ 3/4"-11 x 3" Plated Bolt	1.22





Davit Arm Galvanized Steel For Steel and Wood Poles

Length
 SP-6312 - - GLV
 78=6-1/2'
 90=7-1/2'



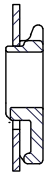
The phase attachment on the heavy duty davit arms have 1-1/2" holes with a tear-out capacity of 40,000 lbs. The mounting plate has three 1-1/8" holes and one 1-1/8" x 1-1/2" slot that will allow mounting to steel or wood poles. Available in 6'-6" and 7'-6" lengths. All critical welds per ASTM E709 in conjunction with ANSI/AWS D1.1.

Note: 1. Davit Arms are hot dip galvanized per ASTM A-123.

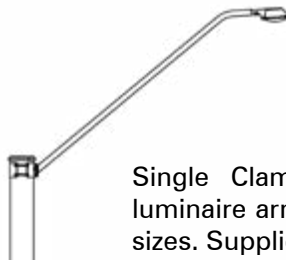
Luminaire Mast Arm Clamp, Single 2-Piece Adjustable w/ Simplex Fitting, Galvanized Steel



AP-1009-GLV for 4" to 5" Dia Pole
AP-1028-GLV for 5.5" to 7.5" Dia Pole
AP-1011-GLV for 8" to 10" Dia Pole

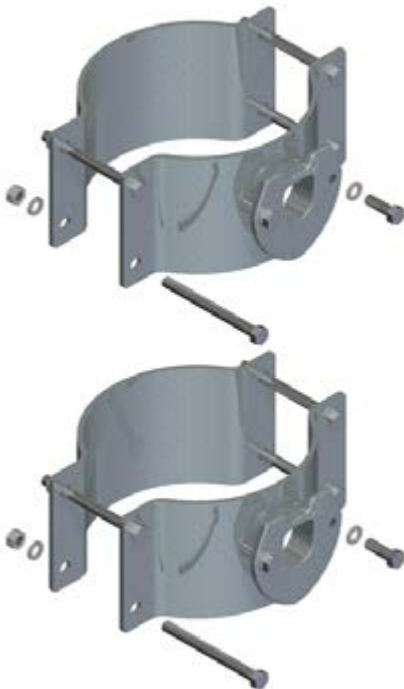


Clamp
Section



Single Clamp with simplex fitting for mounting luminaire arms to steel or wood poles. Available in 3 sizes. Supplied with galvanized hardware.

Luminaire Mast Arm Clamp, Set of 2 2-Piece Adjustable w/ Simplex Fitting, Galvanized Steel



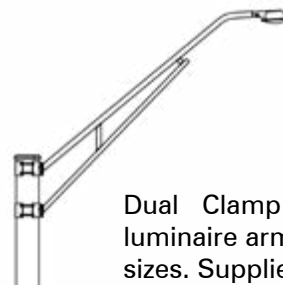
AP-1014-GLV for 4" to 5" Dia Pole
AP-1030-GLV for 5.5" to 7.5" Dia Pole
AP-1023-GLV for 8" to 10" Dia Pole



Upper
Section



Lower
Section



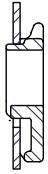
Dual Clamp with simplex fitting for mounting luminaire arms to steel or wood poles. Available in 3 sizes. Supplied with galvanized hardware.

Note: 1. Luminaire Clamps are hot dip galvanized per ASTM A-123.
2. All assemblies are supplied with Galvanized Hardware.

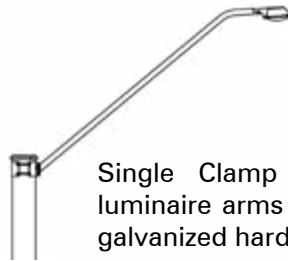
Luminaire Mast Arm Clamp, Single 3-Piece Adjustable, Steel



AP-1008-GLV for 8.9" to 12" Dia Pole



Clamp
 Section

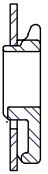


Single Clamp with simplex fitting for mounting luminaire arms to steel or wood poles. Supplied with galvanized hardware.

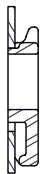
Luminaire Mast Arm Clamp, Set of 2 3-Piece Adjustable, Steel



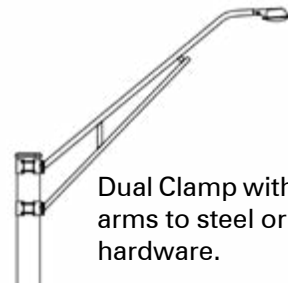
AP-1032-GLV for 8.9" to 12" Dia Pole



Upper
 Section



Lower
 Section



Dual Clamp with simplex fitting for mounting luminaire arms to steel or wood poles. Supplied with galvanized hardware.

Note: 1. Luminaire Clamps are hot dip galvanized per ASTM A-123.
 2. All assemblies are supplied with Galvanized Hardware.

Pole Cap Assembly ABS Plastic



Coating
AP-0805- fits up to 4" Dia Pole

AP-0806- fits up to 5" Dia Pole

PNC=Process No Color
P__=Paint

Fabricated from UV inhibited black ABS Plastic, but also available wet painted. Two sizes to chose from. Assembled complete with three square head set screws.

Cover, Simplex Fitting, 2-Bolt ABS Plastic



Coating
AP-1047-

PNC=Process No Color
P__=Paint

Fabricated from UV inhibited black ABS, but also available wet painted. Attaches to 2-bolt simplex fittings to prevent birds from nesting in the pole. Assembled complete with two black nylon bolts.

Note: 1. Pole Cap assemblies are supplied standard with stainless steel fasteners.
2. See Reference Section for available paint colors.



Hand Hole Cover Assy, Universal ABS Plastic

Fits 2-3/4" x 4-1/2" to 5" x 8" Hand Hole

PB-5356-PNC

Pelco's Universal Hand Hole Cover is fabricated from durable UV inhibited copolymer with gray acrylic ultraviolet protector. Impact resistant, withstands temperature extremes of -76° to +150°. No scrap value and is a significant deterrent to theft. Complete assembly; ready to install.



Hand Hole Cover Assy, Galvanized Steel

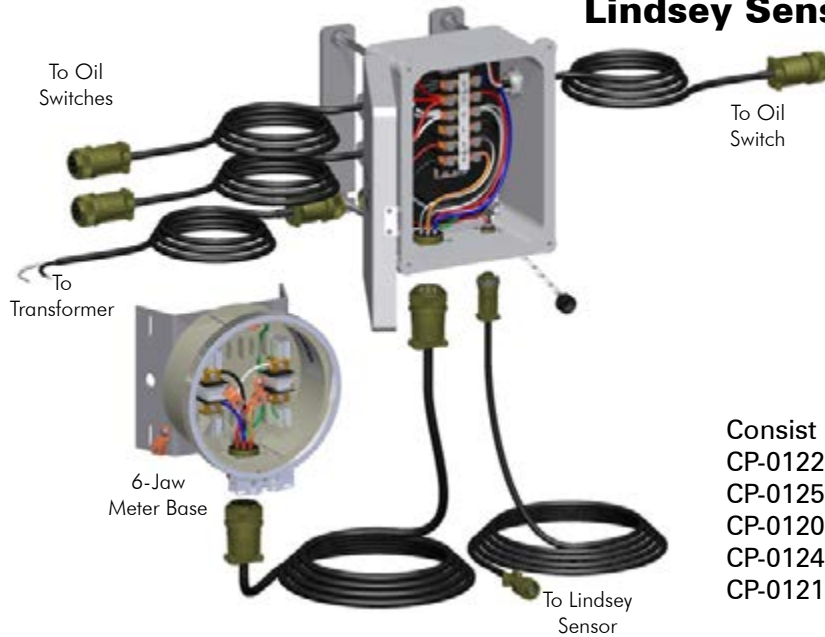
AP-1090-GLV fits 4" x 6" Hand Hole

AP-1091-GLV fits 5" x 8" Hand Hole

Pelco's galvanized steel Hand Hole Cover is available in 2 sizes. If required cover can be powder coated over galvanized steel. Complete assembly; ready to install.

Note: 1. All Hand Hole assemblies are supplied standard with stainless steel fasteners.

Capacitor Bank Junction Box Assy w/ Meter Base, Transformer Cable & Lindsey Sensor Cable

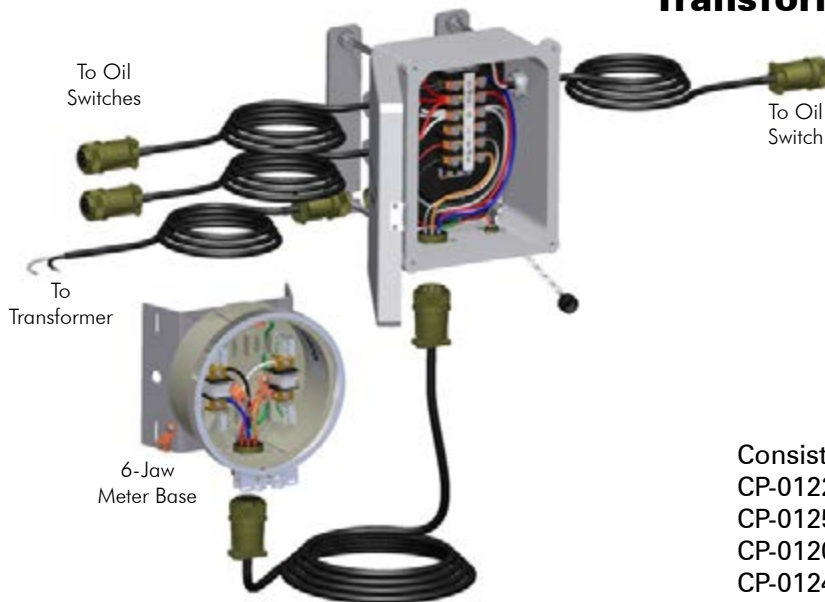


CP-0135-PNC

Consist of:

- CP-0122-PNC Capacitor Bank Junction Box
- CP-0125-PNC Transformer Cable
- CP-0120-PNC 6-Jaw Meter Base
- CP-0124-PNC Meter Base Cable
- CP-0121-PNC Lindsey Sensor Cable

Capacitor Bank Junction Box Assy w/ Oil Switch Cables, Meter Base & Transformer Cable



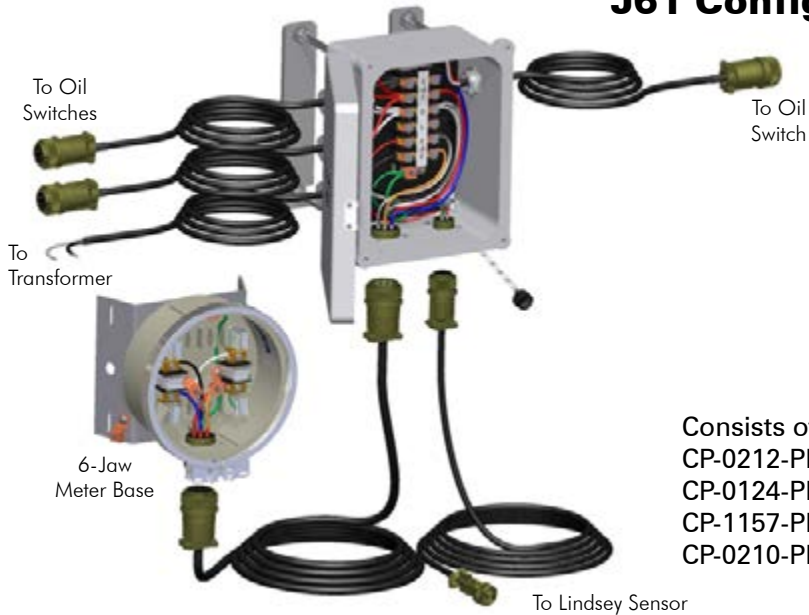
CP-0123-PNC

Consist of:

- CP-0122-PNC Capacitor Bank Junction Box
- CP-0125-PNC Transformer Cable
- CP-0120-PNC 6-Jaw Meter Base
- CP-0124-PNC Meter Base Cable

Note: 1. All junction box assemblies are weather-resistant.
2. All assemblies are supplied standard with stainless steel fasteners.

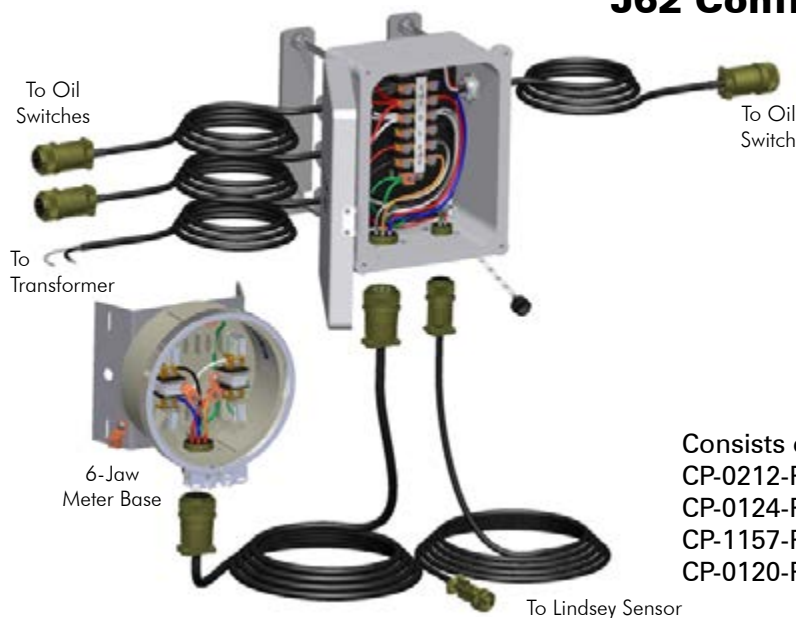
Capacitor Bank Junction Box Assy w/ Meter Base & Lindsey Sensor Cable J61 Configuration



CP-0209-LS-J61-PNC

Consists of:
CP-0212-PNC Capacitor Bank Junction Box
CP-0124-PNC Meter Base Cable
CP-1157-PNC Lindsey Sensor Cable
CP-0210-PNC 6-Jaw Meter Base, J61 Configuration

Capacitor Bank Junction Box Assy w/ Meter Base & Lindsey Sensor Cable J62 Configuration

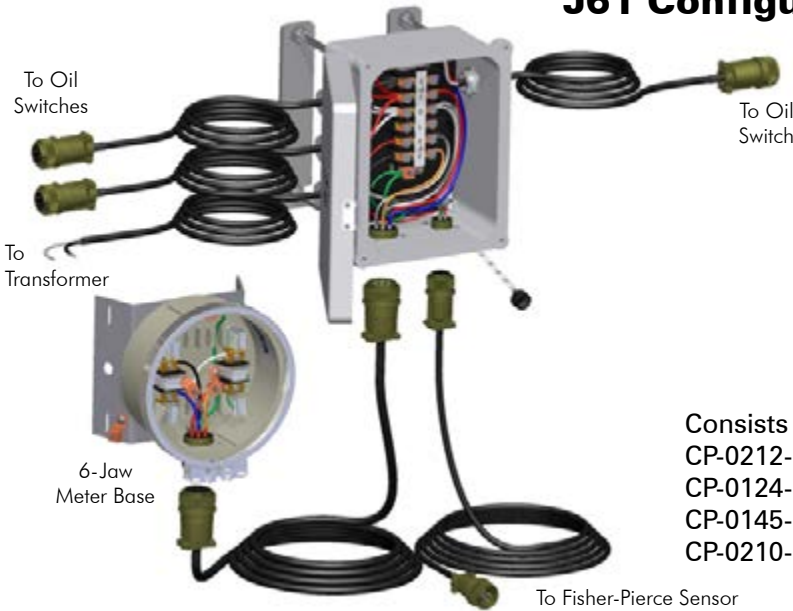


CP-0209-LS-J62-PNC

Consists of:
CP-0212-PNC Capacitor Bank Junction Box
CP-0124-PNC Meter Base Cable
CP-1157-PNC Lindsey Sensor Cable
CP-0120-PNC 6-Jaw Meter Base, J62 Configuration

Note: 1. All junction box assemblies are weather-resistant.
2. All assemblies are supplied standard with stainless steel fasteners.

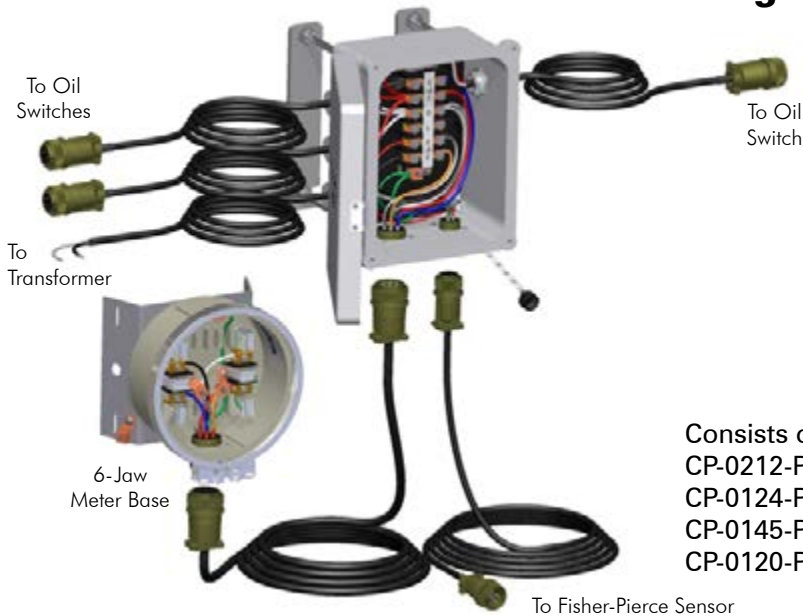
Capacitor Bank Junction Box Assy w/ Meter Base & Fisher Pierce Sensor Cable J61 Configuration



CP-0209-FP-J61-PNC

Consists of:
 CP-0212-PNC Capacitor Bank Junction Box
 CP-0124-PNC Meter Base Cable
 CP-0145-PNC Fisher-Pierce Sensor Cable
 CP-0210-PNC 6-Jaw Meter Base, J61 Configuration

Capacitor Bank Junction Box Assy w/ Meter Base & Fisher Pierce Sensor Cable J62 Configuration

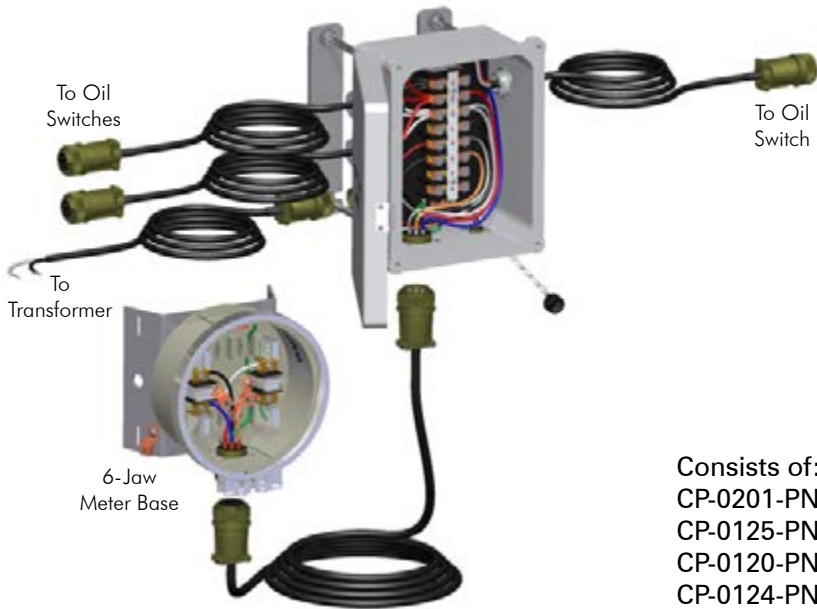


CP-0209-FP-J62-PNC

Consists of:
 CP-0212-PNC Capacitor Bank Junction Box
 CP-0124-PNC Meter Base Cable
 CP-0145-PNC Fisher-Pierce Sensor Cable
 CP-0120-PNC 6-Jaw Meter Base, J62 Configuration

Note: 1. All junction box assemblies are weather-resistant.
 2. All assemblies are supplied standard with stainless steel fasteners.

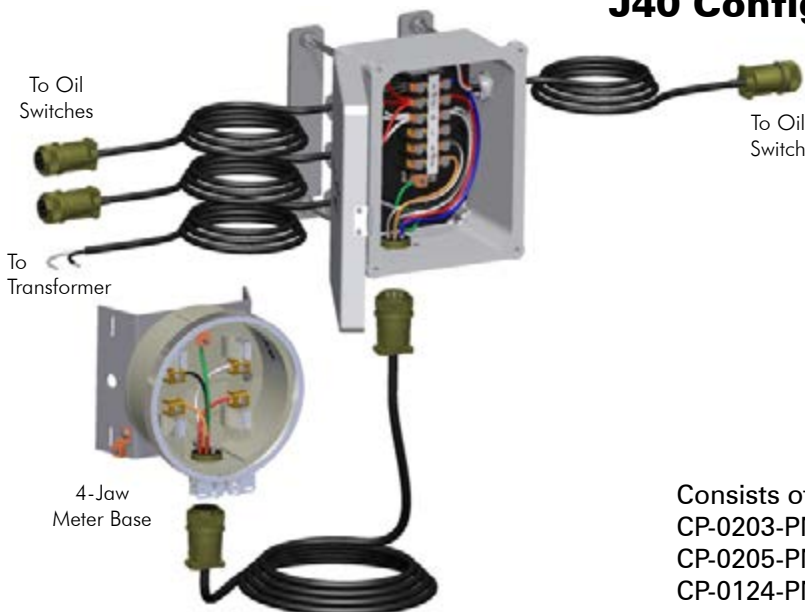
Capacitor Bank Junction Box Assy w/ Meter Base & Transformer Cable



CP-0200-PNC

Consists of:
CP-0201-PNC Capacitor Bank Junction Box
CP-0125-PNC Transformer Cable
CP-0120-PNC 6-Jaw Meter Base
CP-0124-PNC Meter Base Cable

Capacitor Bank Junction Box Assy w/ Meter Base & Transformer Cable for J40 Configuration

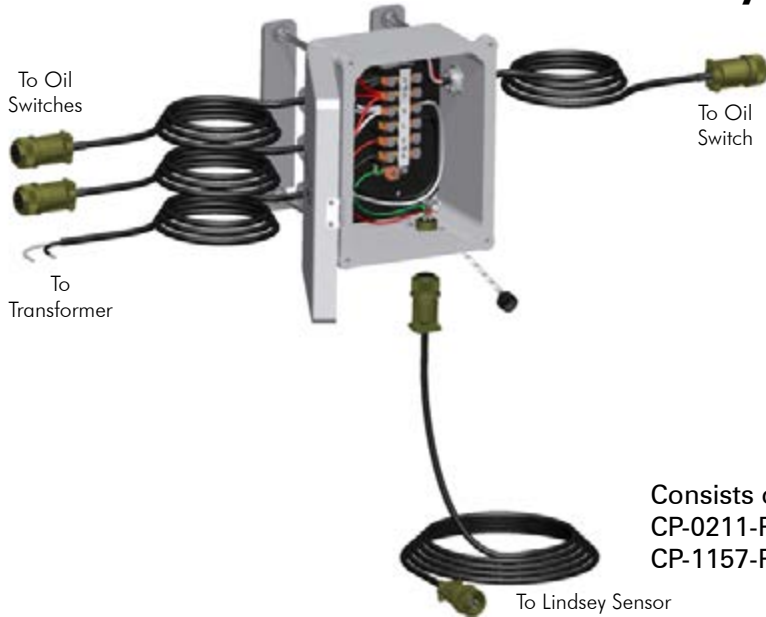


CP-0202-PNC

Consists of:
CP-0203-PNC Capacitor Bank Junction Box
CP-0205-PNC 4-Jaw Meter Base
CP-0124-PNC Meter Base Cable

Note: 1. All junction box assemblies are weather-resistant.
2. All assemblies are supplied standard with stainless steel fasteners.

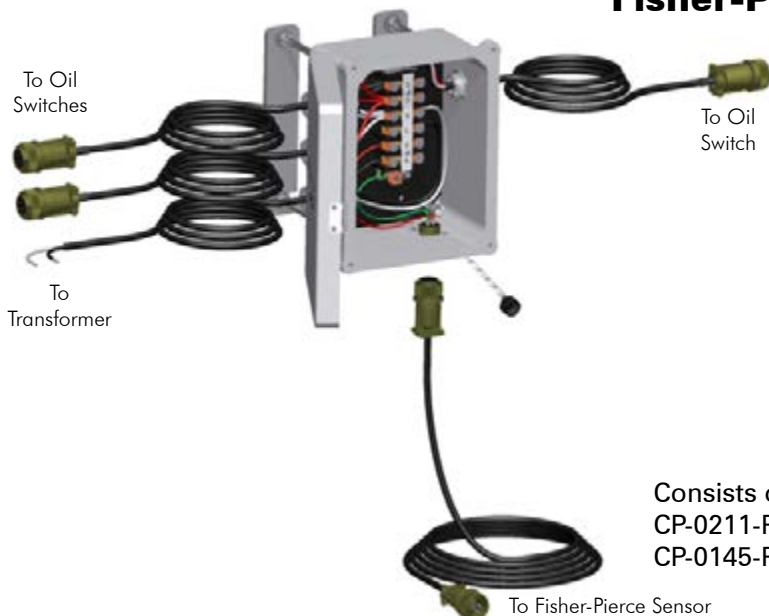
Capacitor Bank Junction Box Assy w/ Oil Switch Cables & Lindsey Sensor Cable



CP-0208-LS-PNC

Consists of:
 CP-0211-PNC Capacitor Bank Junction Box
 CP-1157-PNC Lindsey Sensor Cable

Capacitor Bank Junction Box Assy w/ Oil Switch Cables & Fisher-Pierce Sensor Cable



CP-0208-FP-PNC

Consists of:
 CP-0211-PNC Capacitor Bank Junction Box
 CP-0145-PNC Fisher-Pierce Sensor Cable

Note: 1. All junction box assemblies are weather-resistant.
 2. All assemblies are supplied standard with stainless steel fasteners.

Capacitor Bank Junction Box Assy w/ Oil Switch Cables 6-Circuit Terminal Strip



CP-0122-PNC

Cross arm mount. Supplied with a 6-circuit terminal strip, oil switch cables, and Mil-Spec connectors for sensor cable and meter base.

Capacitor Bank Junction Box Assy w/ Oil Switch Cables 6-Circuit Terminal Strip & Transformer Cable

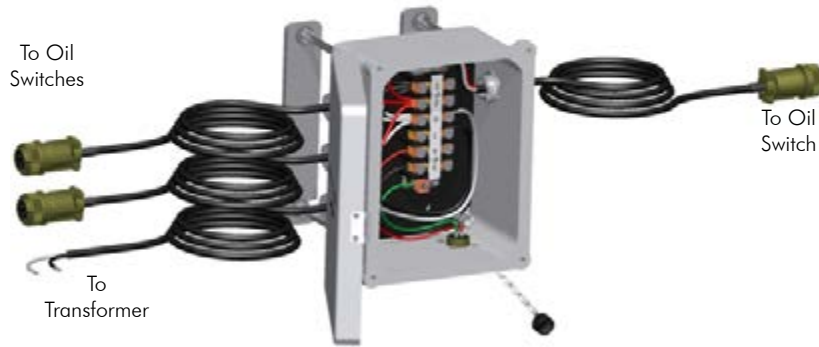


CP-0207-PNC

Cross arm mount. Supplied with a 6-circuit terminal strip, oil switch cables, and transformer cable. No provisions for sensor cable or meter base.

Note: 1. All junction box assemblies are weather-resistant.
2. All assemblies are supplied standard with stainless steel fasteners.

Capacitor Bank Junction Box Assy w/ Oil Switch & Transformer Cables & Sensor Current Connector



CP-0211-PNC

Cross arm mount. Supplied with a 6-circuit terminal strip, oil switch cables, transformer cable and Mil-Spec connectors for sensor cable. No provision for meter base.

Capacitor Bank Junction Box Assy w/ Oil Switch & Transformer Cables & Sensor Current Connector



CP-0212-PNC

Cross arm mount. Supplied with a 6-circuit terminal strip, oil switch cables, transformer cable and Mil-Spec connectors for sensor cable and meter base.

- Note: 1. All junction box assemblies are weather-resistant.
2. All assemblies are supplied standard with stainless steel fasteners.

Capacitor Bank Junction Box Assy w/ Oil Switch Cables 8-Circuit Terminal Strip



CP-0201-PNC

Cross arm mount. Supplied with a 8-circuit terminal strip with oil switch cables, and and Mil-Spec connectors for transformer cable, sensor cable, and meter base.

Capacitor Bank Junction Box Assy w/ Oil Switch & Transformer Cables 6-Circuit Terminal Strip



CP-0203-PNC

Cross arm mount. Supplied with a 6-circuit terminal strip, oil switch cables, transformer cable, and Mil-Specc connector for meter base. No provisions for sensor cable.

- Note: 1. All junction box assemblies are weather-resistant.
2. All assemblies are supplied standard with stainless steel fasteners.

Capacitor Bank Junction Box Assy VAR Control



CP-0136-PNC

Pole mount. Volt-ampere reactive junction box supplied with a 8-circuit terminal strip, oil switch cable without the connector, a cord grip, and a CGB.

Capacitor Bank Junction Box Assy VAR Control

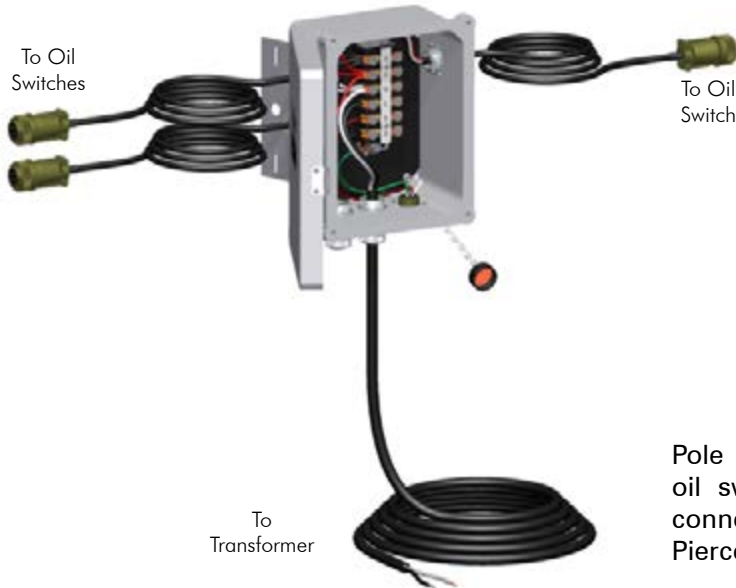


CP-0216-PNC

Pole mount. Volt-ampere reactive junction box supplied with a 8-circuit terminal strip and watertight CGB's.

- Note: 1. All junction box assemblies are weather-resistant.
2. All assemblies are supplied standard with stainless steel fasteners.

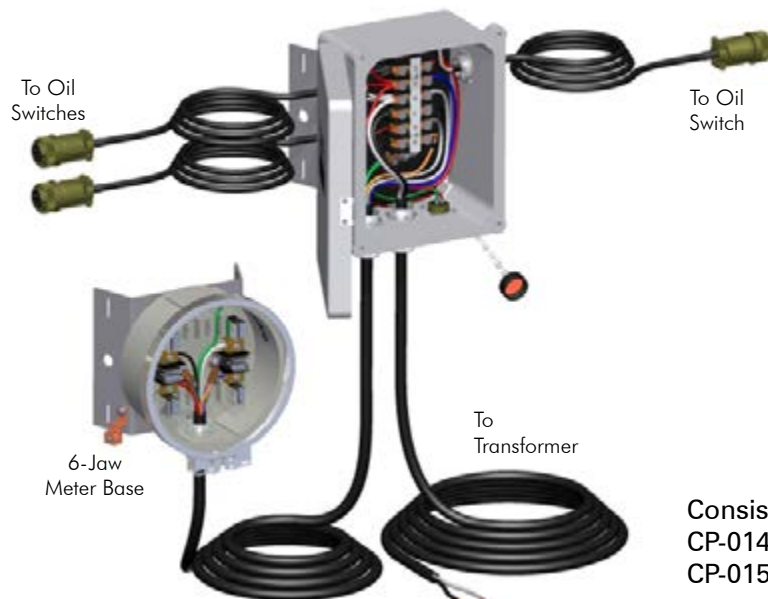
Capacitor Bank Junction Box Assy w/ Oil Switch & Transformer Cables & Sensor Current Connector



CP-0143-PNC

Pole mount. Supplied with a 6-circuit terminal strip, oil switch cables, transformer cable, and Mil-Spec connector for meter base. Accepts Lindsey or Fisher Pierce sensor cable.

Capacitor Bank Junction Box Assy w/ Meter Base, Oil Switch & Transformer Cables

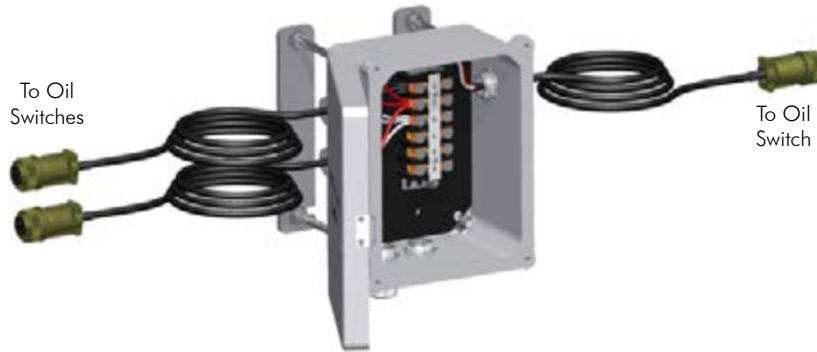


CP-0144-PNC

Consists of:
 CP-0143-PNC Capacitor Bank Junction Box
 CP-0153-PNC 6-Jaw Meter Base

Note: 1. All junction box assemblies are weather-resistant.
 2. All assemblies are supplied standard with stainless steel fasteners.

Capacitor Bank Junction Box Assy w/ Oil Switch Cables



CP-0163-PNC

Cross arm mount. Supplied with a 6-circuit terminal strip, oil switch cables, cord grip, & CGB.

Capacitor Bank Junction Box Assy w/ Meter Base & Lindsey Sensor Cable



CP-0189-PNC

- Consists of:
- CP-0122-PNC Capacitor Bank Junction Box
 - CP-0125-PNC Transformer Cable
 - CP-0187-PNC 6-Jaw Meter Base
 - CP-0124-PNC Meter Base Cable
 - CP-0121-PNC Lindsey Sensor Cable

Note: 1. All junction box assemblies are weather-resistant.
2. All assemblies are supplied standard with stainless steel fasteners.

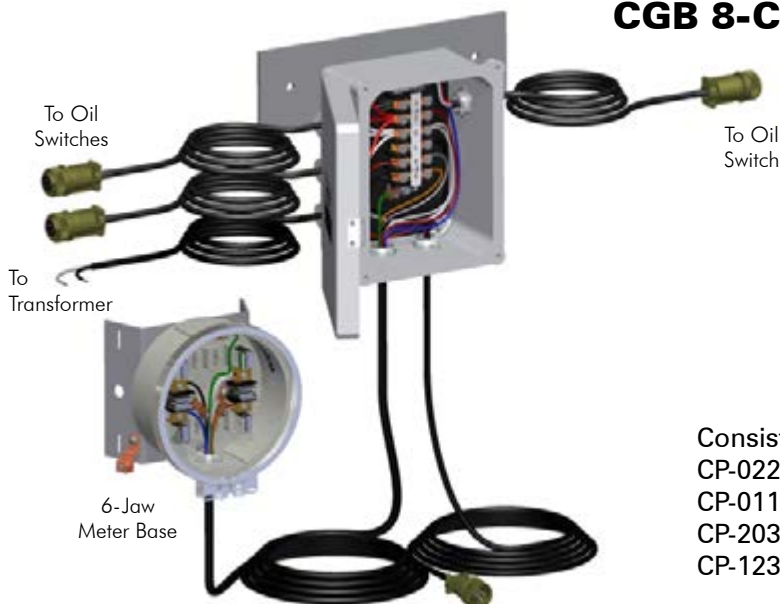
Capacitor Bank Junction Box Assy w/ Oil Switch Cables 8-Circuit Terminal Strip



CP-0217-PNC

Cross arm mount. Supplied with an 8-circuit terminal strip, oil switch cables, transformer cable, meter cable, and a knock-out for sensor cable.

Capacitor Bank Junction Box Assy w/ Meter Base & Oil Switch, Transformer & Sensor Cables with CGB 8-Circuit Terminal Strip



CP-0220-PNC

Consists of:
 CP-0222-PNC Capacitor Bank Junction Box
 CP-0113-PNC 6-Jaw Meter Base
 CP-2030-300-M1 Meter Base Cable
 CP-1231-180 Lindsey Sensor Cable

Note: 1. All junction box assemblies are weather-resistant.
 2. All assemblies are supplied standard with stainless steel fasteners.

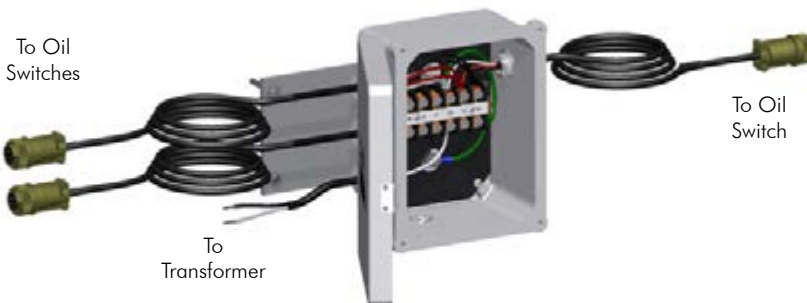
Capacitor Bank Junction Box Assy w/ Oil Switch Cables



CP-0222-PNC

Rack mount. Supplied with a 6-circuit terminal strip, oil switch cables, transformer cable, and CGB's for sensor or meter cables.

Capacitor Bank Junction Box Assy Oil Switch & Transformer Cables



CP-0227-PNC

Rack mount. Supplied with a 6-circuit terminal strip, mounted horizontally, oil switch cables, transformer cable, and knock-out for sensor or meter cables.

Note: 1. All junction box assemblies are weather-resistant.
2. All assemblies are supplied standard with stainless steel fasteners.

Voltage Control Box Assy w/ 8-Circuit Terminal Strip



CP-0148-PNC

Pole mount. Supplied with an 8-circuit terminal strip and CGB's on side and bottom of box.

Recloser Junction Box Assy w/ 8-Circuit Terminal Strip



CP-0214-PNC

Cross arm mount. Supplied with an 8-circuit terminal strip and Mil-Spec connector.

Note: 1. All junction box assemblies are weather-resistant.
2. All assemblies are supplied standard with stainless steel fasteners.

4-Jaw Meter Base w/ Mounting Bracket, Meter Ring, & Mil-Spec Connector Alum For J40 Configuration



CP-0205-PNC

4-Jaw Meter Base w/ mounting bracket and ring. Includes a Mil-Spec connector on the bottom. For J40 wiring configurations.

6-Jaw Meter Base w/ Mounting Bracket, Meter Ring, CGB & 4 Wire Lug Locations



CP-0146-PNC

6-Jaw Meter Base w/ mounting bracket and ring. Includes a 3/4" .55"-.65" Wire CGB on the bottom. Contains 4 wire lug connections.

Note: 1. All assemblies are supplied standard with stainless steel fasteners.



**6-Jaw Meter Base w/
Mounting Bracket, Meter Ring, &
CGB w/ 7 Conductor x 25' Cable
For J62 Configuration**

CP-0138-PNC

6-Jaw Meter Base w/ mounting bracket and ring. Includes a CGB with 12 AWG 7 conductor x 25' cable on the bottom. For J62 wiring configurations.



**6-Jaw Meter Base w/
Mounting Bracket, Meter Ring, &
CGB w/ 7 Conductor x 50' Cable
For J62 Configuration**

CP-0153-PNC

6-Jaw Meter Base w/ mounting bracket and ring. Includes a CGB with 12 AWG 7 conductor x 50' cable on the bottom. For J62 wiring configurations.

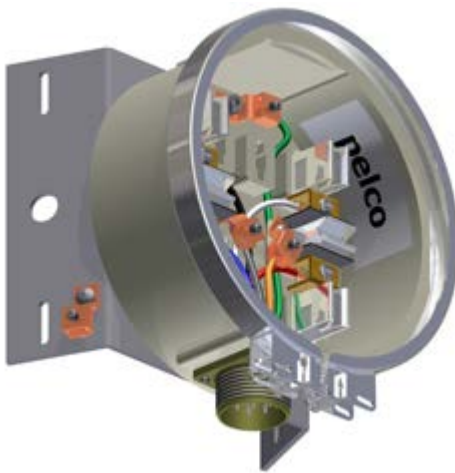
Note: 1. All assemblies are supplied standard with stainless steel fasteners.



6-Jaw Meter Base w/ Mounting Bracket, Meter Ring, & Mil-Spec Connector For J61 Configuration

CP-0210-PNC

6-Jaw Meter Base w/ mounting bracket and ring. Includes a Mil-Spec connector on the bottom. For J61 wiring configurations.

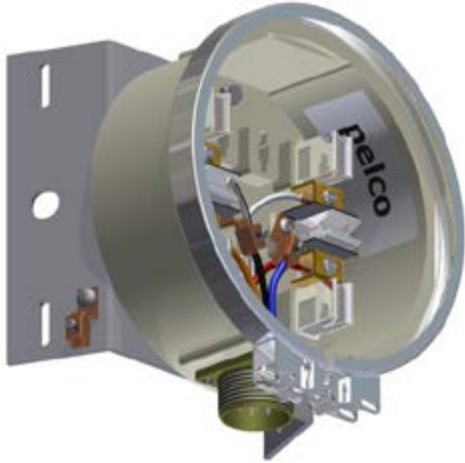


6-Jaw Meter Base w/ Mounting Bracket, Meter Ring, & Mil-Spec Connector For J62 Configuration

CP-0120-PNC

6-Jaw Meter Base w/ mounting bracket and ring. Includes a Mil-Spec connector on the bottom. For J62 wiring configurations.

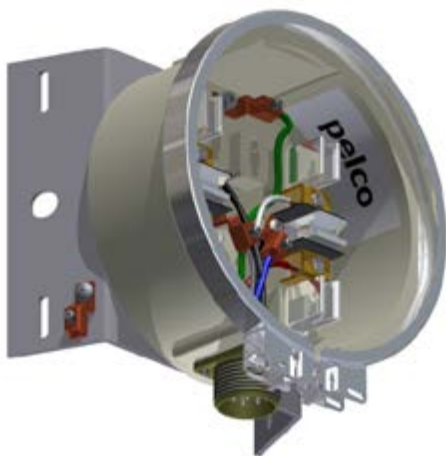
Note: 1. All assemblies are supplied standard with stainless steel fasteners.



6-Jaw Meter Base w/ Mounting Bracket, Meter Ring, & Mil-Spec Connector For J63 Configuration

CP-0187-PNC

6-Jaw Meter Base w/ mounting bracket and ring. Includes a Mil-Spec connector on the bottom. For J63 wiring configurations.



6-Jaw Meter Base w/ Mounting Bracket, Meter Ring, & Mil-Spec Connector For PHI/MATISS Configuration

CP-0190-PNC

6-Jaw Meter Base w/ mounting bracket and ring. Includes a Mil-Spec connector on the bottom. For PHI/MATISS wiring configurations.

Note: 1. All assemblies are supplied standard with stainless steel fasteners.



Meter Base, 6-Jaw w/ Mounting Bracket & Meter Ring, Alum

CP-0113-PNC

6-Jaw Meter Base w/ mounting bracket and ring. Includes a 3/4" .45"-.56" wire CGB on the bottom.



Meter Base, 6-Jaw w/ Meter Ring, Alum

CP-0223-PNC

6-Jaw Meter Base w/ mounting bracket and ring. Includes a 3/4" .55"-.65" wire CGB on the bottom.

Note: 1. All assemblies are supplied standard with stainless steel fasteners.

This page is intentionally left blank.

Oil Switch Base Cable w/ Mil-Spec Connector



CP-0226 -

Length

 - PNC
120=120"
480=480"

3-conductor 14 AWG cable x 120" or 480" long with female Mil-Spec connector on junction box end.

Transformer Cable w/ Mil-Spec Connector



CP-0125-PNC

2-conductor 12 AWG cable x 10'-6" long with female Mil-Spec connector on junction box end. For use with transformer 120V secondary power supply.

Lindsey Sensor Cable w/ Mil-Spec Connectors



CP-1157-PNC

2-conductor 16 AWG cable x 25'-0" long with male and female Mil-Spec connectors. For use with Lindsey Sensor and Junction Box wired for Lindsey or Fisher Pierce Sensors.

Lindsey Sensor Cable w/ Mil-Spec Connectors



CP-0121-PNC

2-conductor 16 AWG cable x 20'-6" long with male and female Mil-Spec connectors. For use with Lindsey Sensor and Junction Box wired for Lindsey Sensor only.

Lindsey Sensor Cable w/ Mil-Spec Connectors



CP-0193-PNC

4-conductor 16 AWG cable x 20'-6" long with male Mil-Spec connectors. For use with Lindsey Sensor.

Lindsey Base Cable w/ Mil-Spec Connector



CP-1231 - - PNC
Length
180=180"

2-conductor 16 AWG cable x 180" long with male Mil-Spec connector on junction box end.

Fisher-Pierce Sensor Cable w/ Mil-Spec Connectors



CP-0145-PNC

3-conductor 16 AWG cable x 25' long with male and female Mil-Spec connectors. For use with Fisher-Pierce Sensor.

Fisher-Pierce Sensor Cable w/ Mil-Spec Connector



CP-0192-PNC

3-conductor 16 AWG cable x 25' long with male Mil-Spec connector on junction box end. For use with Fisher-Pierce Sensor.

Meter Base Cable w/ Mil-Spec Connectors for J61 & J62 Wiring Configuration



CP-0124-PNC

7-conductor 12 AWG cable x 40'-6" long with male and female Mil-Spec connectors. For use with J61 and J62 wiring configuration.

Meter Base Cable w/ Mil-Spec Connectors for J40 Wiring Configuration



CP-0204-PNC

5-conductor 12 AWG cable x 40'-6" long with male and female Mil-Spec connectors. For use with J40 wiring configuration.

Meter Base Cable w/ Mil-Spec Connector



CP-0195-PNC

7-conductor 12 AWG cable x 30' long with male and female Mil-Spec connector on junction box end.

Meter Base Cable w/ Mil-Spec Connectors



CP-0191-PNC

7-conductor 12 AWG cable x 35' long with female Mil-Spec connectors both ends and protective cap one end. For connecting junction box to meter.

Meter Base Cable w/ Mil-Spec Connectors Non-Standard Wiring



CP-0179-PNC

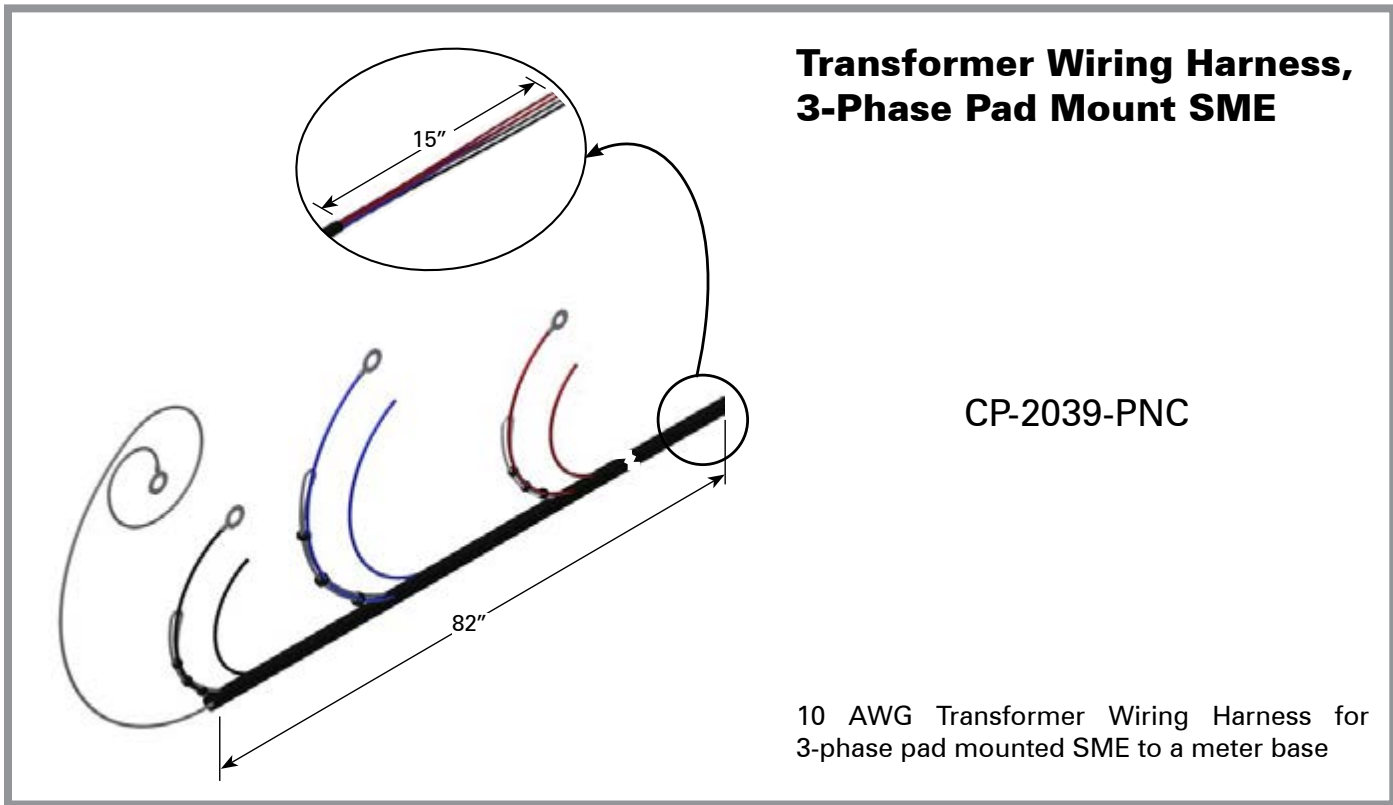
7-conductor 12 AWG cable x 40'-6" long with male and female Mil-Spec connectors. For connecting junction box to meter with non-standard special pin arrangement.

Reclosure Box Cable w/ Mil-Spec Connectors



CP-0215-PNC

8-conductor 12 AWG cable x 40'-6" long with male and female Mil-Spec connectors. For connecting reclosure box to meter.



Cable Retainer Assy, For 4" Foundation Anchor, Galvanized Steel



SP-6224-GLV

Pelco's anti-theft Cable Retainer is the best solution to help prevent copper cable theft in street light poles. Works with Pelco's PB-5364 4" Foundation Anchor or to existing foundations with a 8"-13-1/2" bolt circle. Secures 3/16" to 1/2" diameter cables.

Cable Retainer Assy, For 6" Foundation Anchor, Galvanized Steel



SP-6200-GLV

Pelco's anti-theft Cable Retainer is the best solution to help prevent copper cable theft in street light poles. Works with Pelco's PB-5372 6" Foundation Anchor or to existing foundations with a 9-1/2"-13-1/2" bolt circle. Secures 3/16" to 1/2" diameter cables.

Note: 1. All assemblies are supplied standard with stainless steel fasteners.

Cable Retainer Assy, For 8" Foundation Anchor, Galvanized Steel



SP-6205-GLV

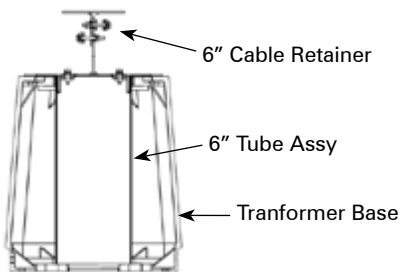
Pelco's anti-theft Cable Retainer is the best solution to help prevent copper cable theft in street light poles. Works with Pelco's PB-5375 8" Foundation Anchor or to existing foundations with a 11-1/2"-17" bolt circle. Secures 3/16" to 1/2" diameter cables.

Tube Assembly For 6" Cable Retainer, Galvanized Steel



SP-6358- -GLV

Length
04.5=4-1/2"
16.38=16-3/8"



The Tube Assembly mounts underneath Pelco's SP-6200 anti-theft Cable Retainer inside the transformer base. The tube is designed to prevent copper cable theft in street light poles. Available in 4-1/2" or 16-3/8" lengths. Complete with mounting hardware.

Note: 1. All assemblies are supplied standard with stainless steel fasteners.



Door Assy, TB1-17 Tranformer Base "Copper Safe" Theft Deterrent Steel

Coating
 PB-5520-
 P__=Paint

Pelco's "Copper Safe" Transformer Doors are shatter-resistant and pull-off resistant to protect against copper theft. Typically powder coated P40 Silver, other colors available. Requires AP-5121 Kit for installation.



Door Assy, TB1-20 Tranformer Base "Copper Safe" Theft Deterrent Steel

Coating
 PB-5526-
 P__=Paint

Pelco's "Copper Safe" Transformer Doors are shatter-resistant and pull-off resistant to protect against copper theft. Typically powder coated P40 Silver, other colors available. Requires AP-5121 Kit for installation.

Note: 1. All assemblies are supplied standard with stainless steel fasteners.
 2. See Reference Section for available paint colors.

Door Assy, TB-17H Tranformer Base "Copper Safe" Theft Deterrent Steel



PB-5536- Coating
P__=Paint

Pelco's "Copper Safe" Transformer Doors are shatter-resistant and pull-off resistant to protect against copper theft. Typically powder coated P40 Silver, other colors available. Requires AP-5121 Kit for installation.

Door Assy, Union Metal Medium Transformer Base "Copper Safe" Theft Deterrent Steel



PB-5529- Coating
P__=Paint

Pelco's "Copper Safe" Transformer Doors are shatter-resistant and pull-off resistant to protect against copper theft. Typically powder coated P40 Silver, other colors available. Requires AP-5121 Kit for installation.

Note: 1. All assemblies are supplied standard with stainless steel fasteners.
2. See Reference Section for available paint colors.



Door Assy, AB Chance Transformer Base "Copper Safe" Theft Deterrent Steel

Coating
PB-5531-
P__=Paint

Pelco's "Copper Safe" Transformer Doors are shatter-resistant and pull-off resistant to protect against copper theft. Typically powder coated P40 Silver, other colors available. Requires AP-5121 Kit for installation.

Note: 1. All assemblies are supplied standard with stainless steel fasteners.
2. See Reference Section for available paint colors.



Hand Hole Cover Assy, "Copper Safe" Theft Deterrent For 4-1/2" x 9-3/4" Oval Opening Steel

Coating
AP-3172-
P__=Paint

Pelco's "Copper Safe" Hand Hole Covers are shatter-resistant and pull-off resistant to protect against copper theft. The overall size of the AP-3172 is 5-1/4" x 10-1/2". Typically powder coated P40 Silver, other colors available. Requires AP-5121 Kit for installation.



Hand Hole Cover Assy, "Copper Safe" Theft Deterrent For 3-3/8" x 9-7/8" Oval Opening Steel

Coating
AP-3173-
P__=Paint

Pelco's "Copper Safe" Hand Hole Covers are shatter-resistant and pull-off resistant to protect against copper theft. The overall size of the AP-3173 is 4-3/8" x 10-7/8". Typically powder coated P40 Silver, other colors available. Requires AP-5121 Kit for installation.

Note: 1. All assemblies are supplied standard with stainless steel fasteners.
2. See Reference Section for available paint colors.

Hand Hole Cover Assy, "Copper Safe" Theft Deterrent Steel



AP-3161- ^{Coating}
P__=Paint for 4" Square Pole
w/ Oval Opening

AP-3160- ^{Coating}
P__=Paint for 5" Square Pole
w/ Rectangular Opening

Pelco's "Copper Safe" Hand Hole Covers for square poles are shatter-resistant and pull-off resistant to protect against copper theft. Typically powder coated P40 Silver, other colors available. Requires AP-5121 Kit for installation.

Hand Hole Cover Assy, "Copper Safe" Theft Deterrent Steel



AP-3167- ^{Coating}
P__=Paint for 7" Square Pole
w/ 6-3/4" x 4-1/2"
Oval Opening

Pelco's "Copper Safe" Hand Hole Covers for square poles are shatter-resistant and pull-off resistant to protect against copper theft. Typically powder coated P40 Silver, other colors available. Requires AP-5121 Kit for installation.

Note: 1. All assemblies are supplied standard with stainless steel fasteners.
2. See Reference Section for available paint colors.

Hand Hole Cover Assy, "Copper Safe" Theft Deterrent 5" x 8" for Round Poles Steel



Coating
AP-3158-
P__=Paint

Pelco's "Copper Safe" Hand Hole Covers for round poles are shatter-resistant and pull-off resistant to protect against copper theft. Typically powder coated P40 Silver, other colors available. Requires AP-5121 Kit for installation.

Hand Hole Cover Assy, "Copper Safe" Theft Deterrent 4" x 6" for 8" Dia Poles Galvanized Steel



Coating
AP-3162-
P__=Paint

Pelco's "Copper Safe" Hand Hole Covers for round poles are shatter-resistant and pull-off resistant to protect against copper theft. Typically powder coated P40 Silver, other colors available. Requires AP-5121 Installation Kit.

Note: 1. All assemblies are supplied standard with galvanized fasteners.
2. See Reference Section for available paint colors.

Installation Kit, "Copper Safe" Theft-Deterrent Hand Hole Covers & Doors



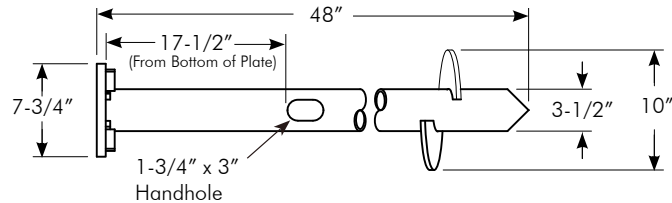
AP-5121-PNC

The "Copper Safe" Installation Kit is required for installing Pelco's theft deterrent hand hole covers and doors. Includes 3/16" & 3/8" drill bits, security extension, and security extension wrench, in a PVC storage case. Installation Kit is reusable.

Foundation Anchor Assy, 3" Sch 40 x 4'-0" 4-1/2" to 6-1/2" Bolt Circle, 1/2"-13NC Hardware



PB-5369-GLV



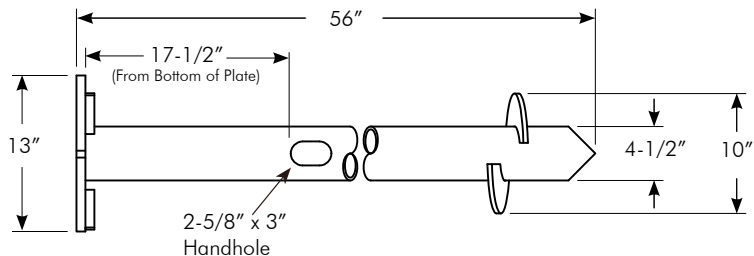
Pelco's foundation anchors feature a top plate which enables the bolt head to be inserted after the anchor is in place. This eliminates the necessity of digging under the plate to install base bolts. Plate scrapers loosen the soil for easy bolt installation from top of the plate. The square head bolts are held in place by the plate scrapers, which prevent them from turning.

Note: The Driver Adapter is not required for installation using the Kelly Bar Adapter. The Kelly Bar Adapter mounts directly to the top plate of the anchor. For residential, ornamental, and walkway lighting with small bases. (wt. 46 lbs)

Foundation Anchor Assy, 4" Sch 40 x 4'-8" 7-3/4" to 14-3/4" Bolt Circle, 3/4"-10NC Hardware



PB-5364-GLV



Pelco's foundation anchors feature a top plate which enables the bolt head to be inserted after the anchor is in place. This eliminates the necessity of digging under the plate to install base bolts. Plate scrapers loosen the soil for easy bolt installation from top of the plate. The square head bolts are held in place by the plate scrapers, which prevent them from turning.

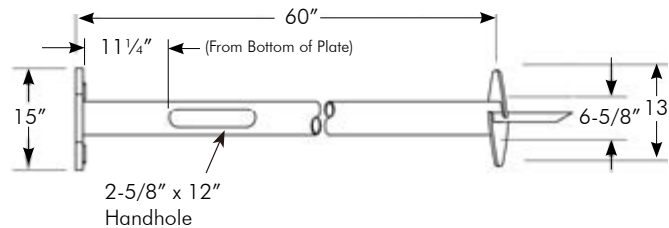
For residential lights, parking lots, and street lights. Typically for pole heights up to 16'. (wt. 94 lbs)

- Note:
1. Foundation anchors are hot dip galvanized per ASTM A123.
 2. All assemblies are supplied with Grade 5 Galvanized Bolts.
 3. All assemblies with hardware are bagged in a nylon weatherproof bag.

Medium Foundation Anchor Assy, 6" Sch 40 x 5'-0" 10" to 15" Bolt Circle, 1"-8NC Hardware



PB-5372-GLV

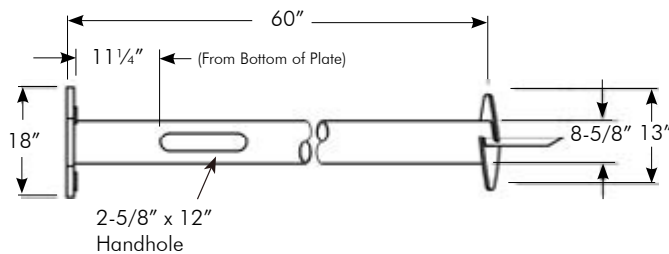


Pelco's foundation anchors feature a top plate which enables the bolt head to be inserted after the anchor is in place. This eliminates the necessity of digging under the plate to install base bolts. Plate scrapers loosen the soil for easy bolt installation from top of the plate. The square head bolts are held in place by the plate scrapers, which prevent them from turning. For residential lights, parking lots, and street lights. Typically for poles ranging from 20'-30' in height (wt. 167 lbs)

Heavy Duty Foundation Anchor Assy, 8" Sch 40 x 5'-0" 13" to 18" Bolt Circle, 1-1/4"-7NC Hardware



PB-5375-GLV

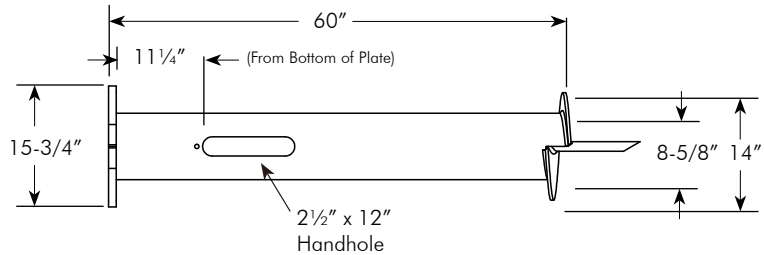


Pelco's foundation anchors feature a top plate which enables the bolt head to be inserted after the anchor is in place. This eliminates the necessity of digging under the plate to install base bolts. Plate scrapers loosen the soil for easy bolt installation from top of the plate. The square head bolts are held in place by the plate scrapers, which prevent them from turning. For street and highway lighting. Typically for poles ranging from 30'-40' in height (wt. 239 lbs)

- Note: 1. Foundation anchors are hot dip galvanized per ASTM A123.
2. All assemblies are supplied with Grade 5 Galvanized Bolts.
3. All assemblies with hardware are bagged in a nylon weatherproof bag.

Foundation Anchor Assy, 8" Sch 20 x 5'-0" 11" to 17" Bolt Circle, 1"-8NC Hardware

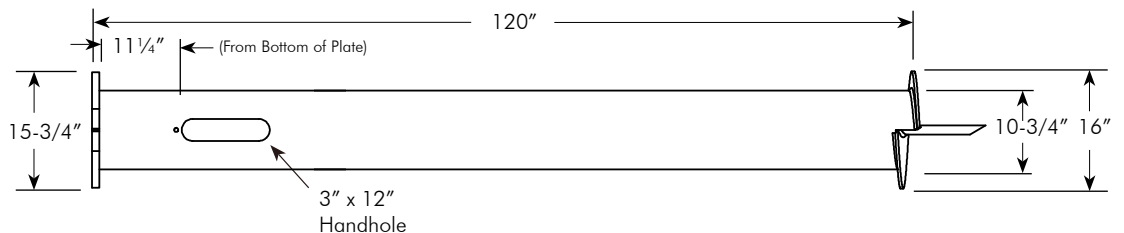
PB-5534-GLV



Pelco's schedule 20 foundation anchors feature a top plate which enables the bolt head to be inserted after the anchor is in place. This eliminates the necessity of digging under the plate to install base bolts. The carriage bolts are locked in place by the slots in the top plate, which prevent them from turning. For street and highway lighting. Typically for poles ranging from 30'-50' in height. (wt. 184 lbs)

Foundation Anchor Assy, 10" Sch 20 x 10'-0" 13-1/2" to 17" Bolt Circle, 1"-8NC Hardware

PB-5535-GLV



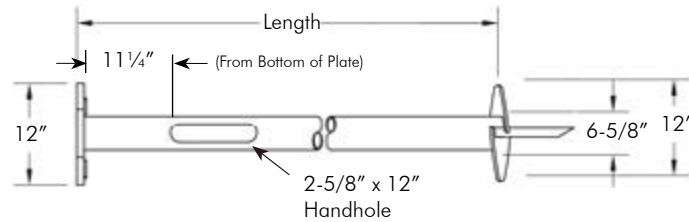
Pelco's foundation anchors feature a top plate which enables the bolt head to be inserted after the anchor is in place. This eliminates the necessity of digging under the plate to install base bolts. The carriage bolts are locked in place by the slots in the top plate, which prevent them from turning. For street and highway lighting. Typically for poles ranging from 30'-50' in height. (wt. 359 lbs)

- Note:
1. Foundation anchors are hot dip galvanized per ASTM A123.
 2. All assemblies are supplied with Grade 5 Galvanized Bolts.
 3. All assemblies with hardware are bagged in a nylon weatherproof bag.

Foundation Anchor Assy, 6" Sch 40 19" to 14" Bolt Circle, 1"-8NC Hardware



PB-5537 - Length - GLV
 48=4'-0"
 60=5'-0"
 72=6'-0"
 84=8'-0"

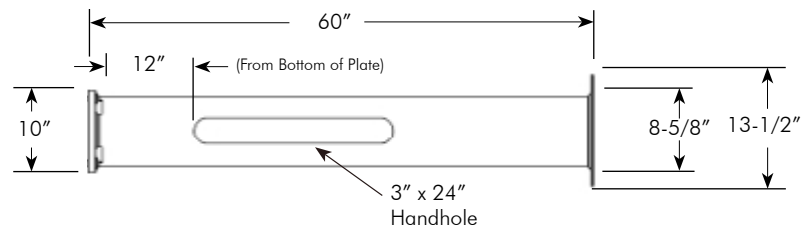


Pelco's foundation anchors feature a top plate which enables the bolt head to be inserted after the anchor is in place. This eliminates the necessity of digging under the plate to install base bolts. The carriage bolts are locked in place by the slots in the top plate, which prevent them from turning. Typically for residential lights, parking lots, and street lights with poles ranging from 20'-30' in height. 48" (wt. 115 lbs.); 60" (wt. 134 lbs.); 72" (wt. 152 lbs.); 84" (wt. 172 lbs.)

Foundation Anchor Assy, 8" Sch 20 x 5'-0" 8" to 11" Bolt Circle, 3/4"-10NC Hardware



SP-6360-GLV



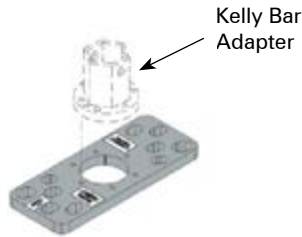
Pelco's SP-6360 schedule 20 foundation anchor is designed to be stabilized with a concrete footing. It features a top plate which enables the bolt head to be inserted after the anchor is installed. The carriage bolts are locked in place by the slots in the top plate, which prevent them from turning. Typically for poles up to 30' in height. (wt. 141 lbs)

- Note: 1. Foundation anchors are hot dip galvanized per ASTM A123.
 2. All assemblies are supplied with Grade 5 Galvanized Bolts.
 3. All assemblies with hardware are bagged in a nylon weatherproof bag.



Driver Adapter, Foundation Anchor w/ 9" to 14-3/4" Bolt Circle Steel

PB-0604-ZN1



Required to connect the Kelly Bar adapter (not supplied) to the foundation anchor for installation. Special hole pattern permits installation of foundation anchors having bolt circle diameters of 9" to 14-3/4". Zinc1 finish.



Leveling Shim, 1/16" x 2" x 2" Galvanized Steel

PB-0602-GLV

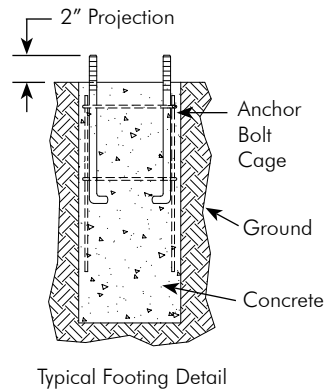
Leveling Shim, 1/8" x 2" x 2" Galvanized Steel

PB-0603-GLV

Note: 1. All assemblies are supplied standard with galvanized fasteners.



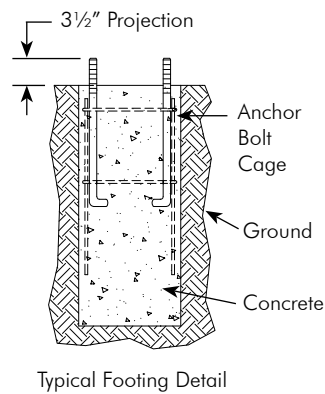
Anchor Bolt Cage w/ Hardware 1/2"-13NC x 7-1/2", 36" Rebar 5-1/2" Bolt Circle, Galv



AP-1049-GLV



Anchor Bolt Cage w/ Hardware 3/4"-10NC x 18", 36" Rebar 8-1/2" Bolt Circle, Galv



AP-1089-GLV

- Note: 1. All assemblies are supplied standard with galvanized fasteners.
2. Footing shall be determined by end user.

Anchor Bolt Cage w/ Hardware 3/4"-10NC x 18", 36" Rebar 13" Bolt Circle, Galv

Typical Footing Detail

AP-1095-GLV

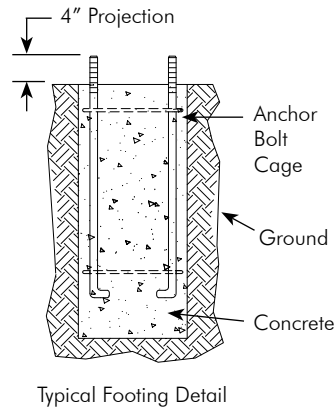
Anchor Bolt Cage w/ Hardware 1"-8NC x 36" Anchor Bolts 11" Bolt Circle, Galv

Typical Footing Detail

AP-3129-GLV


Note: 1. All assemblies are supplied standard with galvanized fasteners.
2. Footing shall be determined by end user.

Anchor Bolt Cage w/ Hardware 1"-8NC x 36" 15" Bolt Circle, Galv



AP-3136-GLV


Note: 1. All assemblies are supplied standard with galvanized fasteners.
2. Footing shall be determined by end user.



**Anchor Bolt Set of 4 w/ Hardware
3/4"-10NC x 18", Galv**

PB-5306-GLV

Note: Includes 4 Bolts, 4 Washers, and 4 Nuts.



**Anchor Bolt Set of 4 w/ Hardware
1/2"-13NC x 7-1/2", Galv**

AP-1046-GLV

Note: Includes 4 Bolts, 8 Washers, and 8 Nuts.

Note: 1. All assemblies are supplied standard with galvanized fasteners.

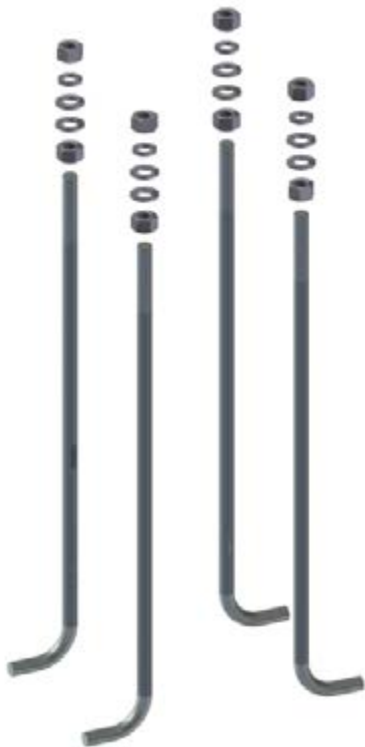
Anchor Bolt Set of 4 w/ Plate Washers 3/4"-10NC x 18", Galv



PB-5371-GLV

Includes 4 Bolts, 4 Plate Washers, 4 Washers, and 4 Nuts.

Anchor Bolt Set of 4 w/ Hardware 1"-8NC x 36", Galv



AP-1007-

Template

-GLV

1=12" Bolt Circle
2=12.75" Bolt Circle
3=11" Bolt Circle

Includes 4 Bolts, 4 Lock Washers, 8 Washers, and 8 Nuts.

Note: 1. All assemblies are supplied standard with galvanized fasteners.



**Transformer Base, TB2-17
w/ Pelco Door & Washers, Alum**

PB-5514- Coating

PNC=Process No Color
P__=Paint

Pelco's TB2-17 Transformer Base stands 17" tall with a 12.04" square top, 13.08" square bottom, and has a 10"-12" top and bottom bolt circle. Comes complete with an aluminum Pelco door and 8 heavy duty galvanized steel washers.



**Transformer Base, TB1-17
w/ Pelco Door & Washers, Alum**

PB-5517- Coating

PNC=Process No Color
P__=Paint

Pelco's TB1-17 Transformer Base stands 17" tall with a 13.12" square top, 15.38" square bottom, and has a 10½"-13½" top bolt circle and 13"-15" bottom bolt circle. Comes complete with an aluminum Pelco door and 8 heavy duty galvanized steel washers.

Note: 1. See Reference Section for available paint colors.

This page is intentionally left blank.



Transformer Base, TB1-17 Modified w/ Pelco Door & Washers, Alum

PB-5538- Coating

PNC=Process No Color
P__=Paint

Pelco's TB1-17 Transformer Base stands 17" tall with a 13.12" square top, 15.38" square bottom, and has a 10½"-13½" top bolt circle and 10½"-12¹⁵/₁₆" bottom bolt circle. Comes complete with an aluminum Pelco door and 8 heavy duty galvanized steel washers.



Hardware Kit, Transformer Base 1"-8NC x 4", Set of 4, Galv

PB-5437-GLV

For mounting base plates to the top of Transformer Bases. Includes 4 Hex Head Bolts, 8 Washers, 4 Lock Washers, and 4 Hex Nuts.

Note: 1. See Reference Section for available paint colors.

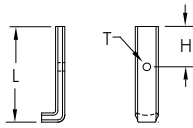
Plastic Replacement Doors



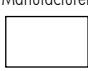
Plastic replacement doors for lighting pole bases are fabricated from tough hi-density UV inhibited plastic which offers excellent impact resistance. They give the appearance of aluminum, never needing painted and are a significant deterrent to vandalism since they have no scrap value. Pelco's doors with-stand temperature extremes of -78° to +150° fahrenheit.

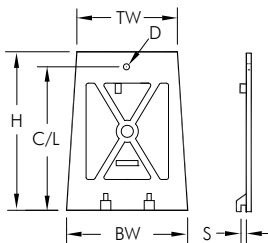


Transformer Door, Plastic

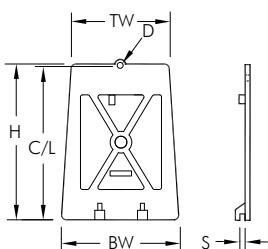


Door Latch

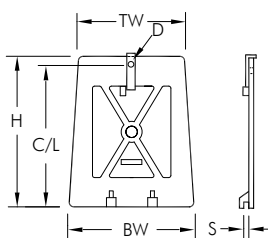
Base
Manufacturer
PB-0522-  -PNC
*See Chart



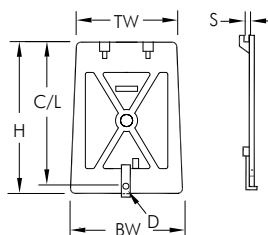
*BASE MFG	DESCRIPTION	S	C/L	H	DOOR SIZE		HOLE D	LATCH		
					TW	BW		L	H	T
03	Valmont, Flat	5/16"	12-5/8"	13-3/4"	7-15/16"	9-1/4"	3/8"	N/A	N/A	N/A
04	Union Metal, Flat	5/16"	13-5/16"	13-15/16"	7-59/64"	9-1/4"	3/8"	N/A	N/A	N/A



*BASE MFG	DESCRIPTION	S	C/L	H	DOOR SIZE		HOLE D	LATCH		
					TW	BW		L	H	T
05-06	Valmont-Akron, Flat (TB-1AF, TB-2AF, TB-3AF)	1/4"	13-1/2"	13-1/4"	9-1/8"	9-1/2"	3/8"	N/A	N/A	N/A
07	A.B. Chance, Flat	3/8"	13-5/16"	13-7/8"	9-1/16"	9-13/16"	3/8"	N/A	N/A	N/A
12	Hapco, Flat (56631, 56632)	5/16"	13-5/8"	13-7/16"	9-1/8"	9-5/8"	3/8"	N/A	N/A	N/A
19	P & K, C-98612, Flat (M-81)	3/8"	16-21/32"	16-1/2"	10-1/2"	13-1/2"	11/32"	N/A	N/A	N/A

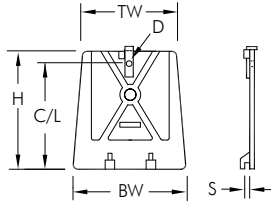


*BASE MFG	DESCRIPTION	S	C/L	H	DOOR SIZE		HOLE D	LATCH		
					TW	BW		L	H	T
01	Kaiser, Curved w/ Latch	3/8"	13-3/4"	14-7/8"	10-5/8"	11-3/4"	11/32"	4-5/8"	1-3/4"	5/16"-18
08	P & K, Flat w/ Latch (TB2A, TB2C, TB5C)	1/4"	11-7/8"	13-1/4"	8-1/4"	9-15/16"	11/32"	3-1/4"	1-3/4"	5/16"-18
15	Akron, Flat w/ Latch (TB-20S)	1/4"	12"	13-3/8"	9-1/8"	9-5/8"	5/16"	3-3/8"	1-7/8"	1/4"- 20
16	Akron, Flat Short w/ Latch (TB-17S)	5/16"	11-1/8"	11-23/32"	9-1/8"	9-5/8"	5/16"	2-3/8"	1-1/8"	1/4"- 20
22	Akron, Curved w/ Latch (FP-5190)	3/8"	12"	13-5/16"	8-1/2"	9-1/2"	11/32"	3-1/4"	1-3/4"	5/16"-18

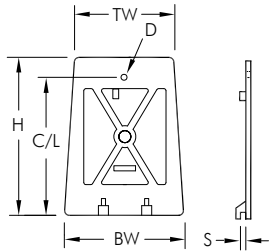


*BASE MFG	DESCRIPTION	S	C/L	H	DOOR SIZE		HOLE D	LATCH		
					W	BW		L	H	T
10	P & K, Flat w/ Latch (REVERSED OPENING TB-1, TB-2)	9/16"	12"	13-3/8"	8-3/8"	9-5/8"	11/32"	3-1/4"	1-3/4"	5/16"-18

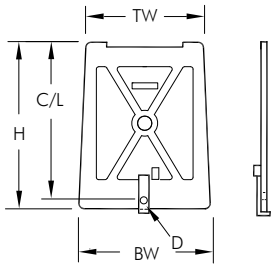
UTILITY PRODUCTS



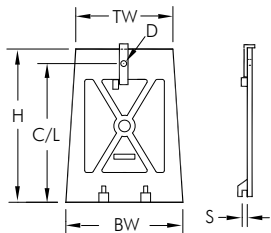
*BASE MFG	DESCRIPTION	S	C/L	H	DOOR SIZE		HOLE D	LATCH		
					W	BW		L	H	T
11	P & K, Flat Short w/ Latch (TB-4)	5/16"	9-13/16"	11-1/8"	9-9/16"	11-5/8"	11/32"	3-1/4"	1-3/4"	5/16"-18



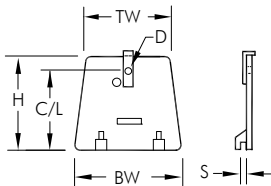
*BASE MFG	DESCRIPTION	S	C/L	H	DOOR SIZE		HOLE D	LATCH		
					TW	BW		L	H	T
13	Valmont, Flat	5/16"	12-15/16"	13-7/8"	7-15/16"	9-1/4"	3/8"	N/A	N/A	N/A
25	FAB, Flat	5/16"	12-7/8"	13-5/8"	8-1/2"	9-3/4"	5/16"	N/A	N/A	N/A



*BASE MFG	DESCRIPTION	S	C/L	H	DOOR SIZE		HOLE D	LATCH		
					W	BW		L	H	T
18	Akron, Flat, Hinged w/ Latch (REVERSE OPENING TB-17H)	N/A	10-3/16"	11-5/8"	9-1/8"	9-11/16"	5/16"	3-3/8"	1-7/8"	1/4"-20



*BASE MFG	DESCRIPTION	S	C/L	H	DOOR SIZE		HOLE D	LATCH		
					W	BW		L	H	T
24	Union Metal, Flat w/ Latch	5/16"	3-5/16"	13-3/4"	7-59/64"	9-1/4"	13/32"	3-3/8"	11/16"	3/8"-16



*BASE MFG	DESCRIPTION	S	C/L	H	DOOR SIZE		HOLE D	LATCH		
					W	BW		L	H	T
14	P & K, Curved, Small w/ Latch (HBS-6)	7/32"	4-1/2"	5-1/4"	5-3/16"	6"	9/32"	2-3/8"	1-1/8"	1/4"-20

Note:

1. All assemblies are supplied standard with stainless fasteners.
2. Doors with latches include latch & vandal-resistant screw. Doors without latches are shipped without hardware.



Conduit Cover, Pelco Topper, ABS Plastic w/ Safety Orange Reflectors 8-1/2" to 15" Bolt Circle

PB-0530-PNC



Covers wiring temporarily, preventing damage or injury. Easily fits over installed anchor bolts and uses existing hardware. Made from durable ABS molded plastic.



Adapter, Pelco Topper HMD Plastic 8-3/4" to 20-1/2" Bolt Circle

PB-0636-PNC



Easily slips over the Pelco Topper to accommodate up to 2" anchor bolts on a 20-1/2" bolt circle.

Note: 1. Fabricated from black ABS plastic.

Anchor Bolt Template, ABS Plastic



AP-3085-PNC

Note:

- Quick, easy set-up in minutes
- 41 different bolt circle patterns, 5-1/2" to 25-1/2"
- Easy guide divots every 1/2"
- Reusable

The Bolt Template is a reusable "tool" used for layout of bolts to be used in concrete for the future installation of poles. Constructed of UV stabilized ABS plastic, the Bolt Template may be used for various bolt patterns from 5-1/2" up to 25-1/2". Accepts multiple conduits through the center with the capacity for up to two 2" conduits and multiple smaller conduits at one time.

Note: 1. Fabricated from black ABS plastic.

AP- - - - - - - - - -
 Model Wattage Voltage Photocell Tenon Adapter Globe Finial/Color Rib/Color P__=Paint

Bristol Series

Wattage:

AP-0207	AP-0208	AP-7520
50HPS	50MH	37LED
100HPS	100MH	-
150HPS	150MH	-
250HPS	250MH	-

Voltage:

AP-0207	AP-0208	AP-7520
120V	120V	UNV
240V	240V	UNV
277V	277V	UNV
480V	480V	-

Note: All LED Luminaires are 120-277V

Photocell:

AP-0207	AP-0208	AP-7520	
NPC	NPC	NPC	None
PCS	PCS	7P	Socket Only
PC	PC	PC	w/ Photocell

Note: All LED Luminaires use 7-pin socket

Tenon Adapter:

AP-0207	AP-0208	AP-7520
TA	TA	TA

Note: Adapter 2-7/8" OD post to 3-1/2" ID luminaire

Globe:

AP-0207	AP-0208	AP-7520	
PLSM	PLSM	-	Polycarbonate Small
PLLG	PLLG	PLLG	Polycarbonate Large
T3AC	T3AC	T3AC	Type III Acrylic
T5AC	T5AC	T5AC	Type V Acrylic
T3ACPR	T3ACPR	-	Type III Acrylic, Perforated Reflector
T5ACPR	T5ACPR	-	Type V Acrylic, Perforated Reflector
T3ACSR	T3ACSR	-	Type III Acrylic, Solid Reflector
T5ACSR	T5ACSR	-	Type V Acrylic, Solid Reflector
T3DS59	T3DS59	T3DS	Type III Acrylic, Dark Sky, Color
T5DS59	T5DS59	T3DS	Type V Acrylic, Dark Sky, Color

Note: 59 refers to P59 Textured Black, others colors available

Finial/Color:

AP-0207	AP-0208	AP-7520	
BL59	BL59	BL59	3" Ball, Color
ST59	ST59	ST59	Steeple, Color
SI59	SI59	SI59	Spire, Color
FL59	FL59	FL59	Fleur, Color

Note: 59 refers to P59 Textured Black, others colors available

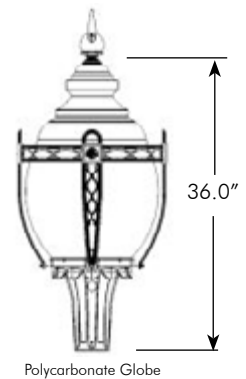
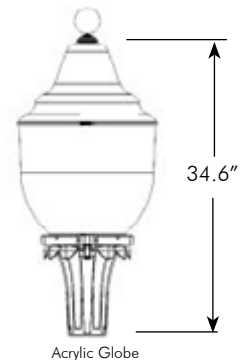
Ribs/Color:

AP-0207	AP-0208	AP-7520	
T59	T59	T59	Tall, Color
TO59	TO59	TO59	Tall Open, Color
S59	S59	S59	Short, Color
SO59	SO59	SO59	Short Open, Color

Note: 59 refers to P59 Textured Black, others colors available

AP-0207- Bristol High Pressure Sodium
 AP-0208- Bristol Metal Halide
 AP-7520- Bristol LED

The Bristol Series Luminaires are available in metal halide, high pressure sodium, or LED and provide the look and charm of history. A unique modular electrical unit provide easy access for service. The Bristol Fixture can be customized to provide a personalized style by selecting the lamp wattage, voltage, photocell, globe type, finial, and paint color.



Note: 1. See Reference Section for available paint colors.

AP- - - - - -
 Model Wattage Voltage Photocell Finial/Color P__=Paint

Windsor Series

AP-0216- Windsor High Pressure Sodium
 AP-0217- Windsor Metal Halide
 AP-7521- Windsor LED

The Windsor Series luminaires are available in metal halide, high pressure sodium, or LED. The carriage fixtures are antique in appearance with a unique modular electrical unit for easy service access. The lighting panels have unique photometrics that give the appearance of multiple light sources. The Windsor Fixture can be customized by selecting the lamp wattage, voltage, photocell, finial, and paint color.

Wattage:

AP-0216	AP-0217	AP-7521
50HPS	-	37LED
100HPS	100MH	-
-	150MH	-
-	175MH	-

Voltage:

AP-0216	AP-0217	AP-7521
120V	120V	UNV
208V	208V	UNV
240V	240V	UNV
277V	277V	UNV
480V	480V	-

Note: All LED Fixtures are 120-277V

Photocell:

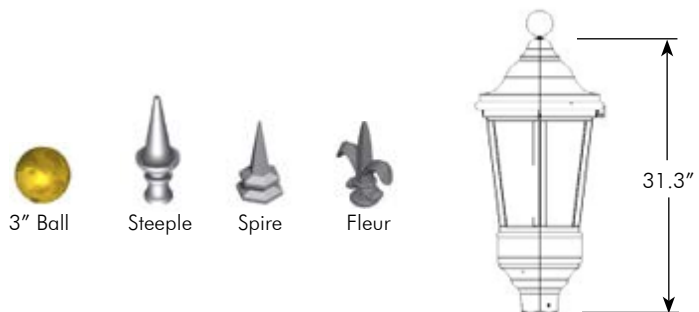
AP-0216	AP-0217	AP-7521	
NPC	NPC	NPC	None
PCS	PCS	7P	Socket Only
PC	PC	PC	w/ Photocell

Note: All LED Luminaires use 7-pin socket

Finial/Color:

AP-0216	AP-0217	AP-7521	
BL59	BL59	BL59	3" Ball, Color
ST59	ST59	ST59	Steeple, Color
SI59	SI59	SI59	Spire, Color
FL59	FL59	FL59	Fleur, Color

Note: 59 refers to P59 Textured Black, others colors available



Note: 1. See Reference Section for available paint colors.

AP- - - - - - -
 Model Wattage Voltage Photocell Globe Finial/Color P__=Paint

Newport Series

AP-0333- Newport High Pressure Sodium AP-0334- Newport Metal Halide

The Newport Series luminaires are available in metal halide or high pressure sodium. The smaller design creates an atmosphere of simplicity, while the unique modular electrical unit provides easy access for service. The Newport Fixtures can be customized by selecting the lamp wattage, voltage, photocell, globe, finial, and paint color.

Wattage:

AP-0333	AP-0334
100HPS	100MH

Voltage:

AP-0333	AP-0334
120V	120V
208V	-
240V	240V
277V	277V
-	480V

Photocell:

AP-0333	AP-0334
NPC	NPC
PCS	PCS
PC	PC

None
 Socket Only
 w/ Photocell

Globe:

AP-0333	AP-0334
PLSM	PLSM
T3AC	T3AC
T5AC	T5AC
T3ACPR	T3ACPR
T5ACPR	T5ACPR
T3ACSR	T3ACSR
T5ACSR	T5ACSR

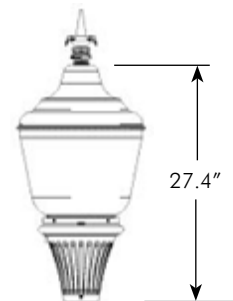
Polycarbonate Small
 Type III Acrylic
 Type V Acrylic
 Type III Acrylic, Perforated Reflector
 Type V Acrylic, Perforated Reflector
 Type III Acrylic, Solid Reflector
 Type V Acrylic, Solid Reflector

Finial/Color:

AP-0333	AP-0334
BL59	BL59
ST59	ST59
SI59	SI59
FL59	FL59
SE59	SE59

3" Ball, Color
 Steeple, Color
 Spire, Color
 Fleur, Color
 Spear, Color

Note: 59 refers to P59 Textured Black, others colors available



Note: 1. See Reference Section for available paint colors.

AP-7501- - - - - - - -
 Wattage LED Color Temp Voltage Photocell Optics Shade P__=Paint

Harrisburg Series

Wattage:

AP-7501
110W-48LED
136W-60LED

Color Temp:

AP-7501
4K

4000 kelvin

Voltage:

AP-7501
480V
UNV

Note: UNV is 120-277V

Photocell:

AP-7501
NPC
PC

None
w/ Photocell

Note: Uses 7-pin socket

Optics

AP-7501
T3PL
T3NL
T5PL
T5NL

Type III Polycarbonate
Type III No Globe
Type V Polycarbonate
Type V No Globe

Shade:

AP-7501
SHA

Spun Aluminum Shade

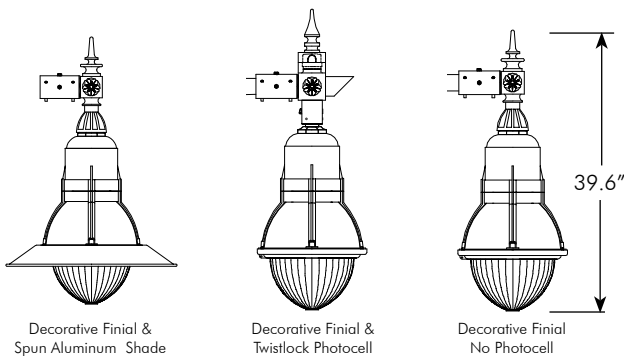
Paint:

AP-7501
P59

Textured Black Powder Coat

AP-7501- Harrisburg LED

The Harrisburg LED luminaire has a simple elegant style, yet brings a state-of-the art photometric and maintenance technology to a unit reminiscent of the 19th century. The Harrisburg luminaire is designed for use with a 2-3/8" diameter arm and can be customized by selecting the lamp wattage, voltage, photocell, optics, shade, and paint color.



Note: 1. Custom colors may be available. Contact Pelco for specifics.

AP-7503- - - - - - - - - -
 Wattage LED Color Temp Voltage Photocell Receptacle Optics Adapter P__=Point

Titan Series

Wattage:

AP-7503
55W-24LED
80W-36LED
136W-60LED

Color Temp:

AP-7503	4000 kelvin
4K	

Voltage:

AP-7503	120-277 Volts
480V	
UNV	

Photocell:

AP-7503	None
NPC	
PC	w/ Photocell

Receptacle:

AP-7503	Standard Receptacle
blank	
7P	7 Pin Receptacle

Optics:

AP-7503	Type III
T3	
T5	Type V Square Medium

Adapter:

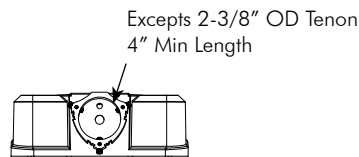
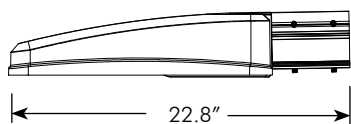
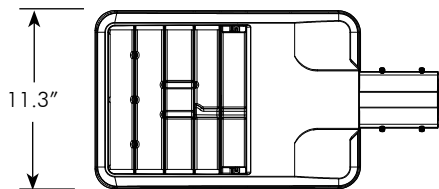
AP-7503	Rectangular Arm Adapter
RA	

Paint:

AP-7503	Silver Powder Coat
P40	

AP-7503- Titan Roadway LED

The Titan Series luminaire is a low-profile contemporary streamlined design for roadway, area, and parking applications. The Titan is designed for use with a 2-3/8" diameter arm, is available with variety of different LED options, and can be customized by selecting the lamp wattage, voltage, photocell, optics, and paint color.



Note: 1. Custom colors may be available. Contact Pelco for specifics.

This page is intentionally left blank.

AP-7505- - - - - - - - - **Sky Hawk Series**
 Wattage - LED - Color Temp - Voltage - Photocell - Receptacle - Arm - Lens - P__=Paint

Wattage:

AP-7505
40W-9LED

Color Temp:

AP-7505	
4K	4000 kelvin
5K	5100 kelvin

Voltage:

AP-7505
120V

Photocell:

AP-7505	
PC	w/ AP-8560 Photocell
SC	w/ AP-8559 Shorting Cap

Receptacle:

AP-7503	
Blank	Standard Receptacle
7P	7 Pin Receptacle & Dimming Ballast

Mounting Arm

AP-7505	
Blank	No Arm
Arm	w/ SP-6348 Arm

Lens

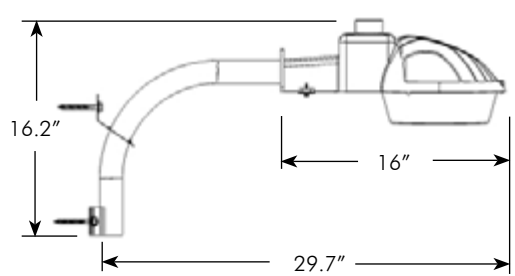
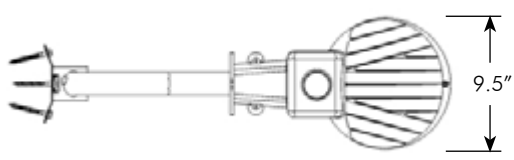
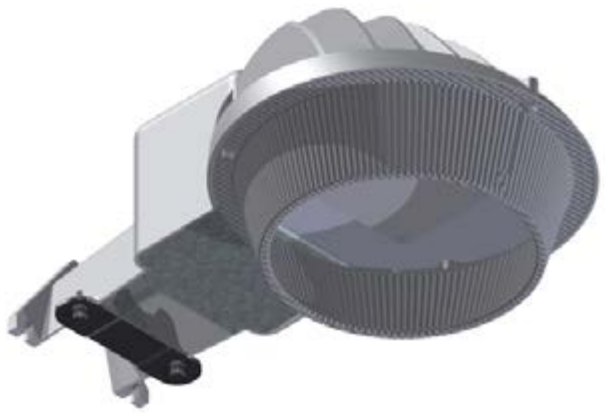
AP-7505	
Blank	Symmetrical Lens
ASL	w/ AP-8558 Asymmetrical Lens

Paint

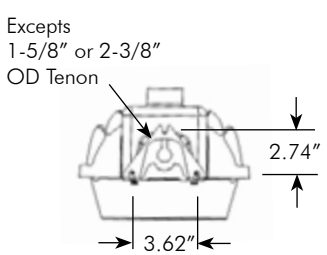
AP-7505	
P62	Gray Powder Coat

AP-7505- Sky Hawk Security LED

The Sky Hawk Series LED luminaire is a multi-purpose dusk-to-dawn security light for any type of outdoor lighting applications. The Sky Hawk is designed to mount to a wall surface or onto a 2-3/8" or 1-5/8" diameter arm. Comes standard with photocell and symmetrical lens. Shorting cap, asymmetrical lens, and mounting arm are available options.



Sky Hawk with Arm & Photocell



Mounting Plate

Note: 1. See Reference Section for available paint colors.

AP- - - - - - - -

Model Wattage Voltage Photocell Globe Finial/Color Rib/Color P__=Paint

Bristol Series

Wattage:

AP-0378	AP-0367	AP-7522
50HPS	50MH	37LED
100HPS	100MH	-
150HPS	150MH	-
250HPS	250MH	-

AP-0378- Bristol High Pressure Sodium
 AP-0367- Bristol Metal Halide
 AP-7522- Bristol LED

Voltage:

AP-0378	AP-0367	AP-7522
120V	120V	UNV
240V	240V	UNV
277V	277V	UNV
480V	480V	-

The Bristol Wall Mount Luminaires are available in metal halide, high pressure sodium, or LED and provide the look and charm of history. A unique modular electrical unit provides easy access for service. The Bristol Luminaire can be customized for a personalized style and requirement by selecting various options as indicated below.

Note: All LED Luminaires are 120-277V

Photocell:

AP-0378	AP-0367	AP-7522	
NPC	NPC	NPC	None
PCS	PCS	7P	Socket Only
PC	PC	PC	w/ Photocell

Note: All LED Luminaires use 7-pin socket

Globe:

AP-0378	AP-0367	AP-7522	
PLSM	PLSM	-	Polycarbonate Small
PLLG	PLLG	PLLG	Polycarbonate Large
T3AC	T3AC	T3AC	Type III Acrylic
T5AC	T5AC	T5AC	Type V Acrylic
T3ACPR	T3ACPR	-	Type III Acrylic, Perforated Reflector
T5ACPR	T5ACPR	-	Type V Acrylic, Perforated Reflector
T3ACSR	T3ACSR	-	Type III Acrylic, Solid Reflector
T5ACSR	T5ACSR	-	Type V Acrylic, Solid Reflector
T3DS59	T3DS59	T3DS	Type III Acrylic, Dark Sky, Color
T5DS59	T5DS59	T3DS	Type V Acrylic, Dark Sky, Color

Note: 59 refers to P59 Textured Black, others colors available

Finial/Color:

AP-0378	AP-0367	AP-7522	
BL59	BL59	BL59	3" Ball, Color
ST59	ST59	ST59	Steeple, Color
SI59	SI59	SI59	Spire, Color
FL59	FL59	FL59	Fleur, Color

Note: 59 refers to P59 Textured Black, others colors available

Ribs/Color:

AP-0378	AP-0367	AP-7522	
T59	T59	T59	Tall, Color
TO59	TO59	TO59	Tall Open, Color
S59	S59	S59	Short, Color
SO59	SO59	SO59	Short Open, Color

Note: 59 refers to P59 Textured Black, others colors available



Note: 1. See Reference Section for available paint colors.
 2. Mounting hardware not included.



Bristol LED Retrofit Kit, Alum

AP-0655 - Wattage - Voltage - Photocell Socket - Coating
 37W=37 Watt UNV=120-277V NPC=None PNC=Process No Color
 57W=57 Watt 7P=7-Pin Socket P__=Paint



Bristol LED Retrofit Kit w/ Top Plate for 7-Pin, Alum

AP-0657 - Wattage - Voltage - Photocell Socket - Coating
 37W=37 Watt UNV=120-277V 7P=7-Pin Socket PNC=Process No Color
 57W=57 Watt P__=Paint



Windsor LED Retrofit Kit, Alum

AP-0658 - Wattage - Voltage - Photocell Socket - Coating
 37W=37 Watt UNV=120-277V NPC=None PNC=Process No Color
 57W=57 Watt 7P=7-Pin Socket



Renaissance LED Retrofit Kit, Alum

AP-0656 - Wattage - Voltage - Photocell Socket - Coating
 80W=80 Watt 120V=120 Volt NPC=None PNC=Process No Color

Note: 1. For converting existing luminaires to LED.
 2. See Reference Section for available paint colors.

This page is intentionally left blank.

Light Shield, House Side For Mogul Socket, 2-1/4" Dia Alum



Coating
AP-8433-
 PNC=Process No Color
 P__=Paint

The aluminum light shield clamps onto the mogul base socket in the Bristol HID Luminaires preventing unwanted light encroachment.

Light Shield, Security Alum

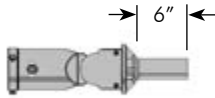
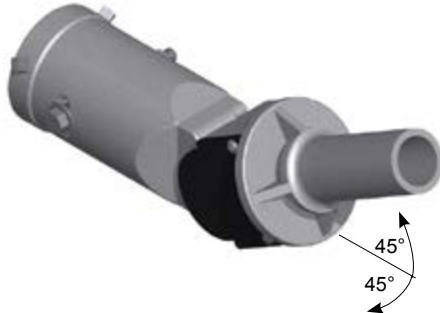


Coating
SP-6013-
 PNC=Process No Color
 P__=Paint

The aluminum baffle easily snaps onto most security lights preventing unwanted light encroachment.

Note: 1. See Reference Section for available paint colors.

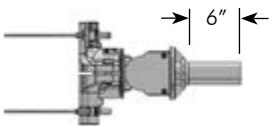
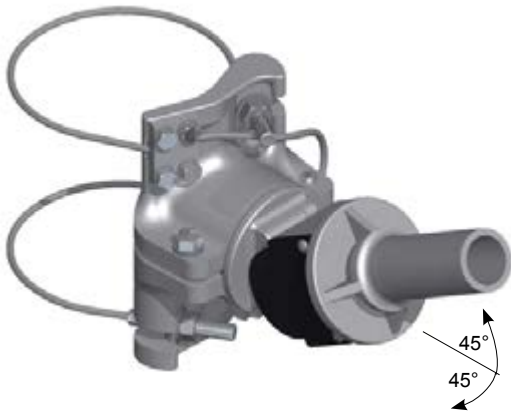
Lumi-Brac, 1-5/8" Dia Tenon Adjustable View 2-3/8" OD Tenon Mount, Alum



SP-6350 - Coating
 PNC= Process No Color
 P__=Paint

Note:
For mounting a single security light or Wi Fi antenna.

Lumi-Brac, 1-5/8" Dia Tenon Adjustable View Cable Mount, Alum



SP-6351 - Cable Length - Coating
 PNC= Process No Color
 P__=Paint

62=7" Max Pole Dia
 84=10.5" Max Pole Dia
 96=12.4" Max Pole Dia
 110=14.6" Max Pole Dia
 120=16.2" Max Pole Dia
 132=18.2" Max Pole Dia
 144=20.1" Max Pole Dia
 220=32.2" Max Pole Dia
 280=35.0" Max Pole Dia

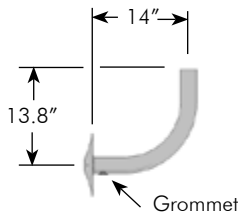
Note:
For mounting a single security light or Wi Fi antenna.
Stainless steel upgrade available: includes stainless cable.
Specify by including -SS in the part number, i.e., SP-6351-62-SS-PNC.

Note: 1. See Reference Section for available paint colors.



**Mounting Bracket Assy,
Single Luminaire Arm,
Galvanized Steel**

SP-6282-GLV

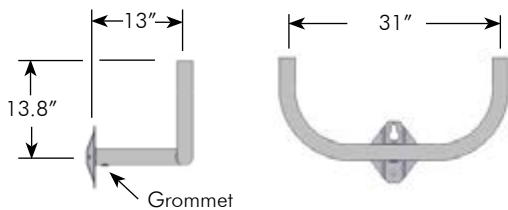


Bullhorn mounting bracket with a 2-3/8" OD pipe for mounting a single luminaire security light. Mounts with an offset from the wood pole and includes rubber grommet on the underneath side for wiring.



**Mounting Bracket Assy,
Double Luminaire Arms,
Galvanized Steel**

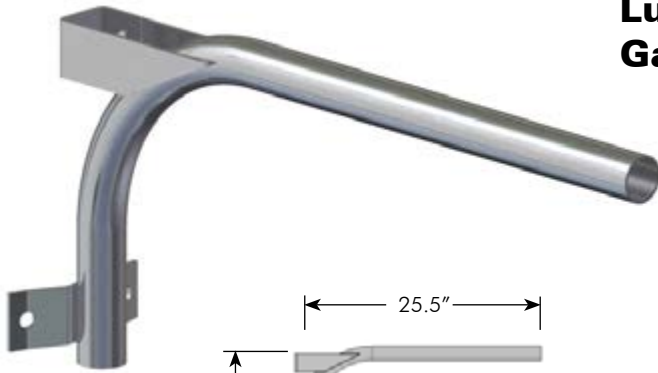
SP-6308-GLV



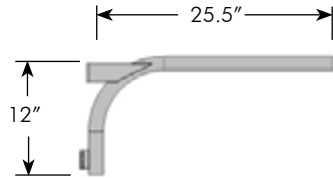
Bullhorn mounting bracket with a 2-3/8" OD pipe for mounting two luminaire security lights. Mounts with an offset from the wood pole and includes rubber grommet on the underneath side for wiring.

Note: 1. Luminaire arms are hot dip galvanized per ASTM A123.

Luminaire Support Arm, 1-5/8" OD Galvanized Steel

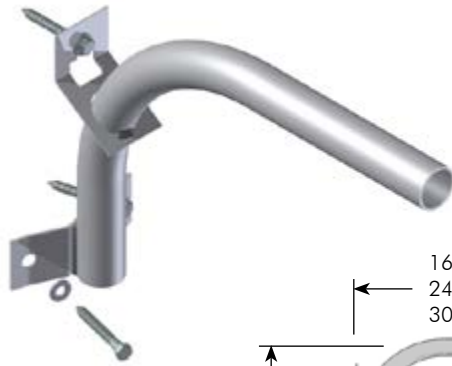


SP-6272-GLV



Luminaire support arm with a 1-5/8" OD pipe for mounting a single security light or Wi Fi antenna.

Luminaire Mounting Arm, 1-5/8" OD w/ Mounting Hardware, Alum



SP-6348-

Length Coating



-P40

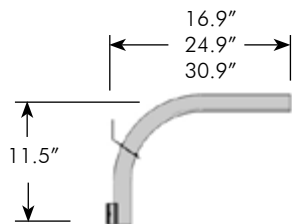
16=16"

PNC=Process No Color

24=24"

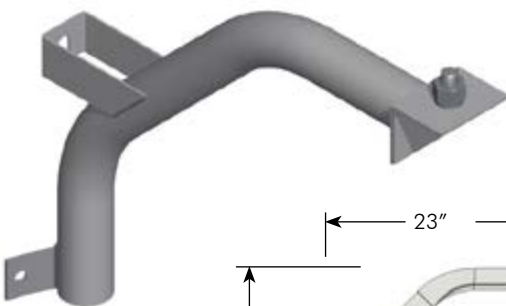
P__=Paint

30=30"

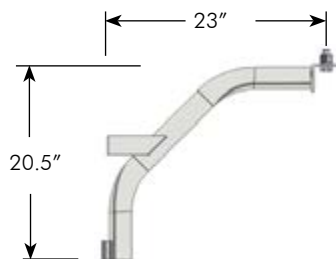


1-5/8" OD aluminum pipe with an option of length for mounting a single security light. 16" and 24" for mounting the Skyhawk or small Trenton luminaire. 30" for mounting the Skyhawk only. Includes three 3/8"-16 x 3" hex head lag bolts and flat washers. Typically powder coated P40 Silver, other colors available.

Mounting Arm Assy, Flood Light, 2-3/8" OD, Galvanized Steel



SP-6349-GLV



Mounting arm with a 2-3/8" OD pipe for mounting a single flood light with the provided 3/4"-10NC hardware.

Note: 1. Steel luminaire arms are hot dip galvanized per ASTM A123.
2. See Reference Section for available paint colors.

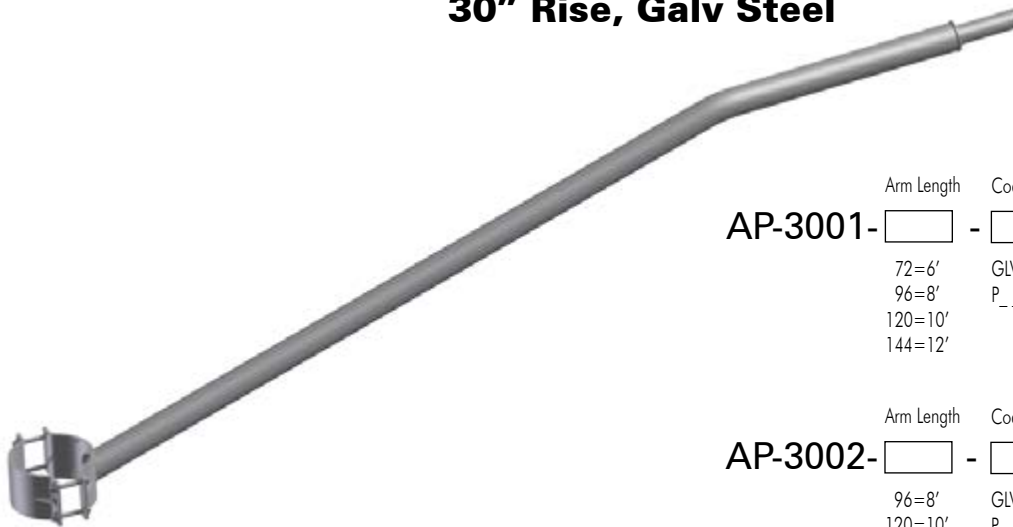
Luminaire Mounting Arm, 2-3/8" OD 54" Rise, Galvanized Steel



SP-6309-
 Coating
 GLV=Galvanized
 P__=Paint

For mounting a single luminaire on 2-3/8" OD x 6' schedule 10 pipe with a 54" rise. Mounting hardware not included. Galvanized or powder coated.

Luminaire Arm, Clamp-on, 2-3/8" Dia Tenon, 30" Rise, Galv Steel



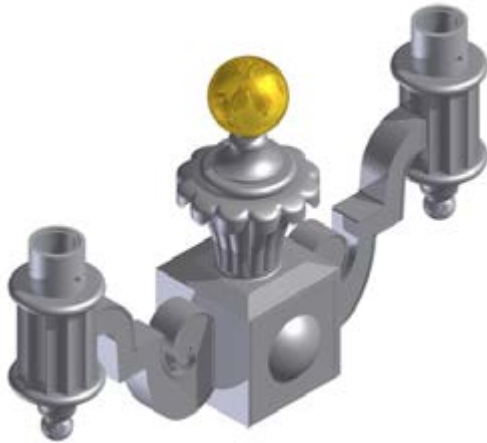
AP-3001- - for 4"-5"
 Dia Pole
 Arm Length Coating
 72=6' GLV=Galvanized
 96=8' P__=Paint
 120=10'
 144=12'

AP-3002- - for 5-1/2"
 to 7-1/2"
 Dia Pole
 Arm Length Coating
 96=8' GLV=Galvanized
 120=10' P__=Paint
 144=12'
 180=15'

For mounting a single luminaire onto the 2-3/8" dia x 8" long tenon. Includes 1/2"-13NC hardware for attaching arm to the pole. Galvanized or powder coated.

Note: 1. Steel luminaire arms are hot dip galvanized per ASTM A123.
 2. See Reference Section for available paint colors.

Twin Arm Assy, Alum w/ 3-1/2" Luminaire Tenons, 33" CTC Fits 2-7/8" Pole Tenon

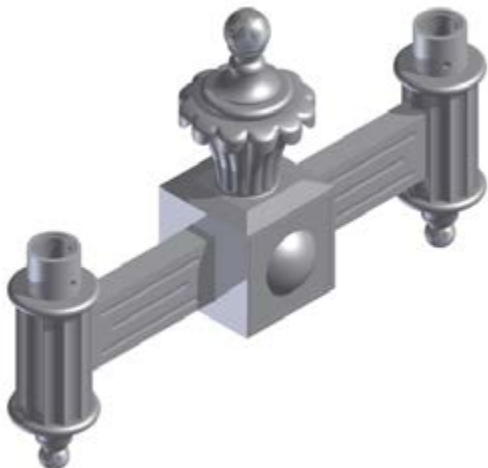


AP-8203- -
 BL__=2" Ball P__=Paint
 SL__=Spire
 SE__=Steeple
 FL__=Fleur



Pelco's twin arm can be mounted to a fluted or tapered pole. The twin arm can accommodate the Bristol, Windsor, or Newport luminaires and are available with a variety of finials to complement the luminaire.

Twin Arm Assy, Alum w/ 3-1/2" Luminaire Tenons, 35" CTC Fits 2-7/8" Pole Tenon



AP-8374- -
 BL__=2" Ball P__=Paint
 SL__=Spire
 SE__=Steeple
 FL__=Fleur



Pelco's straight twin arm can be mounted to a fluted or tapered pole. The twin arm can accommodate the Bristol, Windsor, or Newport luminaires and are available with a variety of finials to complement the luminaire.

Note: 1. See Reference Section for available paint colors.

Wall Mount Arm Assy, Alum 16-1/2" Offset from Wall



AP-8230- - -

Tenon Finial/Color Paint

2.8=2-13/16" OD BL__=2" Ball P__=Paint
3.5=3-1/2" OD SL__=Spire
SE__=Steeple
FL__=Fleur



2" Ball



Steeple



Spire



Fleur

Pelco's single arm is designed to mount to a wall or flat surface and can accommodate the Bristol, Windsor, or Newport luminaires. Available with a variety of finials to complement the luminaire.

Column Mount, Alum w/ 3-1/2" Luminaire Tenon 8-1/2" Bolt Circle for 1/2" Hardware



AP-8195- -

Collar Paint

Blank=No Collar P__=Paint
OC=Ornamental
Collar

Pelco's decorative Column Mount can accommodate the Bristol, Windsor, or Newport luminaires and is available with an optional collar for additional ornamentation.

Note: 1. See Reference Section for available paint colors.

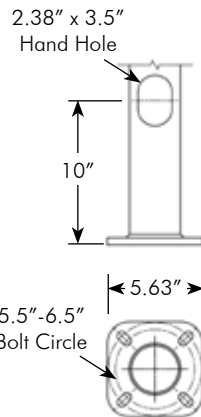
This page is intentionally left blank.



Light Pole, 3-1/2" OD Steel w/ Hand Hole

AP-0220-

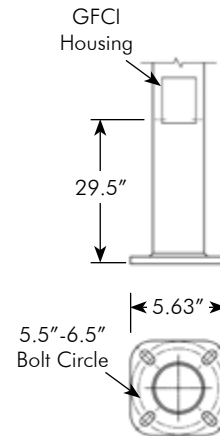
Height	Coating
<input type="text"/>	<input type="text"/>
05=5'	P__=Paint
08=8'	
10=10'	
12=12'	
14=14'	



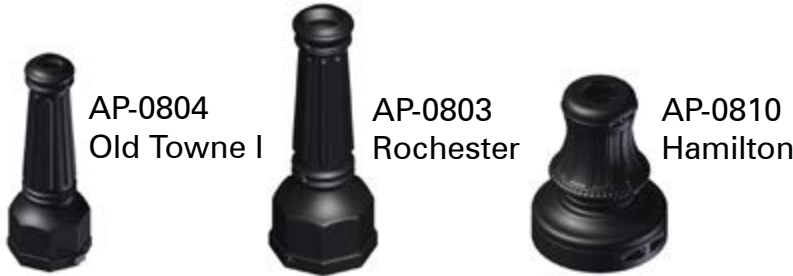
Light Pole, 3-1/2" OD Steel w/ GFCI Option

AP-0376-

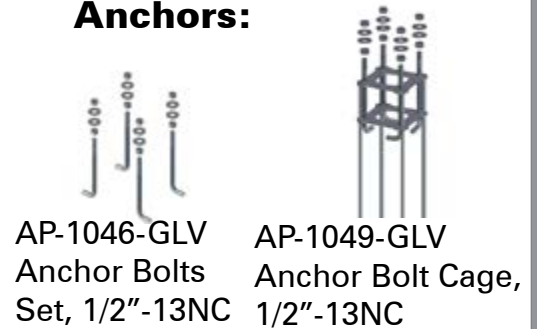
Height	GFCI	Coating
<input type="text"/>	<input type="text"/>	<input type="text"/>
05=5'	Blank=w/o Kit	P__=Paint
08=8'	GFCI=w/ Kit	
10=10'		
12=12'		
14=14'		



ABS Bases:



Anchors:



Aluminum Bases:



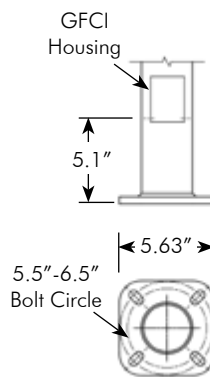
Note: 1. See Reference Section for available paint colors.
 2. For more indepth information on Bases see page U6-25 through U6-29.
 3. For Anchors see section U5.



Light Pole, 3-1/2" OD Steel w/ Lower GFCI Option

AP-0302- - -

Height: 05=5', 08=8', 10=10', 12=12', 14=14'
 GFCI: Blank=w/o Kit, GFCI=w/ Kit
 Coating: P__=Paint



ABS Bases:



AP-0803
Rochester I



AP-0810
Hamilton

Anchors:



AP-1046-GLV
Anchor Bolts
Set, 1/2"-13NC



AP-1049-GLV
Anchor Bolt Cage,
1/2"-13NC

Aluminum Bases:

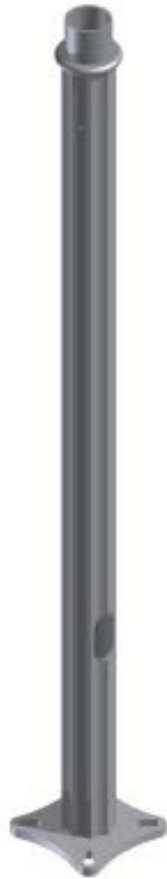


AP-0807
Old Towne II



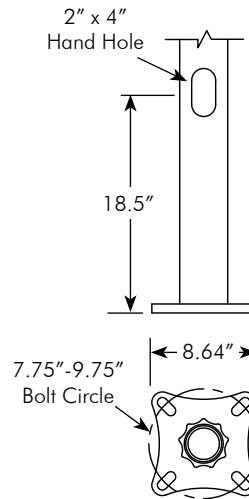
AP-0811
Country
Club

- Note: 1. See Reference Section for available paint colors.
 2. For more indepth information on Bases see page U6-25 through U6-29.
 3. For Anchors see section U5.



Light Pole, 3" Fluted, Alum w/ 3-1/2" x 3" Long Tenon 2" x 4" Hand Hole

AP-8119 - -
 Height Coating
 10=10' P__=Paint
 12=12'
 14=14'



ABS Bases:



AP-0809
Rochester II



AP-0803
Rochester I



AP-0810
Hamilton

Anchors:



AP-1019-GLV
Anchor Bolts
Set, 3/4"-10NC



AP-1089-GLV
Anchor Bolt Cage,
3/4"-10NC

Aluminum Bases:



AP-0814
LeGrande



AP-0811
Country
Club



AP-0816
Hamilton

PB-5416
Octagonal

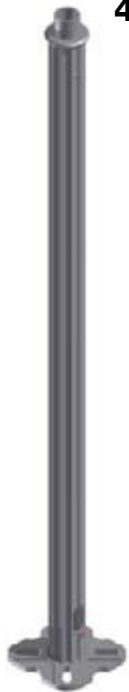


AP-0817
Oxford

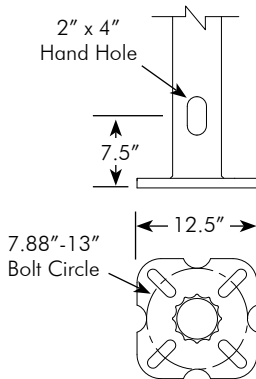


- Note: 1. See Reference Section for available paint colors.
 2. For more indepth information on Bases see page U6-25 through U6-29.
 3. For Anchors see section U5.

Light Pole, 4" Fluted, Alum w/ 3-1/2" OD x 2-7/8" Tenon, 2" x 4" Hand Hole, Ground Lug



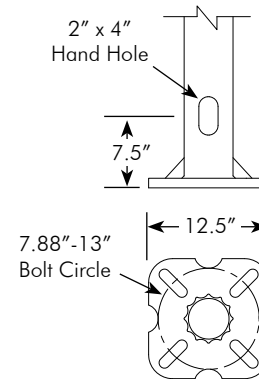
AP-8122- -
 Height Coating
 10=10' P__=Paint
 12=12'
 14=14'



Light Pole, 4" Fluted, Alum w/ 3-1/2" OD x 2-7/8" Tenon, 2" x 4" Hand Hole, Ground Lug



AP-8468- -
 Height Coating
 15=15' P__=Paint
 18=18'
 20=20'



ABS Bases:



AP-0809
Rochester II



AP-0810
Hamilton

Anchors:



AP-1019-GLV
Anchor Bolts
Set, 3/4"-10NC



AP-1089-GLV
Anchor Bolt Cage,
3/4"-10NC

Aluminum Bases:



AP-0814
LeGrande



AP-0819
Manchester



AP-0816
Hamilton



PB-5414
Octagonal



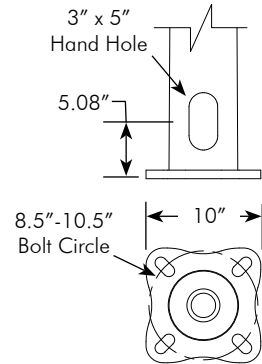
AP-0817
Oxford

- Note: 1. See Reference Section for available paint colors.
 2. For more indepth information on Bases see page U6-25 through U6-29.
 3. For Anchors see section U5.



Light Pole, Fluted Tapered, Steel w/ 3-1/2" OD x 3-1/2" Tenon, GFCI Option

AP-8700- - -
 Height: 8=8' 10=10' GFCI: Blank=w/o Kit GFCI=w/ Kit Coating: GLV=Galvanized P__=Paint



ABS Bases:



AP-0809-5.63-13.13
Rochester II



AP-0810-5.81-13.13
Hamilton

Anchors:



AP-1019-GLV
Anchor Bolts
Set, 3/4"-10NC



AP-1089-GLV
Anchor Bolt Cage,
3/4"-10NC

Aluminum Bases:



AP-0814-5.63
LeGrande



AP-0819-5.75
Manchester



AP-0816-5.75
Hamilton



AP-0817-6F
Oxford

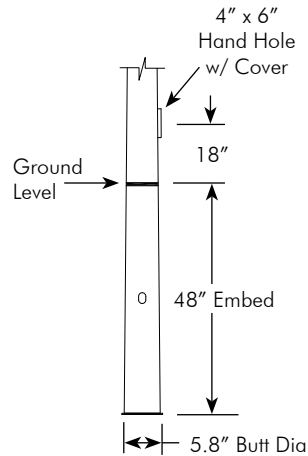
Note: 1. See Reference Section for available paint colors.
 2. For more in-depth information on Bases see page U6-25 through U6-29.
 3. For Anchors see section U5.

Direct Bury Light Pole, Tapered Steel 11 Gauge, 5.8" Butt x 19' Tall 3-1/2" OD x 3" Long Tenon, w/ Hand Hole Cover & Grounding Lug



AP-3056-

Coating
P__=Paint



ABS Bases:



AP-0809-4.88-5.63
Rochester II



AP-0803-4.88-5.63
Rochester I

AP-0817-5.25
Oxford



Aluminum Bases:

Ground Level →



AP-0814-4.88
LeGrande



AP-0811-5.00
Country Club



AP-0819-5.00
Manchester



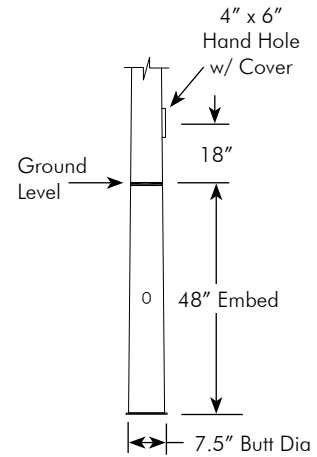
AP-0816-5.00
Hamilton

- Note: 1. See Reference Section for available paint colors.
2. For more indepth information on Bases see page U6-25 through U6-29.
3. For Anchors see section U5.

**Direct Bury Light Pole, Tapered Steel
11 Gauge, 7.5" Butt x 25' Tall
3-1/2" OD x 3" Long Tenon,
w/ Hand Hole Cover & Grounding Lug**



AP-3057- Coating
P__=Paint



ABS Bases:



AP-0809-6.56-7.25
Rochester II

Aluminum Bases:

Ground Level →



AP-0802-6.63
Ornamental



AP-0819-6.75
Manchester

AP-0816-6.75
Hamilton



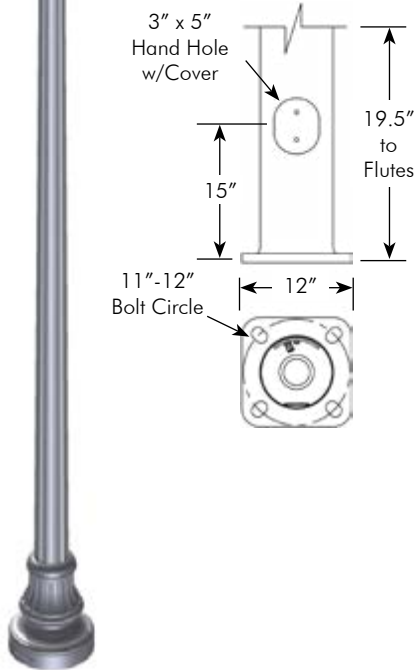
AP-0817-6.88
Oxford



- Note: 1. See Reference Section for available paint colors.
2. For more indepth information on Bases see page U6-25 through U6-29.
3. For Anchors see section U5.

Pole Height	Arm Length	Arm	Part Number	Allowable EPA (ft ²) per arm at 90 mph with max. luminaire weight of 60 lbs	Allowable EPA (ft ²) per arm at 100 mph with max. luminaire weight of 60 lbs
30'-0"	6'-0"	Single	AP-8327	7.0	5.6
	8'-0"	Single	AP-8347	4.6	3.6

Note:
 Majestic Poles come standard with Hamilton Base, for optional Hamilton Base w/ Riser specify by adding -BR in the part number, i.e., AP-8327-BR-P59
 EPA=Projected area of luminaire multiplied by coefficient of drag
 Compliant with AASHTO 2013



Anchors:



AP-1007-3-GLV
 Anchor Bolts
 Set, 1"-8NC



AP-3129-GLV
 Anchor Bolt Cage,
 1"-8NC



PB-5372-GLV
 6" Foundation
 Anchor



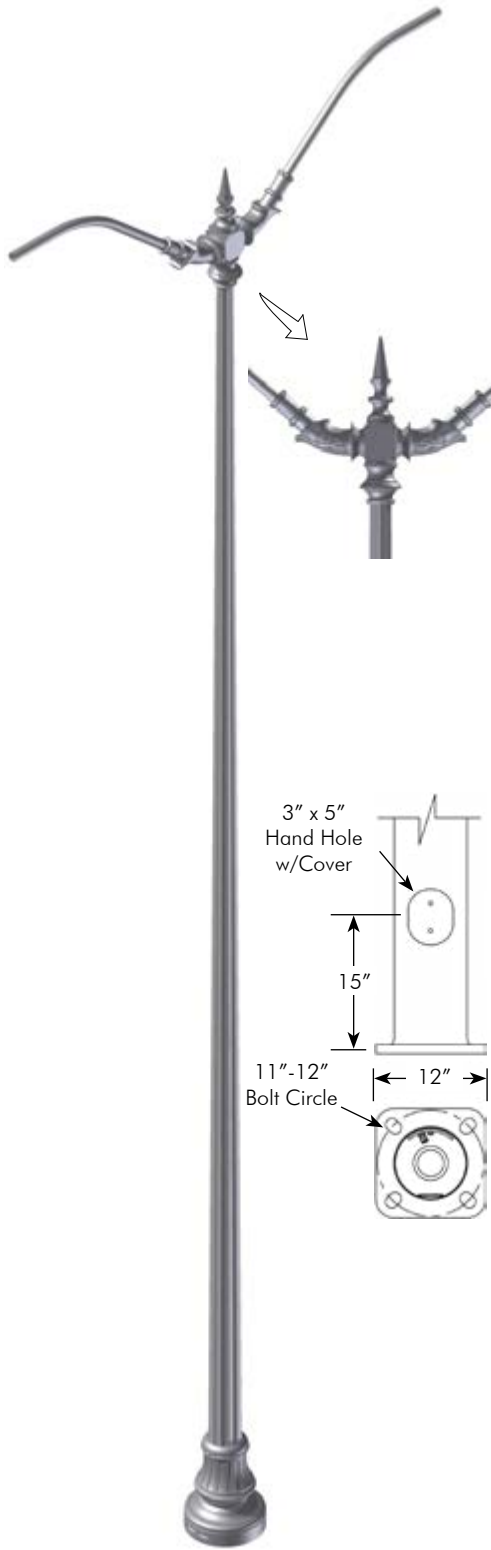
AP-0816-7.75
 Hamilton
 (Standard)



AP-0823-7.75
 Hamilton w/ Riser
 (Optional)

The Majestic Roadway Lighting Poles are available for single or twin luminaires and with 6' or 8' arms fabricated with a 29" rise. The fluted tapered steel pole offers great strength and durability, with the Hamilton base completing the classic decorative look.

- Note:
1. See Reference Section for available paint colors.
 2. For more indepth information on Bases see page U6-25 through U6-29.
 3. For Anchors see section U5.



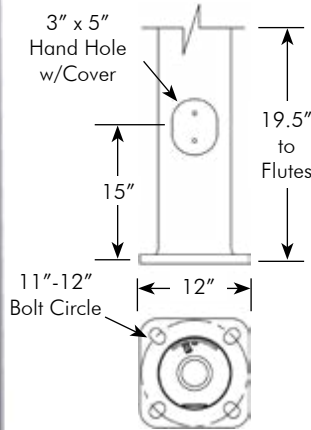
Pole Height	Arm Length	Arm	Part Number	Allowable EPA (ft ²) per arm at 90 mph with max. luminaire weight of 60 lbs	Allowable EPA (ft ²) per arm at 100 mph with max. luminaire weight of 60 lbs
30'-0"	6'-0"	Single	AP-8328	7.0	5.6
	8'-0"	Single	AP-8348	4.6	3.6

Note:

Majestic Poles come standard with Hamilton Base, for optional Hamilton Base w/ Riser specify by adding -BR in the part number, i.e., AP-8347-BR-P59

EPA=Projected area of luminaire multiplied by coefficient of drag
Compliant with AASHTO 2013

Anchors:



AP-1007-3-GLV
Anchor Bolts
Set, 1"-8NC



AP-3129-GLV
Anchor Bolt Cage,
1"-8NC



PB-5372-GLV
6" Foundation
Anchor

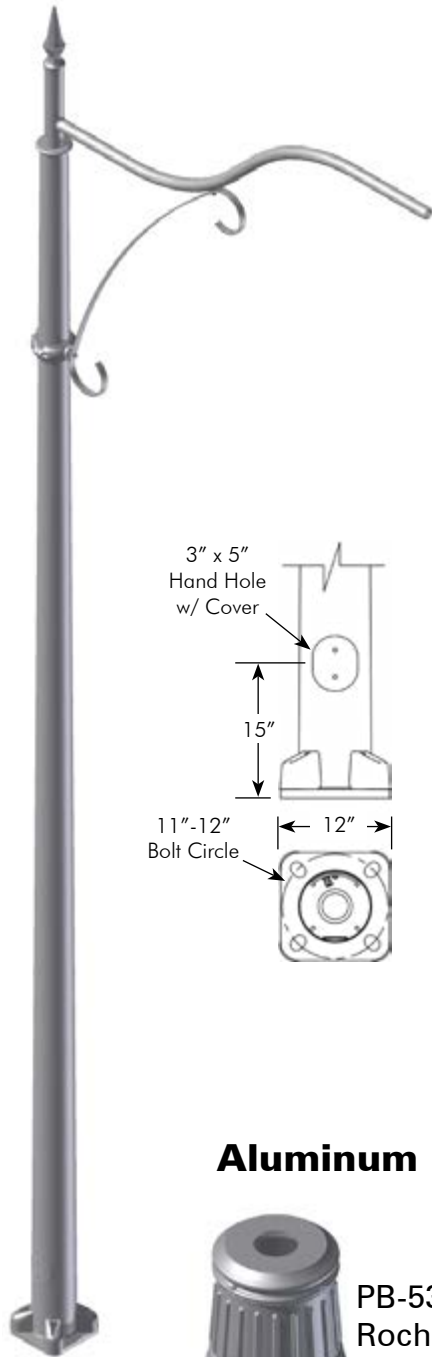


AP-0816-7.75
Hamilton
(Standard)



AP-0823-7.75
Hamilton w/
Riser
(Optional)

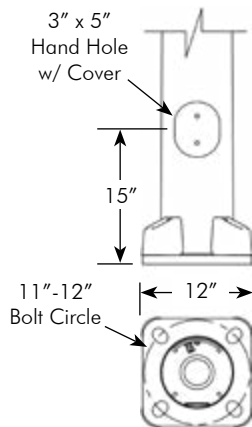
- Note: 1. See Reference Section for available paint colors.
2. For more indepth information on Bases see page U6-25 through U6-29.
3. For Anchors see section U5.



Pole Height	Arm Length	Arm	Part Number	Allowable EPA (ft ²) per arm at 90 mph with max. luminaire weight of 60 lbs	Allowable EPA (ft ²) per arm at 100 mph with max. luminaire weight of 60 lbs
22'-6"	8'-0"	Single	AP-8489	5.0	3.9
25'-0"	8'-0"	Single	AP-8556	4.8	3.8
30'-0"	8'-0"	Single	AP-8301	4.6	3.6

Note:

Bolt/Nut Covers are available by specifying -BC in the part number, i.e., AP-8301-BC-P59
 EPA=Projected area of luminaire multiplied by coefficient of drag
 Compliant with AASHTO 2013



Anchors:



AP-1007-3-GLV
Anchor Bolts
Set, 1"-8NC



AP-3129-GLV
Anchor Bolt Cage,
1"-8NC



PB-5372-GLV
6" Foundation
Anchor

Aluminum Bases:



PB-5384-7.69
Rochester



AP-0802-7.75
Ornamental

AP-0816-7.75
Hamilton

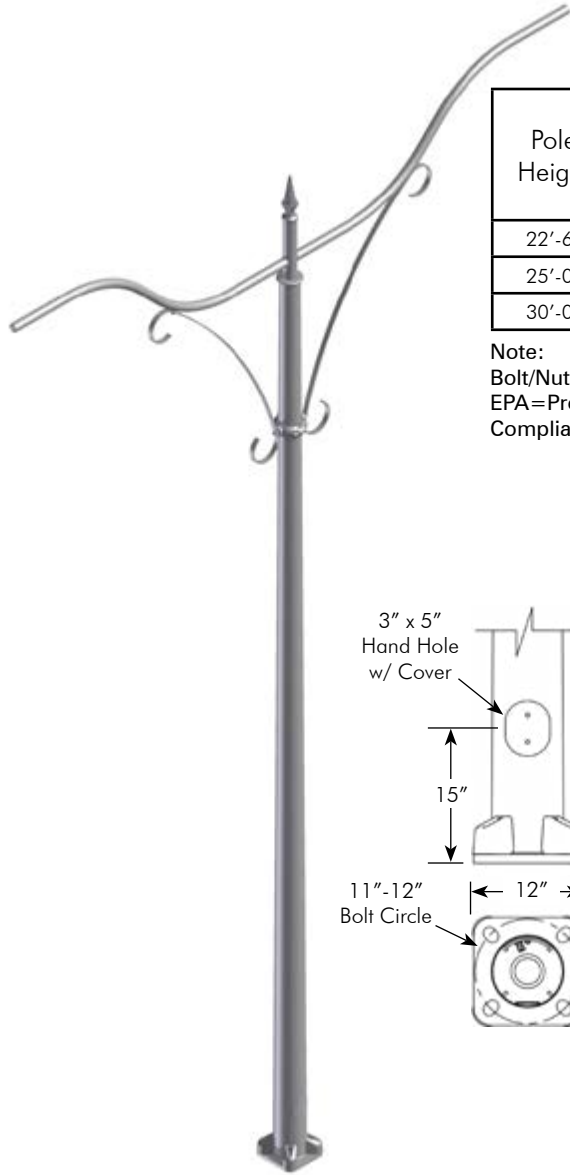


AP-0817-8.00
Oxford



The Traditional Roadway Luminaire Poles are available in 30' and 22-1/2' heights with 8' arms fabricated with a 26" rise. The steel tapered poles offer an affordable graceful look and can accept a variety of decorative bases or be provided with simple nut covers.

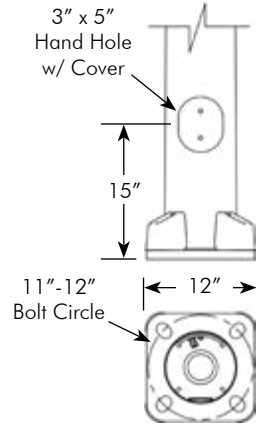
- Note: 1. See Reference Section for available paint colors.
- 2. For more indepth information on Bases see page U6-25 through U6-29.
- 3. For Anchors see section U5.



Pole Height	Arm Length	Arm	Part Number	Allowable EPA (ft ²) per arm at 90 mph with max. luminaire weight of 60 lbs	Allowable EPA (ft ²) per arm at 100 mph with max. luminaire weight of 60 lbs
22'-6"	8'-0"	Twin	AP-8490	5.0	3.9
25'-0"	8'-0"	Twin	AP-8563	4.8	3.8
30'-0"	8'-0"	Twin	AP-8302	4.6	3.6

Note:

Bolt/Nut Covers are available by specifying -BC in the part number, i.e., AP-8302-BC-P59
 EPA=Projected area of luminaire multiplied by coefficient of drag
 Compliant with AASHTO 2013



Anchors:



AP-1007-3-GLV
Anchor Bolts
Set, 1"-8NC



AP-3129-GLV
Anchor Bolt Cage,
1"-8NC



PB-5372-GLV
6" Foundation
Anchor

Aluminum Bases:



PB-5384-7.69
Rochester



AP-0802-7.75
Ornamental



AP-0816-7.75
Hamilton



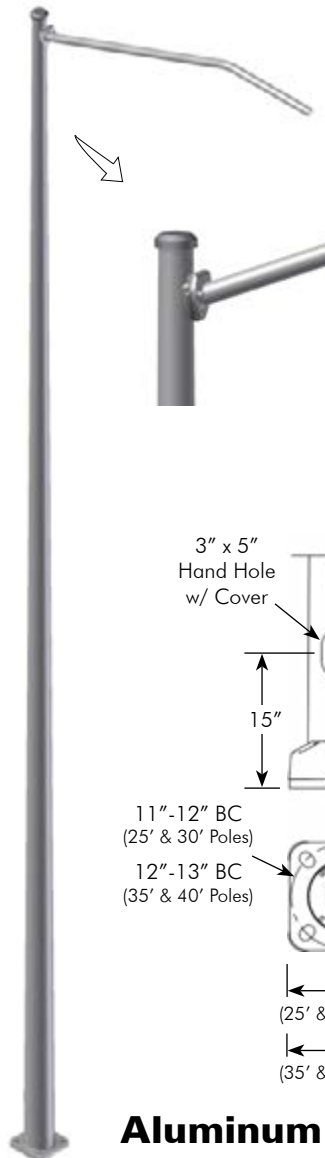
AP-0817-8.00
Oxford

- Note: 1. See Reference Section for available paint colors.
 2. For more indepth information on Bases see page U6-25 through U6-29.
 3. For Anchors see section U5.

Simplex Roadway Poles

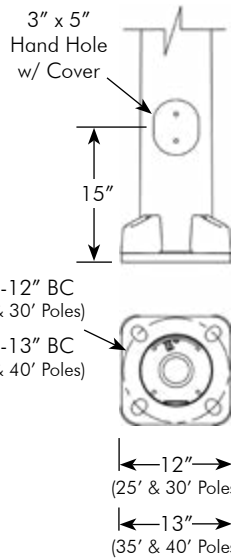


PELCO PRODUCTS, INC.



Pole Height	Arm Length	Arm	Part Number	Allowable EPA (ft ²) per arm at 90 mph with max. luminaire weight of 60 lbs	Allowable EPA (ft ²) per arm at 100 mph with max. luminaire weight of 60 lbs
25'-0"	6'-0"	Single	AP-8571-25-6	6.8	5.4
	8'-0"	Single	AP-8571-25-8	4.5	3.5
30'-0"	6'-0"	Single	AP-8571-30-6	6.5	5.2
	8'-0"	Single	AP-8571-30-8	4.3	3.3
35'-0"	6'-0"	Single	AP-8571-35-6	6.3	5.0
	8'-0"	Single	AP-8571-35-8	4.1	3.2
40'-0"	6'-0"	Single	AP-8571-40-6	6.1	4.8
	8'-0"	Single	AP-8571-40-8	4.0	3.1

Note:
Bolt/Nut Covers are available by specifying -BC in the part number, i.e., AP-8571-30-6-BC-GLV.
EPA=Projected area of luminaire multiplied by coefficient of drag
Compliant with AASHTO 2013



Anchors:



AP-1007-3-GLV
1"-8NC
(25' & 30' Poles)

AP-1020-GLV
1-1/4"-7NC
(35' & 40' Poles)



AP-3129-GLV
1"-8NC
(25' & 30' Poles)

AP-3146-GLV
1-1/4"-7NC
(35' & 40' Poles)



PB-5372-GLV
6" Foundation
Anchor
(25', 30', 35', & 40' Poles)

Aluminum Bases:



Pole Height	Base ID
25'	7.25"
30'	8.13"
35'	8.13"
40'	8.63"

PB-5384 Rochester



Pole Height	Base ID
25'	7.25"
30'	8.25"
35'	8.25"
40'	8.75"

AP-0802 Ornamental



Pole Height	Base ID
25'	7.31"
30'	7.88"
35'	N/A
40'	N/A

AP-0816 Hamilton

Pole Height	Base ID
25'	7.50"
30'	8.44"
35'	8.44"
40'	9.00"



AP-0817 Oxford

The Simplex Roadway Luminaire Poles are available in 25', 30', 35', and 40' heights. They are provided with either 6' or 8' single or twin arms fabricated with a 24" rise. The steel tapered poles can accept a variety of decorative bases or be provided with simple nut covers. Various anchor options are also available.

- Note: 1. See Reference Section for available paint colors.
2. For more in-depth information on Bases see page U6-25 through U6-29.
3. For Anchors see section U5.



Pole Height	Arm Length	Arm	Part Number	Allowable EPA (ft ²) per arm at 90 mph with max. luminaire weight of 60 lbs	Allowable EPA (ft ²) per arm at 100 mph with max. luminaire weight of 60 lbs
25'-0"	6'-0"	Twin	AP-8572-25-6	6.8	5.4
	8'-0"	Twin	AP-8572-25-8	4.5	3.5
30'-0"	6'-0"	Twin	AP-8572-30-6	6.5	5.2
	8'-0"	Twin	AP-8572-30-8	4.3	3.3
35'-0"	6'-0"	Twin	AP-8572-35-6	6.3	5.0
	8'-0"	Twin	AP-8572-35-8	4.1	3.2
40'-0"	6'-0"	Twin	AP-8572-40-6	6.1	4.8
	8'-0"	Twin	AP-8572-40-8	4.0	3.1

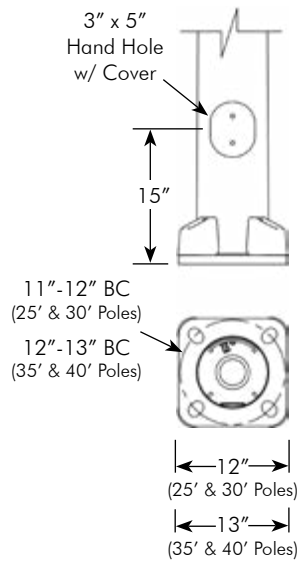
Note:

Bolt/Nut Covers are available by specifying -BC in the part number, i.e., AP-8572-30-6-BC-GLV.

EPA=Projected area of luminaire multiplied by coefficient of drag

Compliant with AASHTO 2013

Anchors:



AP-1007-3-GLV
1"-8NC
(25' & 30' Poles)

AP-1020-GLV
1-1/4"-7NC
(35' & 40' Poles)



AP-3129-GLV
1"-8NC
(25' & 30' Poles)

AP-3146-GLV
1-1/4"-7NC
(35' & 40' Poles)



PB-5372-GLV
6" Foundation
Anchor
(25', 30', 35', & 40' Poles)

Aluminum Bases:



Pole Height	Base ID
25'	7.25"
30'	8.13"
35'	8.13"
40'	8.63"

PB-5384 Rochester



Pole Height	Base ID
25'	7.25"
30'	8.25"
35'	8.25"
40'	8.75"

AP-0802 Ornamental



Pole Height	Base ID
25'	7.31"
30'	7.88"
35'	N/A
40'	N/A

AP-0816 Hamilton

Pole Height	Base ID
25'	7.50"
30'	8.44"
35'	8.44"
40'	9.00"



AP-0817 Oxford

- Note: 1. See Reference Section for available paint colors.
- 2. For more indepth information on Bases see page U6-25 through U6-29.
- 3. For Anchors see section U5.

This page is intentionally left blank.



Old Town I Base Assy, Black ABS Plastic 25" High x 9-1/4" Points

AP-0804 - $\overset{\text{Top ID}}{\boxed{}} - \overset{\text{Bottom ID}}{\boxed{}} - \text{PNC}$
 $3.5=3-1/2" \quad 7.5=7-1/2"$

Note: Top Opening: 3-1/2" max
Bottom Opening: 7-1/2" max



Rochester I Base Assy, Black ABS Plastic 41" High x 15-11/16" Across Points

AP-0803 - $\overset{\text{Top ID}}{\boxed{}} - \overset{\text{Bottom ID}}{\boxed{}} - \text{PNC}$
 $5.75=5-3/4" \quad 12.0=12"$

Note: Top Opening: 5-3/4" max
Bottom Opening: 12" max



Rochester II Base Assy, Black ABS Plastic 41" High x 19" Across Points

AP-0809 - $\overset{\text{Top ID}}{\boxed{}} - \overset{\text{Bottom ID}}{\boxed{}} - \text{PNC}$
 $9.0=9" \quad 15.0=15"$

Note: Top Opening: 9" max
Bottom Opening: 15" max



Hamilton Base Assy, Black ABS Plastic 21" High x 16-1/8" Base Dia

AP-0810 - $\overset{\text{Top ID}}{\boxed{}} - \overset{\text{Bottom ID}}{\boxed{}} - \text{PNC}$
 $6.5=6-1/2" \quad 14.5=14-1/2"$

Note: Top Opening: 6-1/2" max
Bottom Opening: 14-1/2" max

Note: 1. Refer to individual pole pages for cross reference for proper fit of base and pole.
2. ABS Plastic Bases are manufactured from an ultraviolet inhibited material that provides protections against U.V. degradation



Old Town I Base Assy, Alum 23-1/2" High x 9-1/4" Across Points

AP-0801 - -
 Base ID Coating
 2.38=2-3/8" PNC=Process No Color
 2.88=2-7/8" P__=Paint
 3.5=3-1/2"

Note: Top Opening: 2-3/8" min to 3-1/2" max
 Bottom Opening: 7-1/2" max



Old Town II Base Assy w/ Riser, Alum 28-1/2" High x 14-5/8" Across Points

AP-0807 - -
 Base ID Coating
 2.38=2-3/8" PNC=Process No Color
 2.88=2-7/8" P__=Paint
 3.5=3-1/2"

Note: Top Opening: 2-3/8" min to 3-1/2" max
 Bottom Opening: 13" max



Country Club Base Assy, Alum 28" High x 13-5/8" OD

AP-0811 - -
 Base ID Coating
 3.5=3-1/2" PNC=Process No Color
 4.5=4-1/2" P__=Paint
 3F= 3" Fluted

Note: Top Opening: 3-1/2" min to 4-1/2" max
 Bottom Opening: 12" max



Oxford Base Assy, Alum 9" High x 19-1/4" Across Points

AP-0817 - -
 Base ID Coating
 8.5= 8-1/2" PNC=Process No Color
 4F=4" Fluted P__=Paint
 6F=6" Fluted

Note: Top Opening: 3-1/2" min to 8-1/2" max
 Bottom Opening: 17" max

Note: 1. See Reference Section for available paint colors.
 2. Refer to individual pole pages for cross reference for proper fit of base and pole.



Huntington Base Assy, Alum 15-3/4" High x 11-1/4" OD

AP-0820 - -
Base ID Coating
3.5=3-1/2" PNC=Process No Color
4.0=4" P__=Paint

Note: Top Opening: 3" min to 4" max
 Bottom Opening: 10-3/4" max



Manchester Base Assy w/ Door, Alum 27" High x 18-1/2" OD

AP-0819 - -
Base ID Coating
4.0=4" PNC=Process No Color
7.0=7" P__=Paint
4F=4" Fluted

Note: Top Opening: 3" min to 4" max
 Bottom Opening: 7" max



LeGrande Base Assy, Alum 38" High x 18-1/2" OD

AP-0814 - -
Base ID Coating
3.5=3-1/2" PNC=Process No Color
4.5=4-1/2" P__=Paint
5.5=5-1/2"
3F= 3" Fluted
4F=4" Fluted

Note: Top Opening: 3-1/2" min to 5-3/4" max
 Bottom Opening: 17" max

Note: 1. See Reference Section for available paint colors.
 2. Refer to individual pole pages for cross reference for proper fit of base and pole.



Hamilton Base Assy, Alum 24" High x 18-1/2" OD

AP-0816 - -
 Base ID Coating
 4.06=4-1/16" PNC=Process No Color
 4.5=4-1/2" P__=Paint
 5.5=5-1/2"
 8.5=8-1/2" (max)

Note: Top Opening: 4" min to 8-1/2" max
 Bottom Opening: 16-3/4" max



Hamilton Base Assy, Alum 31-1/4" High x 18-1/2" OD

AP-0823 - -
 Base ID Coating
 4.06=4-1/16" PNC=Process No Color
 4.5=4-1/2" P__=Paint
 5.5=5-1/2"
 8.5=8-1/2" (max)

Note: Top Opening: 4" min to 8-1/2" max
 Bottom Opening: 16-3/4" max



Octagonal Base Assy, Alum 14-3/16" High x 17-13/16" Across Points

PB-5416 - -
 Base ID Coating
 2.88=2-7/8" PNC=Process No Color
 3.5=3-1/2" P__=Paint
 4=4"
 4.5=4-1/2"
 5=5"

Note: Top Opening: 2-7/8" min to 5" max
 Bottom Opening: 16" max



Octagonal Base Assy, for 4" Fluted Pole, Alum 14" High x 17-13/16" Across Points

PB-5414 -
 Coating
 PNC=Process No Color
 P__=Paint

Note: Top Opening: 4" Fluted Only
 Bottom Opening: 16" max

Note: 1. See Reference Section for available paint colors.
 2. Refer to individual pole pages for cross reference for proper fit of base and pole.



Rochester Base Assy, Alum 36" High x 28" Across Points

PB-5384 - -
 Base ID Coating
 8.0=8" PNC=Process No Color
 10.63=10-5/8" P__=Paint
 14.13=14-1/8"
 16"= 16"

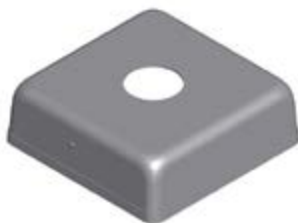
Note: Top Opening: 8" min to 16" max
 Bottom Opening: 26" max



Ornamental Base Assy, Alum 32" High x 28-3/4" Across Points

AP-0802 - - -
 Base ID Trim Coating
 8.0=8" T__=Trim Color PNC=Process No Color
 10.0=10" P__=Paint
 12.0= 12"

Note: Top Opening: 6" min to 12" max
 Bottom Opening: 23" max



Square Cover Assy, 2-Piece, Alum 5-1/4" High x 16" Square

PB-5399 - -
 Base ID Coating
 4.5=4-1/2" PNC=Process No Color
 6.8=6-13/16" P__=Paint
 7.5=7-1/2"
 8.0=8-1/2"

Note: Top Opening: 4-1/2" min to 8-5/8" max
 Bottom Opening: 15" max

Note: 1. See Reference Section for available paint colors.
 2. Refer to individual pole pages for cross reference for proper fit of base and pole.

This page is intentionally left blank.



Banner Mounting Bracket, Alum Hinged Single Arm,

SH-3551 -	<input type="text"/>	-	<input type="text"/>	-	<input type="text"/>	-	<input type="text"/>
	2.38=2-3/8"		18=18"		BL__=2" Ball		P__=Paint
	2.88=2-7/8"		24=24"		ST__=Steeple		
	3.50=3-1/2"		30=30"		SI__=Spire		
	4.06=3" Fluted		36=36"		FL__=Fleur		
	4.50=4-1/2"				SE__=1-1/2" Spear		
	5.08=4" Fluted						
	5.56=5-9/16"						



Note:
Shown with ball finial. Finial may be ordered as P28 Gold or same color as assembly.



Banner Mounting Bracket, Alum Hinged Articulating Single Arm

SH-3547 -	<input type="text"/>	-	<input type="text"/>	-	<input type="text"/>	-	<input type="text"/>
	2.38=2-3/8"		18=18"		BL__=2" Ball		P__=Paint
	2.88=2-7/8"		24=24"		ST__=Steeple		
	3.50=3-1/2"		30=30"		SI__=Spire		
	4.06=3" Fluted		36=36"		FL__=Fleur		
	4.50=4-1/2"				SE__=1-1/2" Spear		
	5.08=4" Fluted						
	5.56=5-9/16"						



Note:
Shown with ball finial. Finial may be ordered as P28 Gold or same color as assembly.



Banner Mounting Bracket, Alum Hinged Double Arm

SH-3556 -	<input type="text"/>	-	<input type="text"/>	-	<input type="text"/>	-	<input type="text"/>	-	<input type="text"/>
	2.38=2-3/8"		18=18"		18=18"		BL__=2" Ball		P__=Paint
	2.88=2-7/8"		24=24"		20=21"		ST__=Steeple		
	3.50=3-1/2"		30=30"		24=24"		SI__=Spire		
	4.06=3" Fluted		36=36"		30=30"		FL__=Fleur		
	4.50=4-1/2"				36=36"		SE__=1-1/2" Spear		
	5.08=4" Fluted								
	5.56=5-9/16"								



Note:
Shown with ball finial. Finial may be ordered as P28 Gold or same color as assembly.

Note: 1. See Reference Section for available paint colors.

Banner Mounting Bracket, Alum Band Mini-Brac



	Banner Width	BandLength/Painted	Finial/Color	Coating
SH-3520	- <input type="text"/>	- <input type="text"/>	- <input type="text"/>	- <input type="text"/>
	18=18"	29=29"	BL__=2" Ball	P__=Paint
	24=24"	42=42"	ST__=Steeple	
	30=30"	29PB=29" Painted	SL__=Spire	
	36=36"	42PB=42" Painted	FL__=Fleur	
			SE__=1-1/2" Spear	



Note:
Shown with ball finial. Finial may be ordered as P28 Gold or same color as assembly.

Banner Mounting Bracket, Alum Band Mini-Brac, Articulating Arm



	Banner Width	BandLength/Painted	Finial/Color	Coating
SH-3525	- <input type="text"/>	- <input type="text"/>	- <input type="text"/>	- <input type="text"/>
	18=18"	29=29"	BL__=2" Ball	P__=Paint
	24=24"	42=42"	ST__=Steeple	
	30=30"	29PB=29" Painted	SL__=Spire	
	36=36"	42PB=42" Painted	FL__=Fleur	
			SE__=1-1/2" Spear	



Note:
Shown with ball finial. Finial may be ordered as P28 Gold or same color as assembly.

Pelco has a wide variety of mounting bracket for banners and flags. Choose from ornamental hubs, banded mini-bracs, or flat mounted hubs. Banner bracs for square poles are also available, as well as articulating arms for collapsing against the pole.

Note: 1. See Reference Section for available paint colors.



Banner Mounting Bracket, Alum Universal Hub Mount

SH-3523 - Banner Width - Finial/Color - Coating

18=18" BL__=2" Ball P__=Paint
 24=24" ST__=Steeple
 30=30" SL__=Spire
 36=36" FL__=Fleur
 SE__=1-1/2" Spear



Note:

Shown with ball finial. Finial may be ordered as P28 Gold or same color as assembly.



Banner Mounting Bracket, Alum For Square Poles, Articulating Arm

SH-3532 - Pole Size - Banner Width - Finial/Color - Coating

4=4" Square 18=18" BL__=2" Ball P__=Paint
 5=2-7/8" Square 24=24" ST__=Steeple
 6.63=6-5/8" Square 30=30" SL__=Spire
 36=36" FL__=Fleur
 SE__=1-1/2" Spear



Note:

Shown with ball finial. Finial may be ordered as P28 Gold or same color as assembly.

Pelco has a wide variety of mounting bracket for banners and flags. Choose from ornamental hubs, banded mini-bracs, or flat mounted hubs. Banner bracs for square poles are also available, as well as articulating arms for collapsing against the pole.

Note: 1. See Reference Section for available paint colors.



Flag Mount, Hinged Articulating Serrated, Alum

SH-3549 - Pole Dia - Coating
 P__=Paint
 2.88=2-7/8"
 3.50=3-1/2"
 4.06=3" Fluted
 4.50=4-1/2"
 5.08=4" Fluted
 5.56=5-9/16"



Flag Mount, 2-Way Articulating Serrated, Alum

SH-3561 - Pole Dia - Coating
 P__=Paint
 2.88=2-7/8"
 3.50=3-1/2"
 4.06=3" Fluted
 4.50=4-1/2"
 5.08=4" Fluted
 5.56=5-9/16"



Flag Mount, Articulating Serrated, Alum Band Mini-Brac


SH-3539 - BandLength/Painted - Coating
 P__=Paint
 29=29"
 42=42"
 29PB=29" Painted
 42PB=42" Painted



Flag Mount w/ Articulating Serated, Alum Universal Hub

SH-3538 - Coating
 P__=Paint


Note: 1. See Reference Section for available paint colors.




Flag Rod Assy, Alum

AP-7380 - - -


42=42" BL__=2" Ball P__=Paint
 52=52" SE__=1-1/2" Spear
 SI__=Spire
 ST__=Steeple
 FL__=Fleur




3" Ball




Steeple



Spire




Fleur



Spear

Note:
Shown with steeple finial. Finial may be ordered as P28 Gold or same color as assembly.



Break-a-way Coupler, 1"-8NC, Alum For Banner Bracs

AP-7239 -

Coating
 P__=Paint

Pelco's Break-a-way Coupler can be mounted on any 1" banner rod for collapsing against the pole.

Note: 1. See Reference Section for available paint colors.