

Pelco Products, Inc. meets the needs of the traffic industry around the world by providing top quality products. Pelco's innovative designs lead the way with products that withstand the dynamic effects of nature, while adding value to any project. Utilizing the latest in technology and streamlined manufacturing, Pelco offers a complete line of traffic products and accessories. As an ISO 9001 certified company, Pelco is dedicated to meeting the needs of our customers while adhering to regulatory requirements based on quality management principles.

Astro-Brac

Introduced in 1968, the Astro-Brac family of signal, sign, and camera mounts has proven to be the most versatile mounting system ever designed. With continual improvement of the Astro-Brac product line, Pelco can provide a solution for virtually any mounting requirement. Available in various style clamp kits with band, cable, or tenon mount, the Astro-Brac can mount to any shape of mast arm or pole.

Signal Mountings

Post Top, Side-of-Pole, Span Wire, or Mast Arm mounts in aluminum, iron, or bronze can provide the solution to any traffic mounting application while meeting municipalities standard specifications.

IntelliCross, Push Buttons & Stations

Pelco's IntelliCross APS turns an intersection into a fully actuated pedestrian intersection. Modular Pedestrian Stations offer a versatile flexible option for various sign sizes. Pelco's durable Push Buttons are available in many switch combinations, including the Passport Piezo and those that meet the American with Disabilities Act.

Backplates & GPL's

Pelco offers a wide variety of ABS vacuum formed backplates in both standard and louvered styles, to fit inline and cluster signal head configurations. The Pelco GPL is an easy to install signal louvering system, designed for both lane control and sight distance applications. It offers a less expensive alternative to standard OPS signal heads.

Signal Poles & Bases

Pelco's cast aluminum Square Pedestal Base is FHWA certified which meets or exceeds AASHTO break-away requirements. Pelco also offers round, tapered and fluted poles in aluminum, steel and fiberglass.

Mounting Components

Pelco maintains the industries most extensive line of individual hardware and replacement items.

Lighting Solutions & Signage

Pelco offers a variety of luminaires, customized for specific requirements, as well as poles, arms, bases, and anchors for mounting them. A variety of mounting assemblies are also available for MUTCD compliant or custom signage.

Flasher Cabinets, Camera & Sensor Mounts, Mast Arms & Poles, Disconnect Hangers, Decorative Bases

These and many other products are illustrated in our standard catalog. Visit www.pelcoinc.com to view our catalog online or request a paper copy to be mailed to your business address.

Special Applications

Pelco Products, Inc. has always strived to provide the industries best source for products that fill special and unique mounting applications. Our design and engineering capabilities have resulted in hundreds of assemblies that, over the years, have solved mounting problems for customers all over the world. If you do not find the product you need in our standard catalog, contact Pelco Products, Inc. We may have an existing assembly to meet your needs.

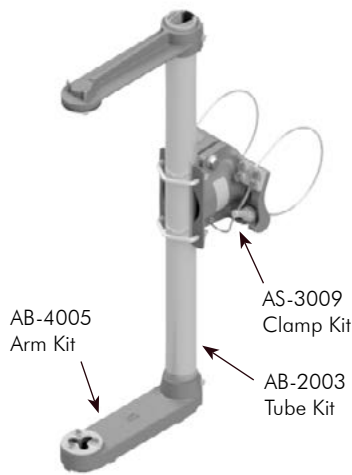


- **Product Index**
- **Part Numbering System**
- **Coatings**
- **Conversion Chart**
- **Terms and Conditions**
- **Shipping Notice**
- **Warranty**
- **Product Sections T1 - T16**

| | |
|--|------------|
| Astro-Brac Signal Mountings | T1 |
| Bracket Assy's, Clamp Kits, Arm Kits, Tubes, Hardware Kits | |
| Free-Swinging Signal Mountings | T2 |
| 1-Way, 2-Way, Clusters, Disconnect Hangers, Tethers, Hardware Kits | |
| Rigid Side-of-Pole | T3 |
| 1-Way, 2-Way, Tandem, Terminal Compartments | |
| Rigid Post Top | T4 |
| Slip Fitters, 1-Way, 2-Way, Terminal Compartments | |
| Rigid Tenon Mount | T5 |
| Plumbizers, Mast Arm Hangers | |
| Sign Mountings | T6 |
| Astro Sign-Brac, Mast Arm Mounts, Span Wire Sign Hangers | |
| Camera Mountings | T7 |
| Astro-Brac, Mast Arm, Side-of-Pole, Span Wire | |
| Pedestrian Push Buttons | T8 |
| Intellicross, Piezo, Round, Rectangular, Stations, Signs | |
| Cabinets | T9 |
| Flasher Controllers, Cabinets, Mounting Assy's, Locks | |
| Backplates | T10 |
| Vacuum Formed, Reflective, Flat, Louvered, Split | |
| Poles & Bases | T11 |
| Pedestal Bases, Plastic Doors, Poles, Caps, Anchor Bolts | |
| Mast Arms & Poles | T12 |
| Ornamental Bases, Pole & Arm Clamps, Mast Arms & Poles, ITC Assy's, Foundation Anchors | |
| Traffic Accessories | T13 |
| GPL's, Visors, Confirmation Lights, Copper Safe® | |
| Components | T14 |
| Pipe Fittings, Span Wire, Balance Adjusters, Hubs & Mounting Brackets, Banding, Buckles | |
| Lighting Poles | T15 |
| Luminaires, Lighting Arms, Poles, Bases, Banner Bracs | |
| Decorative Signage | T16 |
| Regulatory Signs, Street Name Signs, Sign Frames, Sign Mounts, Sign Posts | |

Following is a typical example of how to construct a unique part number for ordering. Options such as signal section, cable length, stainless upgrade, etc., should be indicated by filling in the blank boxes with specific information as shown below. All part numbers should consist of the base part number and at least a finish or coating suffix.

Example:



Astro-Brac Stellar Assy, 1-Way Cable Mount

| | | | | | | | | |
|---------|---|---|---|---------------------------|---|-------------------------------------|---|--|
| AS-0125 | - | Signal Section 3 | - | Cable Length 62 | - | Cable Blank=Galv SS=Stainless | - | Coating P33 PNC=Process No Color P__=Paint |
| | | 1=1 Sec 2=2 Sec 3=3 Sec 4=4 Sec 5=5 Sec | | See Note | | | | |



Note:
Cable Length: 62", 84", 96", 110", 120", 132", 144", 220", or 280".

| |
|-------------------------|
| Part Number |
| AS-0125-3-62-P33 |

Signal Section —
Cable Length —
Coating —

Astro-Brac Assembly, Stellar Mount, 1-Way for 3-Section Signal w/ 62" Galv Cable, Powder Coat Gloss Black

- Pelco's standard products with typical options are shown in this catalog. Special options are often available upon request.
- State Specials and Customer Specific Specials are not included in this catalog.
- All information is assumed to be correct at the time of printing. For the most up-to-date information, please check Pelco's online catalog at www.pelcoinc.com

| CODE | COATING |
|------|---------------------|
| PNC | Process No Color |
| BOX | Black Oxide |
| BRS | Brass |
| CRM | Chrome |
| EC1 | E-coat Black |
| GLV | Galvanized |
| ZN1 | Zinc Bright |
| ZN2 | Zinc Yellow |
| P_ _ | Paint (add color #) |

| POWDER COAT STANDARD COLORS | |
|--------------------------------|-------------------------------|
| P29 | Federal Yellow |
| P30 | Automatic Green |
| P33 | Gloss Black |
| P34 | Flat Black |
| P36 | New York State Green (forest) |
| P38 | Louisiana Green |
| P39 | Bronze |
| P40 | Silver |

| WET PAINT STANDARD COLORS | |
|------------------------------|---------------------------------|
| P01 | Federal Yellow |
| P03 | Flat Black |
| P04 | Gloss Black |
| P05 | New York State Green (forest) |
| P06 | Automatic Green (dark olive) |
| P16 | Industrial Red Primer |
| P22 | Gloss White (industrial enamel) |

| POWDER COAT SPECIAL COLORS | |
|-----------------------------------|------------------------------|
| (SUBJECT TO SPECIAL SETUP CHARGE) | |
| P28 | Sun Gold (w/ clear top coat) |
| P32 | Clear Coat |
| P35 | Iron Gray |
| P40 | Silver (w/ clear top coat) |
| P44 | Antique Black Matte |
| P45 | Super Wet White |
| P46 | Brown Rust |
| P47 | Brown Base |
| P48 | Gray Primer (zinc rich) |
| P49 | Cratered Pewter |
| P51 | Cratered Bronze |
| P61 | Blood Red |
| P62 | MDC Gray |
| P63 | Mocha Brown |
| P64 | KOMO Bronze |
| P69 | Brushing Brown |
| P71 | Dark Green |
| P74 | Bottle Green |
| P75 | Fir Green |
| P76 | Forest Green |
| P79 | Dark Sepia Brown |

Note:

Pelco can match your custom colors.
Please provide the following and contact Pelco for pricing.

- For custom powder: RAL number or paint chip.
- For wet paint: Federal Standard 595 paint code or paint chip.

Special setup and paint charge will apply.

| Astro-Brac Band Length Stellar, Atlas | |
|--|--------------------------|
| Band Length | Max Pole Diameter |
| 29" | 7.3" |
| 36" | 9.6" |
| 42" | 11.5" |
| 48" | 13.4" |
| 56" | 15.9" |
| 72" | 21.0" |
| 84" | 24.8" |
| 96" | 28.7" |
| 114" | 34.4" |

| Astro-Brac Cable Length Stellar, Atlas, Galaxy | | |
|---|--------------------------|--------------------------------|
| Cable Length | Max Pole Diameter | Pole Dia w/ Ty-back |
| 62" | 7.0" | 4.5" |
| 84" | 10.5" | 7.6" |
| 96" | 12.4" | 9.6" |
| 110" | 14.6" | 11.8" |
| 120" | 16.2" | 13.4" |
| 132" | 18.2" | 15.3" |
| 144" | 20.1" | 17.2" |
| 220" | 32.2" | 29.3" |
| 280" | 35.0" | 35.0" |

| Astro-Brac Band Length Mini-Brac, Triton | |
|---|--------------------------|
| Band Length | Max Pole Diameter |
| 29" | 7.3" |
| 36" | 9.6" |
| 42" | 11.5" |
| 48" | 13.4" |
| 56" | 15.9" |
| 72" | 21.0" |
| 84" | 22.0" |

| Astro-Brac Cable Length Mini-Brac, Triton | |
|--|--------------------------|
| Cable Length | Max Pole Diameter |
| 45" | 11.1" |
| 62" | 16.6" |
| 84" | 22.0" |

Note:

Circumference to Diameter Conversion

Circumference ÷ pi = Diameter

Example: (12" ÷ 3.14) = 3.82"

| TUBE LENGTH Standard & Tri-Bolt Signals | |
|--|-----------------------------------|
| 23" | 1-section 12" |
| 37" | 2-section 12" & 5-section cluster |
| 46" | 3-section 12" |
| 58" | 4-section 12" |
| 74" | 5-section 12" |

| TUBE LENGTH 1-1/2" NPS OPS Signals | |
|---|---------------|
| 50" | 3-section 12" |
| 66" | 4-section 12" |
| 82" | 5-section 12" |

PAYMENT TERMS

Net 30 Days.

A 1½% per month (18% APR Service Charge) will be assessed on invoices whose payment has not been received within 45 days.

CREDIT CARD TERMS

We accept American Express, Mastercard, Visa, and Discover. A service fee of 3% will be added to all invoices. Credit Card will be charged prior to shipment.

CREDIT HOLD

Accounts over 90 Days will be placed on credit hold and remain so until brought current including Service Charges. Orders on credit hold will be pulled from production and will only be rescheduled for shipment after release from credit hold.

MINIMUM BILLING

A \$20.00 Minimum Service Charge will be assessed to each order for \$50.00 or less.

F.O.B. POINT

Edmond, Oklahoma unless otherwise quoted.

PRICING

As stated in Price Schedule, *prices are subject to change without notice.*

QUOTATIONS

Pricing on quotations is firm for 30 days from date of quotation unless otherwise indicated. Please reference quotation when ordering.

CANCELLATIONS

Orders cancelled for stock items will be assessed at a minimum of 10% of net value.

Orders cancelled for special or non-stock items will be assessed at a minimum of 20% of net value.

CUSTOMER PICK UP

Customer pick up requests will be accommodated. A 10% service charge will apply if not picked up within 30 days of notification of completion of order.

SHIPMENT & DELIVERY

Pelco is very diligent in selecting the most competent and economical carrier. However, upon written request Pelco will use a carrier of your specific choice. See Shipping Notice, in the Reference Section of this catalog, for shipment specifics and freight claims.

RETURNED GOODS

In order to expedite handling, written authorization must accompany all returned goods. Upon request, a Returned Merchandise Authorization (RMA) will be issued and must be used. Use this RMA as a packing list when returning a shipment. A restocking fee plus freight charges shall be assessed against the return of goods unless return of goods was due to an error of Pelco.

REQUESTS FOR CERTIFICATIONS

Representative material test reports are available on request for most Pelco products. If your order contains materials that require lot or heat treat number traceability, or if the materials must be of domestic origin, those requirements must be clearly stated at the time your order is placed.

Shipping Notice included with each shipment:

NOTICE

SHIPMENTS MADE WITH FACTORY AS F.O.B. POINT

-CARRIER HAS ACCEPTED SHIPMENT IN GOOD CONDITION-
LOST OR DAMAGED GOODS ARE THE CARRIER'S RESPONSIBILITY in all shipments of this type.

PELCO'S Responsibility For This Shipment Has Now Ceased.

CHECK YOUR SHIPMENT CAREFULLY WHEN DELIVERED to see that it is in good order and received complete. When packages check short or are in bad condition, have the Carrier's agent make notation of this fact in detail on the freight bill or express receipt and then require that he sign it.

LOST OR DAMAGED GOODS ARE THE CARRIER'S RESPONSIBILITY in all LTL (less than truckload) shipments. In TL (truckload) shipments, the Carrier is responsible for damage to exposed surfaces of the goods (top and ends) caused by collision with other vehicles or objects when the Carrier is negligent, and by loading other freight on or against Pelco goods. When the trailer itself shows evidence of fresh damage, call at once for inspection of the contents just as though it were an LTL shipment.

CONCEALED LOSS OR DAMAGE DISCOVERED AFTER DELIVERY of shipment must be reported to the delivering Carrier upon discovery, and in any event within 15 days after receipt. Hold goods, containers, and packing materials in exact condition as found for inspection by the Carrier. An inspector for the Carrier should call within 48 hours. If nothing is heard in that time, notify them by registered mail and get a receipt. The Carrier will issue an inspection report and give you a copy which must be used to support your claim.

FAILURE TO COMPLY WITH ANY OF THE FOREGOING REGULATIONS IS REGARDED AS INDICATING COMPLETE DELIVERY OF FREIGHT IN GOOD CONDITION.

Make Your Claim Promptly
Carrier Will Not Consider a Claim Unless Presented Within 9 Months After Receipt of Shipment.

IMPORTANT!

DO NOT DEDUCT THE AMOUNT OF LOSS OR DAMAGE from Pelco invoice while awaiting adjustment of a claim, as we can not guarantee safe delivery for actions beyond our control.

Please do not return goods to Pelco or instruct Carriers to return goods without first securing written authorization and shipping instructions.

SHIPMENTS MADE WITH DESTINATION AS F.O.B. POINT

-CARRIER HAS ACCEPTED SHIPMENT IN GOOD CONDITION-

CHECK YOUR SHIPMENT CAREFULLY WHEN DELIVERED to see that it is in good order and received complete.

When packages check short or are in damaged condition, have the carriers agent make notation of this fact on the freight bill or express receipt, and then require that he sign it.

Check your shipment immediately to make sure the contents agree with the Pelco packing list enclosed and to determine if any damage has occurred during transit.

Any shortages and or concealed damages MUST be reported to Pelco within 10 DAYS.

FAILURE TO COMPLY WITH THE FOREGOING IS REGARDED AS AN INDICATION THAT YOUR SHIPMENT HAS ARRIVED IN SATISFACTORY CONDITION AND THAT IT IS COMPLETE AS SHOWN ON OUR PACKING LIST.

Please do not return damaged goods to Pelco without first securing authorization and shipping instructions.

Pelco will make every effort possible to effect prompt correction of any short or damaged goods when claims are made within these guidelines.



320 W. 18th St.
Edmond, OK 73013
(405)340-3434 FAX:(405)340-3435



WARRANTY

General: All statements, technical information and recommendations contained in Pelco Product Brochures and Bulletins are based on tests Pelco believes to be reliable. However, the accuracy or completeness thereof is not guaranteed and the following is made in lieu of all warranties, expressed or implied:

Limited Warranty: Pelco's only obligations shall be to replace such quantity of the product proven to be defective.

Repair or replacement of any product will be made at Pelco's facilities. The extent of repair or replacement is at Pelco's discretion. Transportation to and from Pelco's facilities is the responsibility of the buyer.

Pelco shall not be liable for injury, loss or damage direct or consequential arising out of the use of, or the inability to use the product. Before using, user shall determine the suitability of the product for his intended use, and assumes all risk and liability whatsoever in connection therewith. No statement or recommendation not contained herein shall have any effect unless in an agreement signed by the officers of Pelco Products Inc.

Warranty Period: Unless otherwise noted, standard product warranty is 12 months from date of shipment.

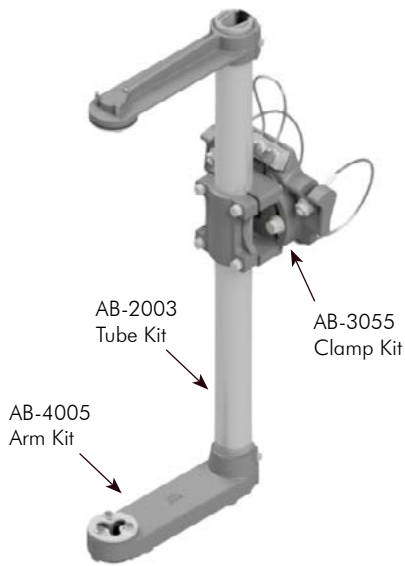
Contact Pelco for complete warranty details and exclusions.

1-Way Assemblies

Designed to accommodate all traffic signals, with the exception of optically programmed (see pages T1-18 through T1-21). The Galaxy and Stellar Astro-Brac series feature all-axis adjustability and are designed to facilitate the mounting of any size signal to any shape mast arm or pole.



Astro-Brac

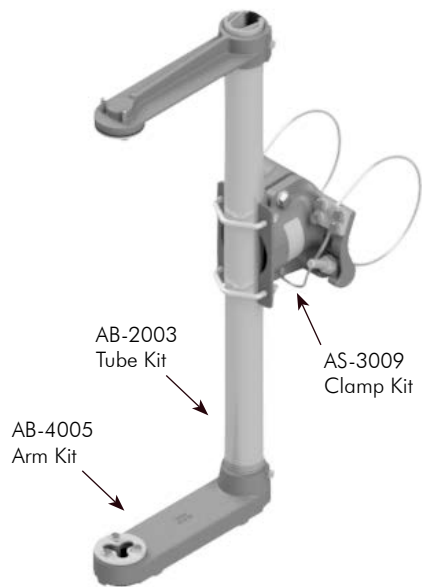


Astro-Brac Galaxy Assy, 1-Way Cable Mount

| | | | | | | | | |
|---------|---|----------------------|---|----------------------|---|----------------------|---|----------------------|
| AG-0125 | - | <input type="text"/> | - | <input type="text"/> | - | <input type="text"/> | - | <input type="text"/> |
| | | Signal Section | | Cable Length | | Cable | | Coating |
| | | 1=1 Sec | | See Note | | Blank=Galv | | PNC=Process No Color |
| | | 2=2 Sec | | | | SS=Stainless | | P__=Paint |
| | | 3=3 Sec | | | | | | |
| | | 4=4 Sec | | | | | | |
| | | 5=5 Sec | | | | | | |



Note:
Cable Length: 62", 84", 96", 110", 120", 132", 144", 220", or 280".



Astro-Brac Stellar Assy, 1-Way Cable Mount

| | | | | | | | | |
|---------|---|----------------------|---|----------------------|---|----------------------|---|----------------------|
| AS-0125 | - | <input type="text"/> | - | <input type="text"/> | - | <input type="text"/> | - | <input type="text"/> |
| | | Signal Section | | Cable Length | | Cable | | Coating |
| | | 1=1 Sec | | See Note | | Blank=Galv | | PNC=Process No Color |
| | | 2=2 Sec | | | | SS=Stainless | | P__=Paint |
| | | 3=3 Sec | | | | | | |
| | | 4=4 Sec | | | | | | |
| | | 5=5 Sec | | | | | | |



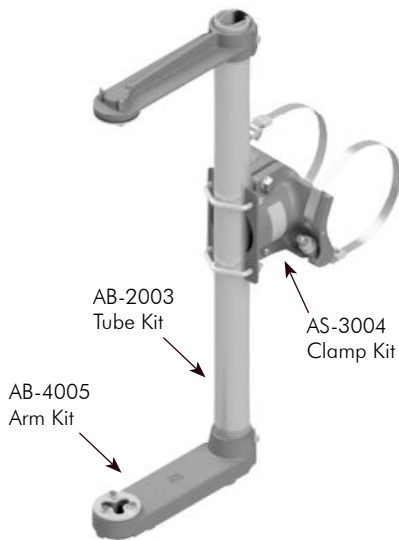
Note:
Cable Length: 62", 84", 96", 110", 120", 132", 144", 220", or 280".

- Note: 1. All assemblies are supplied standard with stainless steel slotted washers and fasteners.
2. See Reference Section page iv for cable and band clamp kit pole diameters.
3. See Reference Section for available paint colors.



1-Way Assemblies

Designed to accommodate all traffic signals, with the exception of optically programmed featured on pages T1-18 and T1-21. The Galaxy and Stellar Astro-Brac series feature all-axis adjustability and are designed to facilitate the mounting of any size signal to any shape mast arm or pole.

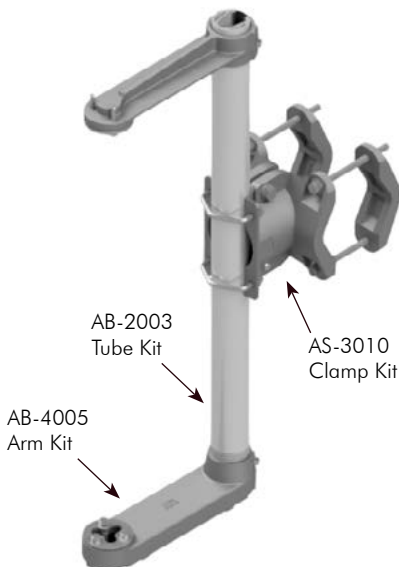


Astro-Brac Stellar Assy, 1-Way Band Mount

| | | | | | | | | |
|---------|---|----------------------|---|----------------------|---|----------------------|---|----------------------|
| AS-0116 | - | <input type="text"/> | - | <input type="text"/> | - | <input type="text"/> | - | <input type="text"/> |
| | | Signal Section | | Band Length | | Clamp Screw | | Coating |
| | | 1=1 Sec | | See Note | | Blank=Galv | | PNC=Process No Color |
| | | 2=2 Sec | | | | SS=Stainless | | P__=Paint |
| | | 3=3 Sec | | | | | | |
| | | 4=4 Sec | | | | | | |
| | | 5=5 Sec | | | | | | |



Note:
Band Length: 29", 36", 42", 48", 56", 72", 84", 96", or 114".



Astro-Brac Stellar Assy, 1-Way Tenon Mount

| | | | | |
|---------|---|----------------------|---|----------------------|
| AS-0137 | - | <input type="text"/> | - | <input type="text"/> |
| | | Signal Section | | Coating |
| | | 1=1 Sec | | PNC=Process No Color |
| | | 2=2 Sec | | P__=Paint |
| | | 3=3 Sec | | |
| | | 4=4 Sec | | |
| | | 5=5 Sec | | |



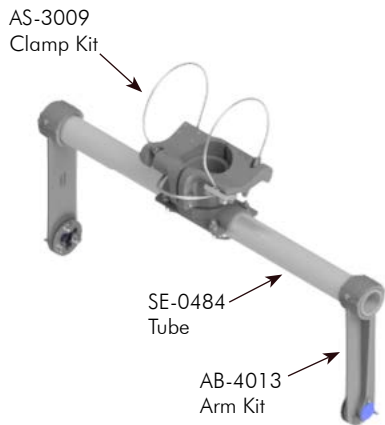
Note:
Fits 1.9" to 4.5" diameter.

Note: 1. All assemblies are supplied standard with stainless steel slotted washers and fasteners.
2. See Reference Section page iv for cable and band clamp kit pole diameters.
3. See Reference Section for available paint colors.



1-Way Horizontal Assemblies

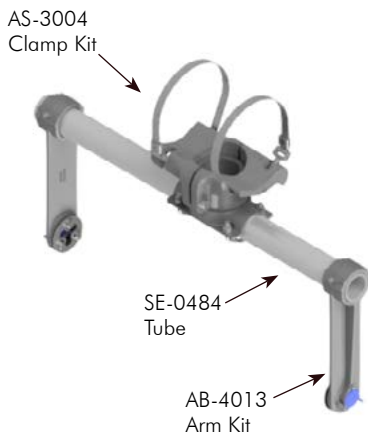
The Astro-Brac easily adapts to mount signals horizontally from a mast arm. When adjustments for skewed angles are necessary, the articulating bracket is a must.



Astro-Brac Stellar Assy, 1-Way Horizontal Cable Mount

| | | | | | | | | |
|---------|---|----------------------|---|----------------------|---|----------------------|---|----------------------|
| AS-0194 | - | <input type="text"/> | - | <input type="text"/> | - | <input type="text"/> | - | <input type="text"/> |
| | | Signal Section | | Cable Length | | Cable | | Coating |
| | | 1=1 Sec | | See Note | | Blank=Galv | | PNC=Process No Color |
| | | 2=2 Sec | | | | SS=Stainless | | P__=Paint |
| | | 3=3 Sec | | | | | | |
| | | 4=4 Sec | | | | | | |
| | | 5=5 Sec | | | | | | |

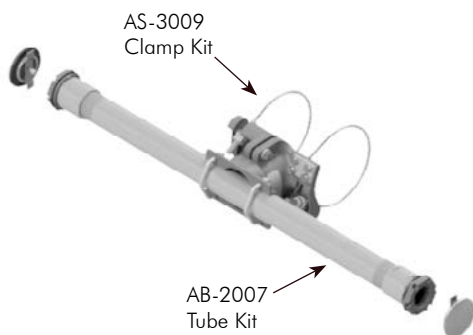
Note:
Cable Length: 62", 84", 96", 110", 120", 132", 144", 220", or 280".



Astro-Brac Stellar Assy, 1-Way Horizontal Band Mount

| | | | | | | | | |
|---------|---|----------------------|---|----------------------|---|----------------------|---|----------------------|
| AS-0124 | - | <input type="text"/> | - | <input type="text"/> | - | <input type="text"/> | - | <input type="text"/> |
| | | Signal Section | | Band Length | | Clamp Screw | | Coating |
| | | 1=1 Sec | | See Note | | Blank=Galv | | PNC=Process No Color |
| | | 2=2 Sec | | | | SS=Stainless | | P__=Paint |
| | | 3=3 Sec | | | | | | |
| | | 4=4 Sec | | | | | | |
| | | 5=5 Sec | | | | | | |

Note:
Band Length: 29", 36", 42", 48", 56", 72", 84", 96", or 114".



Astro-Brac Stellar Assy, 1-Way w/ Signal Closures Horizontal Cable Mount

| | | | | | | | | |
|---------|---|----------------------|---|----------------------|---|----------------------|---|----------------------|
| AS-0684 | - | <input type="text"/> | - | <input type="text"/> | - | <input type="text"/> | - | <input type="text"/> |
| | | Tube Length | | Cable Length | | Cable | | Coating |
| | | 24=24" Tube | | See Note | | Blank=Galv | | PNC=Process No Color |
| | | 36=24" Tube | | | | SS=Stainless | | P__=Paint |
| | | 48=48" Tube | | | | | | |

Note:
Cable Length: 62", 84", 96", 110", 120", 132", 144", 220", or 280".

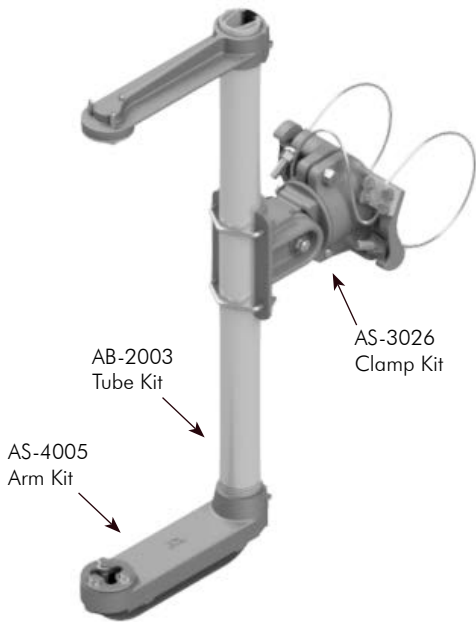


- Note: 1. All assemblies are supplied standard with stainless steel slotted washers and fasteners.
2. See Reference Section page iv for cable and band clamp kit pole diameters.
3. See Reference Section for available paint colors.



1-Way Articulating Assemblies

The Atlas Astro-Brac series is capable of concealing one 3/4" diameter or two 5/8" diameter conduits. The internal wiring capability and 3 axis of adjustability can handle even the toughest alignment problems and make this system truly universal.

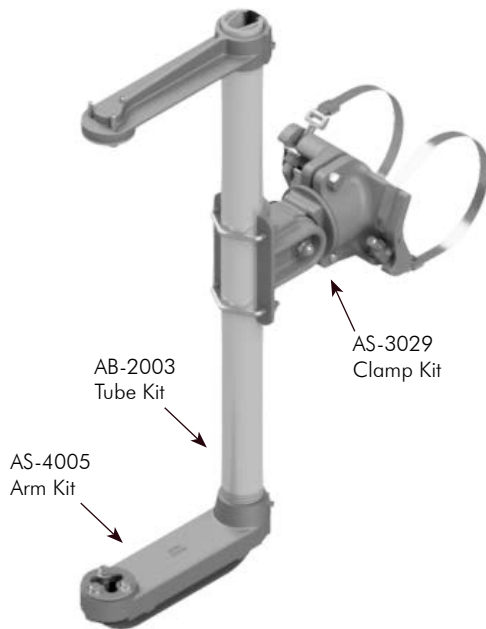


Astro-Brac Atlas Assy, 1-Way Articulating Cable Mount

| | | | | | | | | |
|---------|---|----------------------|---|----------------------|---|----------------------|---|----------------------|
| AS-0150 | - | <input type="text"/> | - | <input type="text"/> | - | <input type="text"/> | - | <input type="text"/> |
| | | Signal Section | | Cable Length | | Cable | | Coating |
| | | 1=1 Sec | | See Note | | Blank=Galv | | PNC=Process No Color |
| | | 2=2 Sec | | | | SS=Stainless | | P__=Paint |
| | | 3=3 Sec | | | | | | |
| | | 4=4 Sec | | | | | | |
| | | 5=5 Sec | | | | | | |



Note:
Cable Length: 62", 84", 96", 110", 120", 132", 144", 220", or 280".



Astro-Brac Atlas Assy, 1-Way Articulating Band Mount

| | | | | | | | | |
|---------|---|----------------------|---|----------------------|---|----------------------|---|----------------------|
| AS-0153 | - | <input type="text"/> | - | <input type="text"/> | - | <input type="text"/> | - | <input type="text"/> |
| | | Signal Section | | Band Length | | Clamp Screw | | Coating |
| | | 1=1 Sec | | See Note | | Blank=Galv | | PNC=Process No Color |
| | | 2=2 Sec | | | | SS=Stainless | | P__=Paint |
| | | 3=3 Sec | | | | | | |
| | | 4=4 Sec | | | | | | |
| | | 5=5 Sec | | | | | | |



Note:
Band Length: 29", 36", 42", 48", 56", 72", 84", 96", or 114".

Note: 1. All assemblies are supplied standard with stainless steel slotted washers and fasteners.
2. See Reference Section for clamp kit pole diameters.
3. See Reference Section for available paint colors.

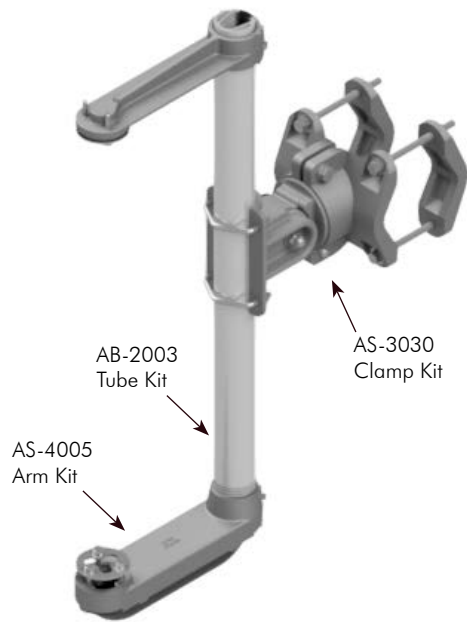


1-Way Articulating Assemblies

The Atlas Astro-Brac series is capable of concealing one 3/4" diameter or two 5/8" diameter conduits. The internal wiring capability and 3 axis of adjustability can handle even the toughest alignment problems and make this system truly universal.



Astro-Brac

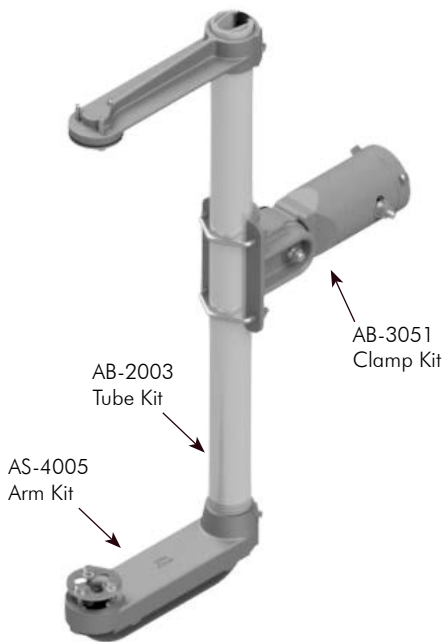


Astro-Brac Atlas Assy, 1-Way Articulating Tenon Mount

| | | | | |
|---------|---|----------------|---|----------------------|
| AS-0154 | - | Signal Section | - | Coating |
| | | 1=1 Sec | | PNC=Process No Color |
| | | 2=2 Sec | | P__=Paint |
| | | 3=3 Sec | | |
| | | 4=4 Sec | | |
| | | 5=5 Sec | | |



Note:
Fits 1.9" to 4.5" diameter.



Astro-Brac Atlas Assy, 1-Way Articulating Tenon Mount

| | | | | |
|---------|---|----------------|---|----------------------|
| AS-0149 | - | Signal Section | - | Coating |
| | | 1=1 Sec | | PNC=Process No Color |
| | | 2=2 Sec | | P__=Paint |
| | | 3=3 Sec | | |
| | | 4=4 Sec | | |
| | | 5=5 Sec | | |



Note:
Fits 1.9" diameter.

Note: 1. All assemblies are supplied standard with stainless steel slotted washers and fasteners.
2. See Reference Section for available paint colors.



This page is intentionally left blank.

Astro-Brac

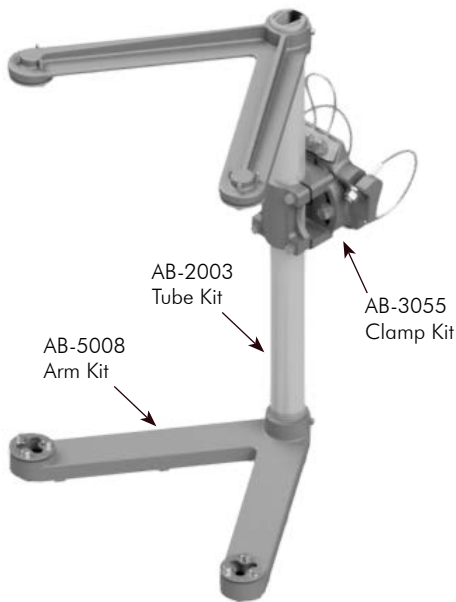


2-Way Assemblies

Designed to accommodate all traffic signals, with the exception of optically programmed (see pages T1-18 through T1-21). The Galaxy and Stellar Astro-Brac series feature all-axis adjustability and are designed to facilitate the mounting of 2-way signals on any shape of mast arm or pole.



Astro-Brac

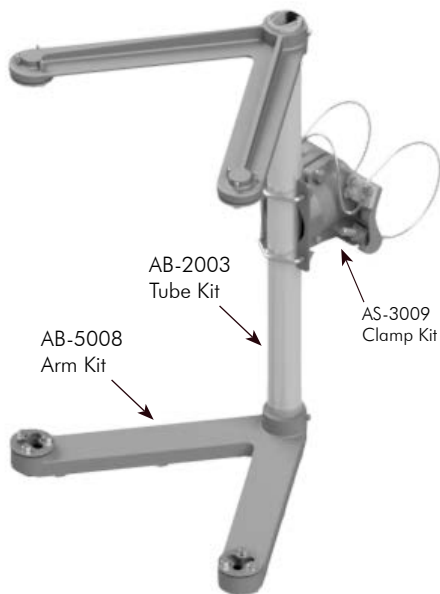


Astro-Brac Galaxy Assy, 2-Way Cable Mount

| | | | | | | | | |
|---------|---|----------------------|---|----------------------|---|----------------------|---|----------------------|
| AG-0188 | - | <input type="text"/> | - | <input type="text"/> | - | <input type="text"/> | - | <input type="text"/> |
| | | Signal Section | | Cable Length | | Cable | | Coating |
| | | 1=1 Sec | | See Note | | Blank=Galv | | PNC=Process No Color |
| | | 2=2 Sec | | | | SS=Stainless | | P__=Paint |
| | | 3=3 Sec | | | | | | |
| | | 4=4 Sec | | | | | | |
| | | 5=5 Sec | | | | | | |

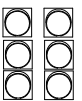


Note:
Cable Length: 62", 84", 96", 110", 120", 132", 144", 220", or 280".



Astro-Brac Stellar Assy, 2-Way Cable Mount

| | | | | | | | | |
|---------|---|----------------------|---|----------------------|---|----------------------|---|----------------------|
| AS-0188 | - | <input type="text"/> | - | <input type="text"/> | - | <input type="text"/> | - | <input type="text"/> |
| | | Signal Section | | Cable Length | | Cable | | Coating |
| | | 1=1 Sec | | See Note | | Blank=Galv | | PNC=Process No Color |
| | | 2=2 Sec | | | | SS=Stainless | | P__=Paint |
| | | 3=3 Sec | | | | | | |
| | | 4=4 Sec | | | | | | |
| | | 5=5 Sec | | | | | | |



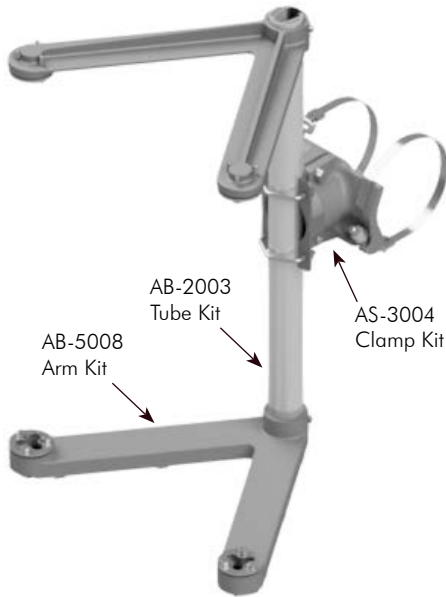
Note:
Cable Length: 62", 84", 96", 110", 120", 132", 144", 220", or 280".

- Note: 1. All assemblies are supplied standard with stainless steel slotted washers and fasteners.
2. See Reference Section for clamp kit pole diameters.
3. See Reference Section for available paint colors.



2-Way Assemblies

Designed to accommodate all traffic signals, with the exception of optically programmed (see pages T1-18 through T1-21). The Stellar Astro-Brac series feature all-axis adjustability and are designed to facilitate the mounting of 2-way signals to any shape of mast arm or pole.



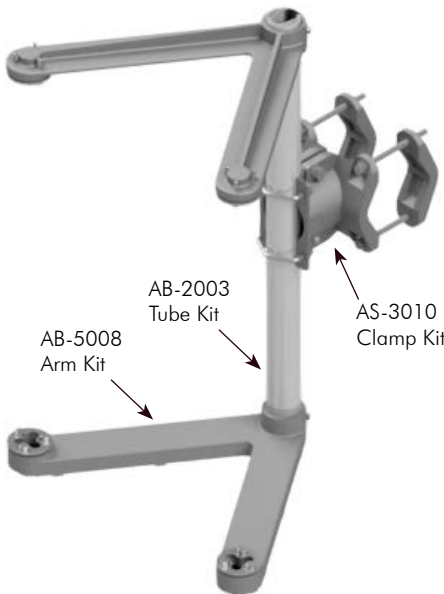
Astro-Brac Stellar Assy, 2-Way Band Mount

AS-0110 - - - -

| | | | |
|----------------|-------------|--------------|----------------------|
| Signal Section | Band Length | Clamp Screw | Coating |
| 1=1 Sec | See Note | Blank=Galv | PNC=Process No Color |
| 2=2 Sec | | SS=Stainless | P__=Paint |
| 3=3 Sec | | | |
| 4=4 Sec | | | |
| 5=5 Sec | | | |



Note:
Band Length: 29", 36", 42", 48", 56", 72", 84", 96", or 114".



Astro-Brac Stellar Assy, 2-Way Tenon Mount

AS-0641 - -

| | |
|----------------|----------------------|
| Signal Section | Coating |
| 1=1 Sec | PNC=Process No Color |
| 2=2 Sec | P__=Paint |
| 3=3 Sec | |
| 4=4 Sec | |
| 5=5 Sec | |



Note:
Fits 1.9" to 4.5" diameter.

Note: 1. All assemblies are supplied standard with stainless steel slotted washers and fasteners.
2. See Reference Section for clamp kit pole diameters.
3. See Reference Section for available paint colors.

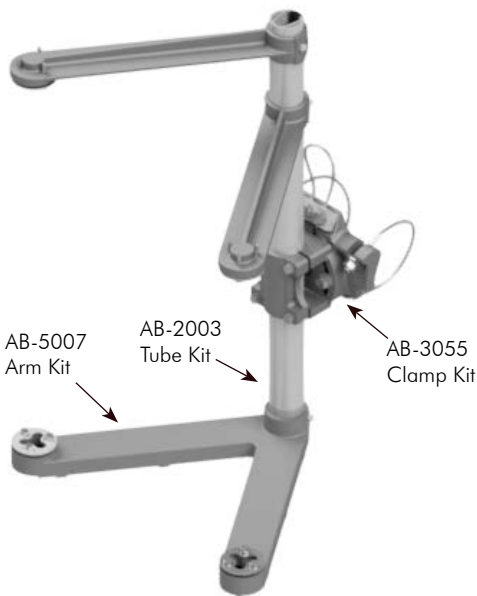


2-Way Variable Assemblies

Designed to accommodate all traffic signals, with the exception of optically programmed (see pages T1-18 through T1-21). The 2-Way Variable Galaxy and Stellar Astro-Brac features all-axis adjustability and is designed to facilitate the mounting of unbalanced signal combinations to any shape mast arm or pole



Astro-Brac

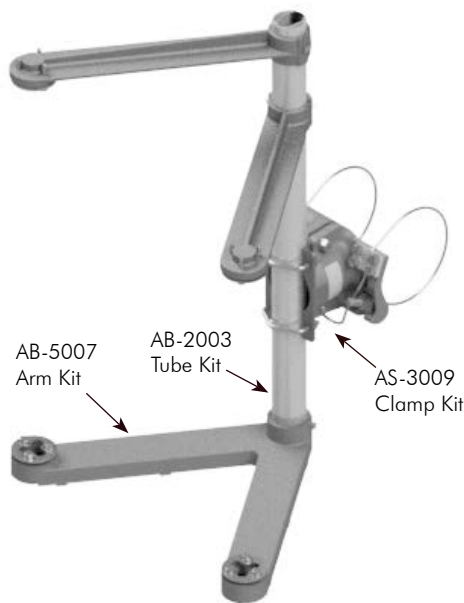


Astro-Brac Galaxy Assy, 2-Way Variable Cable Mount

| | | | | | | | | |
|---------|---|-------------------------------|---|----------------------|---|----------------------------|---|-----------------------------------|
| AG-0193 | - | Signal Section | - | Cable Length | - | Cable | - | Coating |
| | - | <input type="text"/> | - | <input type="text"/> | - | <input type="text"/> | - | <input type="text"/> |
| | | 3=3 Sec 4=4 Sec 5=5 Sec | | See Note | | Blank=Galv SS=Stainless | | PNC=Process No Color P__=Paint |



Note:
Cable Length: 62", 84", 96", 110", 120", 132", 144", 220", or 280".



Astro-Brac Stellar Assy, 2-Way Variable Cable Mount

| | | | | | | | | |
|---------|---|-------------------------------|---|----------------------|---|----------------------------|---|-----------------------------------|
| AS-0193 | - | Signal Section | - | Cable Length | - | Cable | - | Coating |
| | - | <input type="text"/> | - | <input type="text"/> | - | <input type="text"/> | - | <input type="text"/> |
| | | 3=3 Sec 4=4 Sec 5=5 Sec | | See Note | | Blank=Galv SS=Stainless | | PNC=Process No Color P__=Paint |



Note:
Cable Length: 62", 84", 96", 110", 120", 132", 144", 220", or 280".

- Note: 1. All assemblies are supplied standard with stainless steel slotted washers and fasteners.
2. See Reference Section for clamp kit pole diameters.
3. See Reference Section for available paint colors.

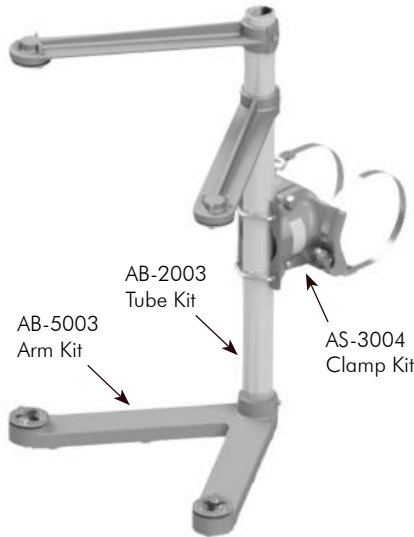


2-Way Variable Assemblies

Designed to accommodate all traffic signals, with the exception of optically programmed (see pages T1-18 through T1-21). The 2-Way Variable Stellar Astro-Brac features all-axis adjustability and is designed to facilitate the mounting of unbalanced signal combinations to any shape mast arm or pole.



Astro-Brac Stellar Assy, 2-Way Variable Band Mount

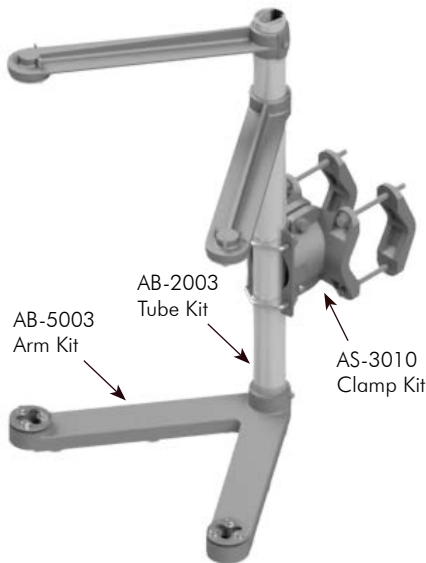


| | | | | | | | | |
|---------|---|---|---|-------------------------|---|---|---|--|
| AS-0111 | - | <input type="text"/> | - | <input type="text"/> | - | <input type="text"/> | - | <input type="text"/> |
| | | Signal Section 2=2 Sec 3=3 Sec 4=4 Sec | | Band Length See Note | | Clamp Screw Blank=Galv SS=Stainless | | Coating PNC=Process No Color P__=Paint |



Note:
Band Length: 29", 36", 42", 48", 56", 72", 84", 96", or 114".

Astro-Brac Stellar Assy, 2-Way Variable Tenon Mount



| | | | | |
|---------|---|---|---|--|
| AS-0642 | - | <input type="text"/> | - | <input type="text"/> |
| | | Signal Section 3=3 Sec 4=4 Sec 5=5 Sec | | Coating PNC=Process No Color P__=Paint |



Note:
Fits 1.9" to 4.5" diameter.

Note: 1. All assemblies are supplied standard with stainless steel slotted washers and fasteners.
2. See Reference Section for clamp kit pole diameters.
3. See Reference Section for available paint colors.



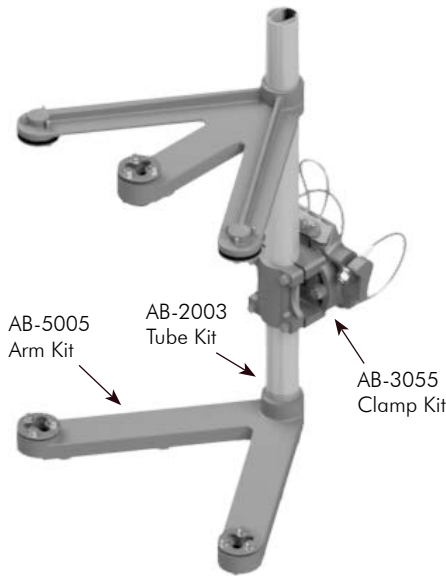
Cluster Assemblies

Designed to accommodate all traffic signals, with the exception of optically programmed (see pages T1-18 through T1-21). The Cluster Galaxy and Stellar Astro-Brac features all-axis adjustability and is designed to facilitate the mounting of 5-section signal heads to any shape mast arm or pole.



Astro-Brac

Astro-Brac Galaxy Assy, 5-Sec Cluster Cable Mount

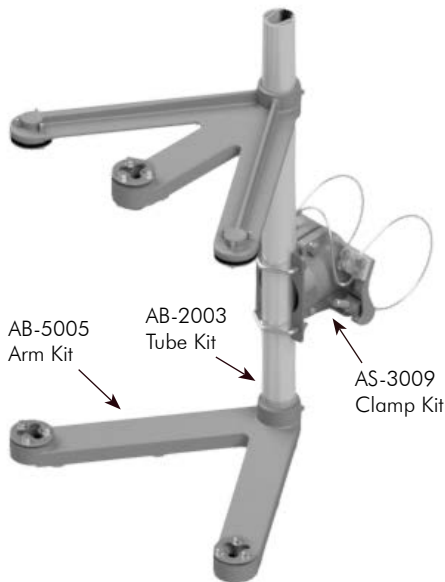


AG-0138 - - -
 See Note Blank=Galv PNC=Process No Color
 SS=Stainless P__=Paint

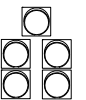


Note:
Cable Length: 62", 84", 96", 110", 120", 132", 144", 220", or 280".

Astro-Brac Stellar Assy, 5-Sec Cluster Cable Mount



AS-0138 - - -
 See Note Blank=Galv PNC=Process No Color
 SS=Stainless P__=Paint



Note:
Cable Length: 62", 84", 96", 110", 120", 132", 144", 220", or 280".

- Note: 1. All assemblies are supplied standard with stainless steel slotted washers and fasteners.
 2. See Reference Section for clamp kit pole diameters.
 3. See Reference Section for available paint colors.

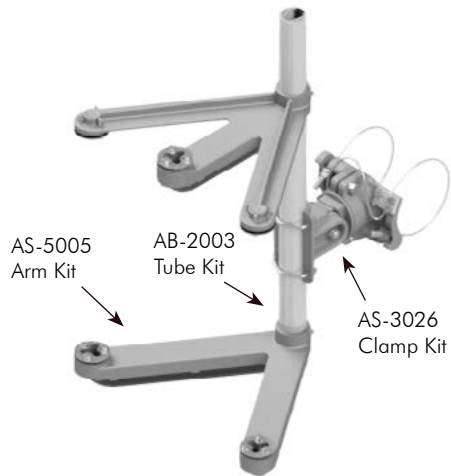


Cluster Assemblies

The Atlas articulating series of Astro-Brac can conceal one 3/4" diameter or two 5/8" diameter conduits. The cluster assemblies are designed to mount 5-section heads to any shape of mast arm or pole.



Astro-Brac

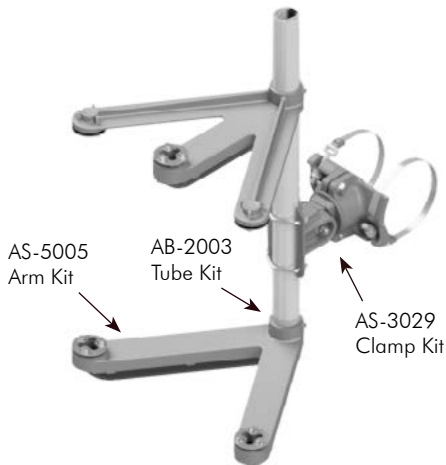


Astro-Brac Atlas Assy, 5-Sec Cluster Articulating Cable Mount

AS-0162 - - -
 See Note Blank=Galv PNC=Process No Color
 SS=Stainless P__=Paint



Note:
Cable Length: 62", 84", 96", 110", 120", 132", 144", 220", or 280".

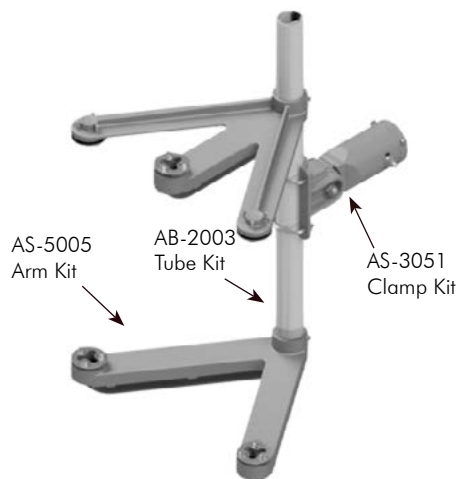


Astro-Brac Atlas Assy, 5-Sec Cluster Articulating Band Mount

AS-0675 - - -
 See Note Band Length Clamp Screw Coating
 Blank=Galv PNC=Process No Color
 SS=Stainless P__=Paint



Note:
Band Length: 29", 36", 42", 48", 56", 72", 84", 96", or 114".



Astro-Brac Atlas Assy, 5-Sec Cluster Articulating Tenon Mount

AS-0187 - -
 Cable Length Coating
 62=62" Cable PNC=Process No Color
 84=84" Cable P__=Paint
 96=96" Cable



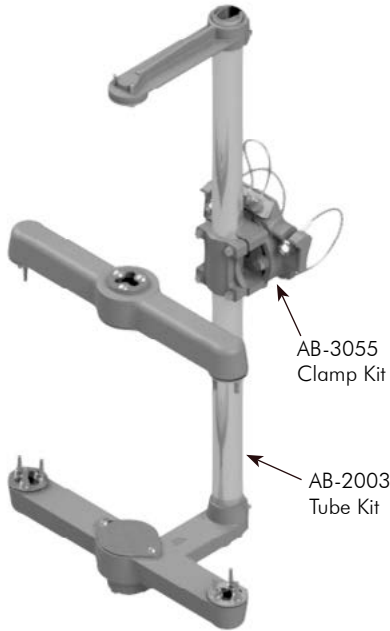
Note:
Fits 1.9" diameter.

- Note: 1. All assemblies are supplied standard with stainless steel slotted washers and fasteners.
 2. See Reference Section for clamp kit pole diameters.
 3. See Reference Section for available paint colors.



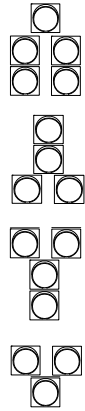
Cluster Assemblies

Designed to accommodate all traffic signals, with the exception of the optically programmed (see T1-18 through T1-21). The cluster assembly with cast uppers is designed to mount 3, 4 or 5-section clusters in various configurations to any size of mast arm or pole.

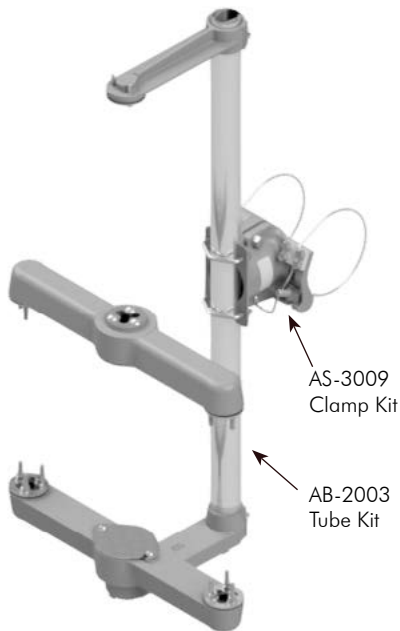


Astro-Brac Galaxy Assy, Cluster w/ 17" CTC Cast Uppers Cable Mount

AG-0168 - - -
 See Note Cable Coating
 Blank=Galv PNC=Process No Color
 SS=Stainless P__=Paint

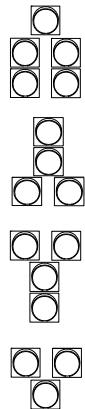


Note:
 Cable Length: 62", 84", 96", 110", 120", 132", 144", 220", or 280".



Astro-Brac Stellar Assy, Cluster w/ 17" CTC Cast Uppers Cable Mount

AS-0168 - - -
 See Note Cable Coating
 Blank=Galv PNC=Process No Color
 SS=Stainless P__=Paint



Note:
 Cable Length: 62", 84", 96", 110", 120", 132", 144", 220", or 280".

Note: 1. All assemblies are supplied standard with stainless steel slotted washers and fasteners.
 2. See Reference Section for clamp kit pole diameters.
 3. See Reference Section for available paint colors.



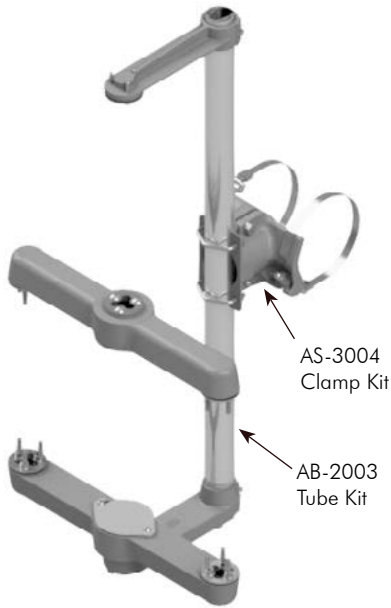
Cluster Assemblies

Designed to accommodate all traffic signals, with the exception of the optically programmed (see T1-18 through T1-21). The cluster assembly with cast uppers is designed to mount 3, 4 or 5-section clusters in various configurations to any size of mast arm or pole.



Astro-Brac

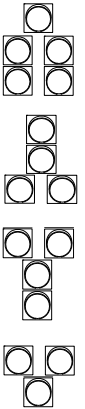
pelco
PELCO PRODUCTS, INC.



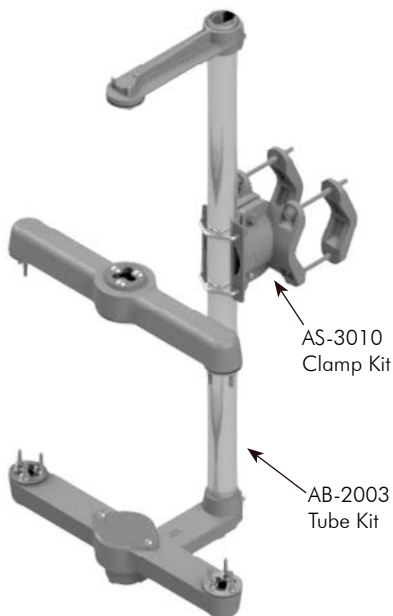
Astro-Brac Stellar Assy, Cluster w/ 17" CTC Cast Uppers Band Mount

AS-0167 - - -

Band Length: See Note
Clamp Screw: Blank=Galv, SS=Stainless
Coating: PNC=Process No Color, P__=Paint



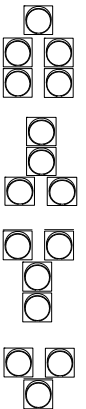
Note:
Band Length: 29", 36", 42", 48", 56", 72", 84", 96", or 114".
Stainless steel upgrade available: includes stainless clamp screw



Astro-Brac Stellar Assy, Cluster w/ 17" CTC Cast Uppers Tenon Mount

AS-0679 -

Coating: PNC=Process No Color, P__=Paint



Note:
Fits 1.9" to 4.5" diameter.

- Note: 1. All assemblies are supplied standard with stainless steel slotted washers and fasteners.
2. See Reference Section for clamp kit pole diameters.
3. See Reference Section for available paint colors.

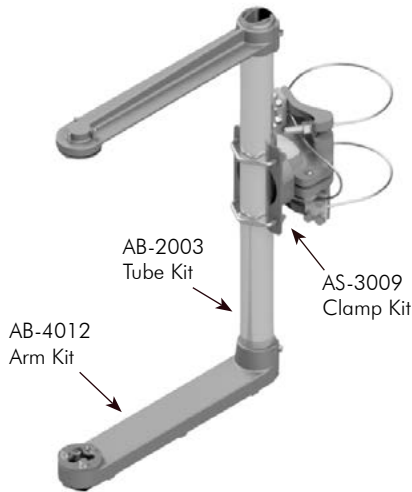


1-Way Pedestrian Assemblies

With the extended arms this bracket assembly is designed to accommodate the pedestrian signal. The Stellar Astro-Brac features all-axis adjustability and is designed to facilitate the mounting of a ped signal to any shape pole.



Astro-Brac Stellar Assy, 1-Way for ICC Ped Head Cable Mount



AS-0157 - - -

Cable Length Cable Coating

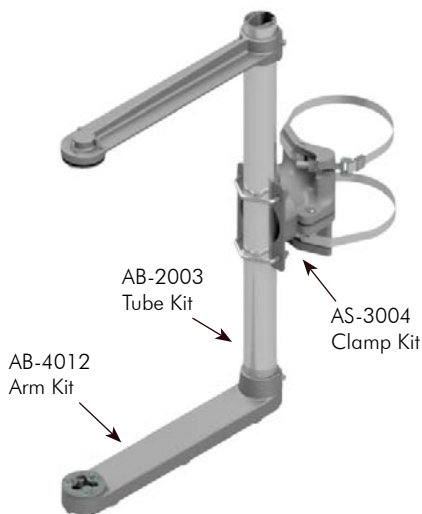
See Note Blank=Galv PNC=Process No Color

 SS=Stainless P__=Paint



Note:
Cable Length: 62", 84", 96", 110", 120", 132", 144", 220", or 280".

Astro-Brac Stellar Assy, 1-Way for ICC Ped Head Band Mount



AS-0133 - - -

Band Length Clamp Screw Coating

See Note Blank=Galv PNC=Process No Color

 SS=Stainless P__=Paint



Note:
Band Length: 29", 36", 42", 48", 56", 72", 84", 96", or 114".

- Note: 1. All assemblies are supplied standard with stainless steel slotted washers and fasteners.
2. See Reference Section for clamp kit pole diameters.
3. See Reference Section for available paint colors.



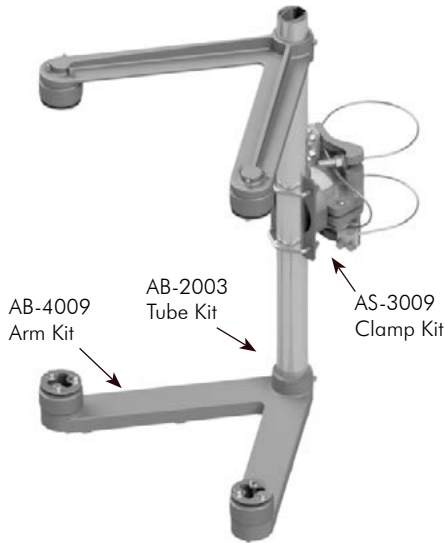
2-Way Pedestrian Assemblies

With the extended arms this bracket assembly is designed to accommodate the pedestrian signal. The Stellar Astro-Brac features all-axis adjustability and is designed to facilitate the mounting of two ped signals to any shape pole.



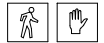
Astro-Brac

Astro-Brac Stellar Assy, 2-Way for ICC Ped Heads Cable Mount



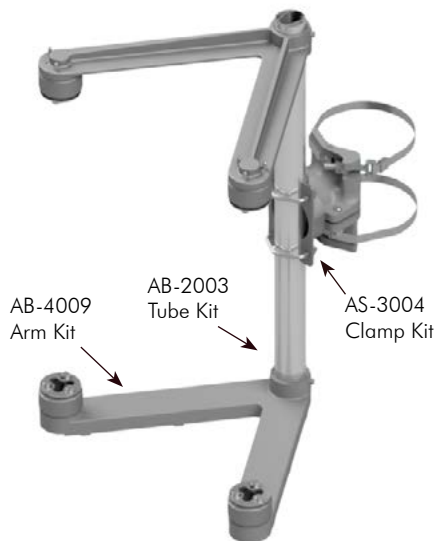
AS-0158 - - -

Cable Length Cable Coating
 See Note Blank=Galv PNC=Process No Color
 SS=Stainless P__=Paint



Note:
 Cable Length: 62", 84", 96", 110", 120", 132", 144", 220", or 280".

Astro-Brac Stellar Assy, 2-Way for ICC Ped Heads Band Mount



AS-0131 - - -

Band Length Clamp Screw Coating
 See Note Blank=Galv PNC=Process No Color
 SS=Stainless P__=Paint



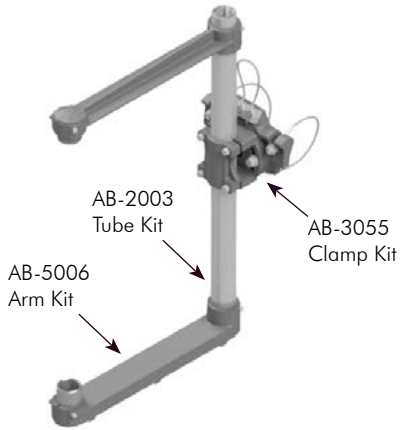
Note:
 Band Length: 29", 36", 42", 48", 56", 72", 84", 96", or 114".

- Note: 1. All assemblies are supplied standard with stainless steel slotted washers and fasteners.
 2. See Reference Section for clamp kit pole diameters.
 3. See Reference Section for available paint colors.



1-Way OPS Assemblies

Designed to accommodate optically programmed signal heads. The Astro-Brac features all-axis adjustability and is designed to facilitate the mounting of any size OPS signal to any shape of mast arm or pole.

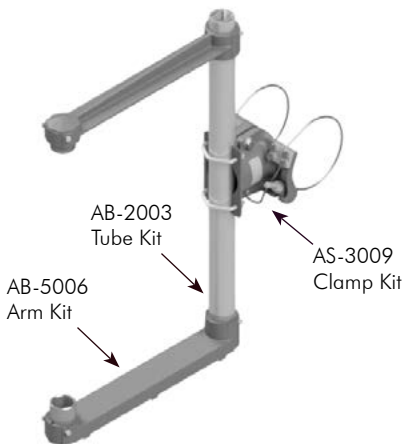


Astro-Brac Galaxy Assy, 1-Way for OPS Signals Cable Mount, 1-1/2" NPS

| | | | | | | | | |
|---------|---|----------------------|---|----------------------|---|----------------------|---|----------------------|
| AG-0151 | - | <input type="text"/> | - | <input type="text"/> | - | <input type="text"/> | - | <input type="text"/> |
| | | Signal Section | | Cable Length | | Cable | | Coating |
| | | 3=3 Sec | | See Note | | Blank=Galv | | PNC=Process No Color |
| | | 4=4 Sec | | | | SS=Stainless | | P__=Paint |
| | | 5=5 Sec | | | | | | |



Note:
Cable Length: 62", 84", 96", 110", 120", 132", 144", 220", or 280".

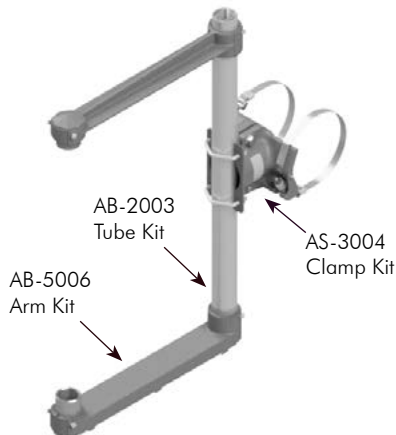


Astro-Brac Stellar Assy, 1-Way for OPS Signals Cable Mount, 1-1/2" NPS

| | | | | | | | | |
|---------|---|----------------------|---|----------------------|---|----------------------|---|----------------------|
| AS-0151 | - | <input type="text"/> | - | <input type="text"/> | - | <input type="text"/> | - | <input type="text"/> |
| | | Signal Section | | Cable Length | | Cable | | Coating |
| | | 3=3 Sec | | See Note | | Blank=Galv | | PNC=Process No Color |
| | | 4=4 Sec | | | | SS=Stainless | | P__=Paint |
| | | 5=5 Sec | | | | | | |



Note:
Cable Length: 62", 84", 96", 110", 120", 132", 144", 220", or 280".



Astro-Brac Stellar Assy, 1-Way for OPS Signals Band Mount, 1-1/2" NPS

| | | | | | | | | |
|---------|---|----------------------|---|----------------------|---|----------------------|---|----------------------|
| AS-0152 | - | <input type="text"/> | - | <input type="text"/> | - | <input type="text"/> | - | <input type="text"/> |
| | | Signal Section | | Band Length | | Clamp Screw | | Coating |
| | | 3=3 Sec | | See Note | | Blank=Galv | | PNC=Process No Color |
| | | 4=4 Sec | | | | SS=Stainless | | P__=Paint |
| | | 5=5 Sec | | | | | | |



Note:
Band Length: 29", 36", 42", 48", 56", 72", 84", 96", or 114".

- Note: 1. All assemblies are supplied standard with stainless steel slotted washer and fasteners.
2. See Reference Section for clamp kit pole diameters.
3. See Reference Section for available paint colors.

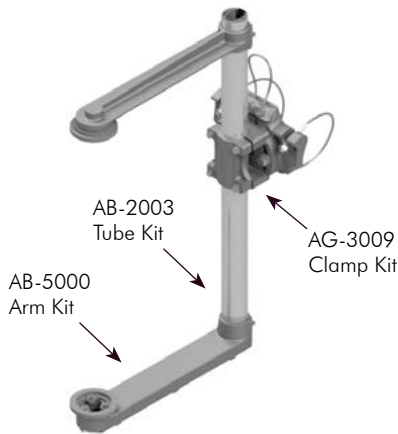


1-Way OPS Assemblies

Designed to accommodate optically programmed signal heads. The Astro-Brac features all-axis adjustability and is designed to facilitate the mounting of any size OPS signal to any shape of mast arm or pole.



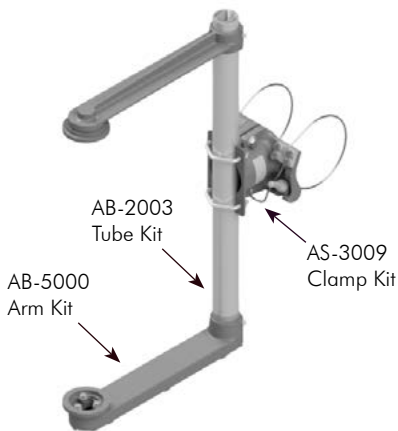
Astro-Brac



Astro-Brac Galaxy Assy, 1-Way for OPS Signals Cable Mount, Tri-Bolt

| | | | | | | | | |
|---------|---|----------------|---|--------------|---|--------------|---|----------------------|
| AG-0633 | - | Signal Section | - | Cable Length | - | Cable | - | Coating |
| | | 3=3 Sec | | See Note | | Blank=Galv | | PNC=Process No Color |
| | | 4=4 Sec | | | | SS=Stainless | | P__=Paint |
| | | 5=5 Sec | | | | | | |

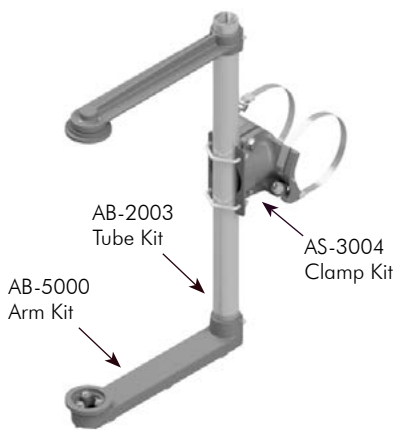
Note:
Cable Length: 62", 84", 96", 110", 120", 132", 144", 220", or 280".



Astro-Brac Stellar Assy, 1-Way for OPS Signals Cable Mount, Tri-Bolt

| | | | | | | | | |
|---------|---|----------------|---|--------------|---|--------------|---|----------------------|
| AS-0633 | - | Signal Section | - | Cable Length | - | Cable | - | Coating |
| | | 3=3 Sec | | See Note | | Blank=Galv | | PNC=Process No Color |
| | | 4=4 Sec | | | | SS=Stainless | | P__=Paint |
| | | 5=5 Sec | | | | | | |

Note:
Cable Length: 62", 84", 96", 110", 120", 132", 144", 220", or 280".



Astro-Brac Stellar Assy, 1-Way for OPS Signals Band Mount, Tri-Bolt

| | | | | | | | | |
|---------|---|----------------|---|-------------|---|--------------|---|----------------------|
| AS-0103 | - | Signal Section | - | Band Length | - | Clamp Screw | - | Coating |
| | | 3=3 Sec | | See Note | | Blank=Galv | | PNC=Process No Color |
| | | 4=4 Sec | | | | SS=Stainless | | P__=Paint |
| | | 5=5 Sec | | | | | | |

Note:
Band Length: 29", 36", 42", 48", 56", 72", 84", 96", or 114".



- Note: 1. All assemblies are supplied standard with stainless steel slotted washer and fasteners.
2. See Reference Section for clamp kit pole diameters.
3. See Reference Section for available paint colors.

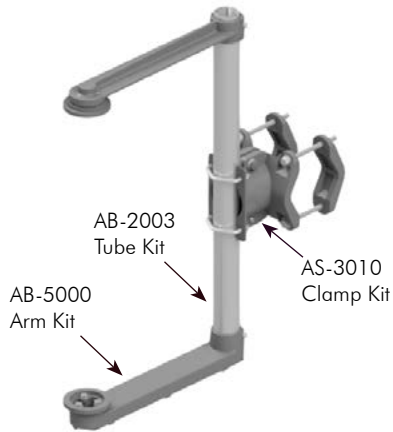


1-Way OPS Assemblies

Designed to accommodate optically programmed signal heads. The Astro-Brac features all-axis adjustability and is designed to facilitate the mounting of any size OPS signal to any shape of mast arm or pole.



Astro-Brac Stellar Assy, 1-Way for OPS Signals Tenon Mount, Tri-Bolt



| | Signal Section | | Coating | |
|---------|----------------|----------------------|----------------------|----------------------|
| AS-0143 | - | <input type="text"/> | - | <input type="text"/> |
| | | 3=3 Sec | PNC=Process No Color | |
| | | 4=4 Sec | P__=Paint | |
| | | 5=5 Sec | | |



Note:
Fits 1.9" to 4.5" diameter.

Astro-Brac



 PELCO PRODUCTS, INC.

- Note: 1. All assemblies are supplied standard with stainless steel washers and fasteners.
 2. See Reference Section for clamp kit pole diameters.
 3. See Reference Section for available paint colors.

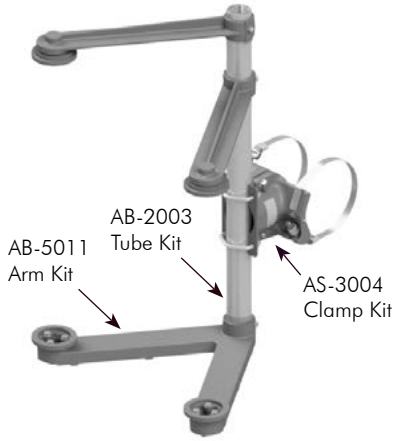


Variable OPS Assemblies

Designed to accommodate optically programmed signal heads. The 2-Way Variable OPS bracket features all-axis adjustability and is designed to facilitate the mounting of unbalanced signal combinations to any shape mast arm or pole.



Astro-Brac



Astro-Brac Stellar Assy, 2-Way Variable for OPS Signals Band Mount

| | Signal Section | Band Length | Clamp Screw | Coating |
|---------|--|------------------------|----------------------------|-----------------------------------|
| AS-0192 | - <input type="text"/> | - <input type="text"/> | - <input type="text"/> | - <input type="text"/> |
| | 2=2 Sec 3=3 Sec 4=4 Sec 5=5 Sec | See Note | Blank=Galv SS=Stainless | PNC=Process No Color P__=Paint |



Note:
Band Length: 29", 36", 42", 48", 56", 72", 84", 96", or 114".

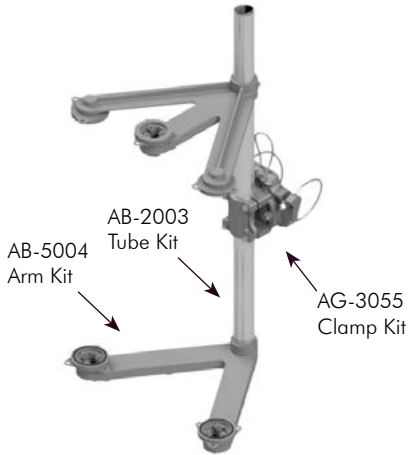
pelco
PELCO PRODUCTS, INC.

- Note: 1. All assemblies are supplied standard with stainless steel slotted washer and fasteners.
2. See Reference Section for clamp kit pole diameters.
3. See Reference Section for available paint colors.



Cluster OPS Assemblies

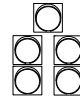
Designed to accommodate optically programmed signal heads. The Cluster OPS bracket features all-axis adjustability and is designed to facilitate the mounting of any size OPS signal to any shape of mast arm or pole.



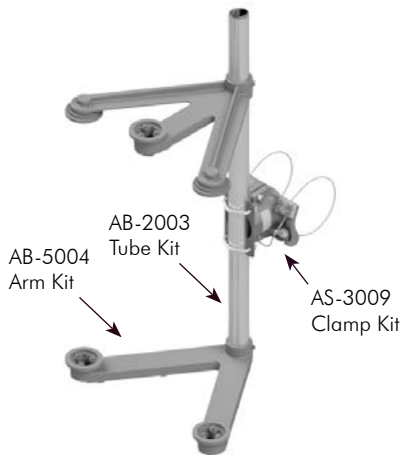
Astro-Brac Galaxy Assy, 5-Sec Cluster for OPS Signals Cable Mount, Tri-Bolt

AG-0199 - - -

Cable Length: See Note
 Cable: Blank=Galv, SS=Stainless
 Coating: PNC=Process No Color, P__=Paint



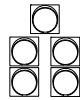
Note:
 Cable Length: 62", 84", 96", 110", 120", 132", 144", 220", or 280".



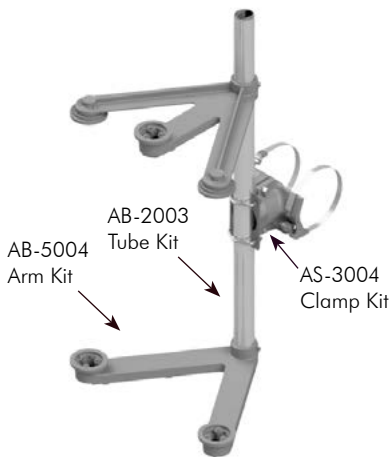
Astro-Brac Stellar Assy, 5-Sec Cluster for OPS Signals Cable Mount

AS-0199 - - -

Cable Length: See Note
 Cable: Blank=Galv, SS=Stainless
 Coating: PNC=Process No Color, P__=Paint



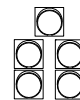
Note:
 Cable Length: 62", 84", 96", 110", 120", 132", 144", 220", or 280".



Astro-Brac Stellar Assy, 5-Sec Cluster for OPS Signals Band Mount

AS-0191 - - -

Band Length: See Note
 Clamp Screw: Blank=Galv, SS=Stainless
 Coating: PNC=Process No Color, P__=Paint



Note:
 Band Length: 29", 36", 42", 48", 56", 72", 84", 96", or 114".

Note: 1. All assemblies are supplied standard with stainless steel slotted washer and fasteners.
 2. See Reference Section for clamp kit pole diameters.
 3. See Reference Section for available paint colors.



Astro-Brac

pelco
 PELCO PRODUCTS, INC.

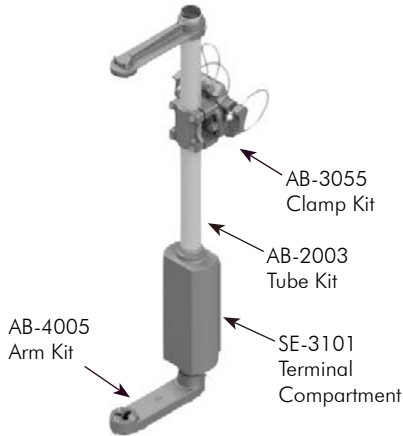
Terminal Compartment Assemblies

Pelco's in-line Astro-Brac terminal compartment assemblies satisfy the need of a terminal compartment without sacrificing all-axis adjustability. Available in cable or band mount.



Astro-Brac

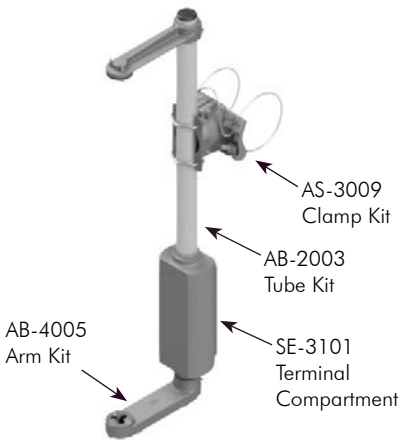
Pelco
PELCO PRODUCTS, INC.



Astro-Brac Galaxy Assy, 1-Way Terminal Compartment Cable Mount

| | | | | | | | | |
|---------|---|----------------------|---|----------------------|---|----------------------|---|----------------------|
| AG-0620 | - | <input type="text"/> | - | <input type="text"/> | - | <input type="text"/> | - | <input type="text"/> |
| | | Signal Section | | Cable Length | | Cable | | Coating |
| | | 3=3 Sec | | See Note | | Blank=Galv | | PNC=Process No Color |
| | | 4=4 Sec | | | | SS=Stainless | | P_=_Paint |
| | | 5=5 Sec | | | | | | |

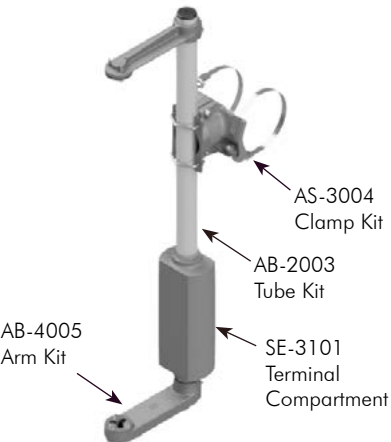
Note:
Cable Length: 62", 84", 96", 110", 120", 132", 144", 220", or 280".



Astro-Brac Stellar Assy, 1-Way Terminal Compartment Cable Mount

| | | | | | | | | |
|---------|---|----------------------|---|----------------------|---|----------------------|---|----------------------|
| AS-0620 | - | <input type="text"/> | - | <input type="text"/> | - | <input type="text"/> | - | <input type="text"/> |
| | | Signal Section | | Cable Length | | Cable | | Coating |
| | | 3=3 Sec | | See Note | | Blank=Galv | | PNC=Process No Color |
| | | 4=4 Sec | | | | SS=Stainless | | P_=_Paint |
| | | 5=5 Sec | | | | | | |

Note:
Cable Length: 62", 84", 96", 110", 120", 132", 144", 220", or 280".



Astro-Brac Stellar Assy, 1-Way Terminal Compartment Band Mount

| | | | | | | | | |
|---------|---|----------------------|---|----------------------|---|----------------------|---|----------------------|
| AS-0112 | - | <input type="text"/> | - | <input type="text"/> | - | <input type="text"/> | - | <input type="text"/> |
| | | Signal Section | | Band Length | | Clamp Screw | | Coating |
| | | 3=3 Sec | | See Note | | Blank=Galv | | PNC=Process No Color |
| | | 4=4 Sec | | | | SS=Stainless | | P_=_Paint |
| | | 5=5 Sec | | | | | | |

Note:
Band Length: 29", 36", 42", 48", 56", 72", 84", 96", or 114".

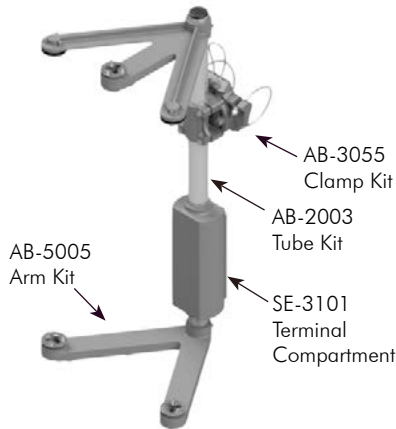


- Note: 1. All assemblies are supplied standard with stainless steel slotted washer and fasteners.
2. See Reference Section for clamp kit pole diameters.
3. See Reference Section for available paint colors.



Terminal Compartment Assemblies

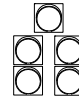
Pelco's in-line Astro-Brac terminal compartment assemblies satisfy the need of a terminal compartment without sacrificing all-axis adjustability. Available in cable or band mount.



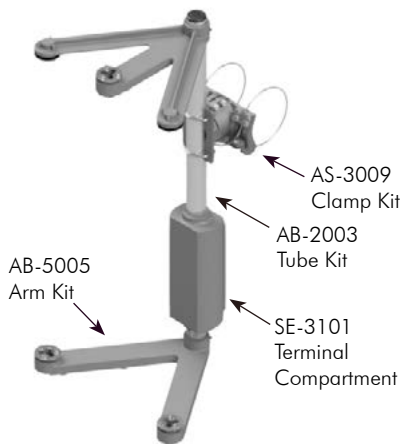
Astro-Brac Galaxy Assy, 5-Sec Cluster Terminal Compartment Cable Mount

AG-0621 - - -

Cable Length: See Note
Cable: Blank=Galv, SS=Stainless
Coating: PNC=Process No Color, P_=_Paint



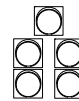
Note:
Cable Length: 62", 84", 96", 110", 120", 132", 144", 220", or 280".



Astro-Brac Stellar Assy, 5-Sec Cluster Terminal Compartment Cable Mount

AS-0621 - - -

Cable Length: See Note
Cable: Blank=Galv, SS=Stainless
Coating: PNC=Process No Color, P_=_Paint



Note:
Cable Length: 62", 84", 96", 110", 120", 132", 144", 220", or 280".

- Note: 1. All assemblies are supplied standard with stainless steel slotted washer and fasteners.
2. See Reference Section for clamp kit pole diameters.
3. See Reference Section for available paint colors.

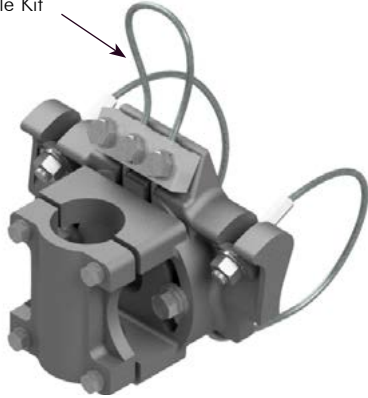


Galaxy Series Clamp Kits

The Galaxy is designed using a single cable plate which allows for easy installation, as well as the multi-directional adjustable tube saddle for strength. These high tensile aluminum alloy clamp kits provide strength with maximum adjustability and complete clamping versatility. Comes complete with all necessary attaching hardware.



AB-0280/AB-0320
Cable Kit



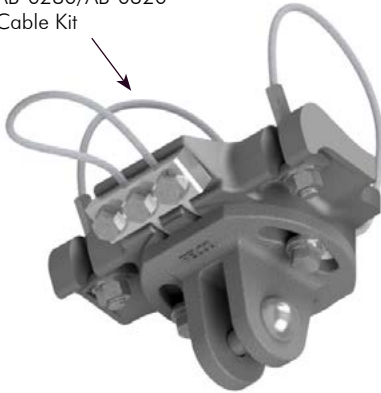
Astro-Brac, Galaxy Series Clamp Kit, Cable Mount

AB-3055 - - -

| | | |
|--------------|----------------------------|-----------------------------------|
| Cable Length | Cable | Coating |
| See Note | Blank=Galv SS=Stainless | PNC=Process No Color P__=Paint |

Note:
Cable Length: 62", 84", 96", 110", 120", 132", 144", 220", or 280".

AB-0280/AB-0320
Cable Kit



Astro-Brac, Galaxy Series Clamp Kit, Cable Mount, 3/4" Clevis, Free-Swinging

AG-3014 - - - -

| | | | |
|--------------|----------------------------|-------------------------|-----------------------------------|
| Cable Length | Stainless Upgrade | Bushing | Coating |
| See Note | Blank=Galv SS=Stainless | SB=Stainless Bushing | PNC=Process No Color P__=Paint |

Note:
Cable Length: 62", 84", 96", 110", 120", 132", 144", 220", or 280".
Stainless upgrade to include stainless cable and pins.

- Note: 1. All assemblies are supplied standard with stainless steel fasteners.
2. See Reference Section for clamp kit pole diameters.
3. See Reference Section for available paint colors.

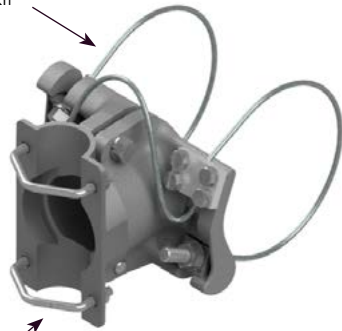


Stellar Series Clamp Kits

These high tensile aluminum alloy clamp kits provide strength with maximum adjustability and complete clamping versatility. The 2-piece clamp features a strong clamping method with quick and easy installation. Supplied with all necessary attaching hardware.



AB-0280/AB-0320
Cable Kit



AB-0256
V-Bolt Kit

Astro-Brac, Stellar Series Clamp Kit, Cable Mount

AS-3009 - - -

| | | |
|--------------|----------------------------|-----------------------------------|
| Cable Length | Cable | Coating |
| See Note | Blank=Galv SS=Stainless | PNC=Process No Color P__=Paint |

Note:
Cable Length: 62", 84", 96", 110", 120", 132", 144", 220", or 280".

AB-0204
Clamp Screw Kit

AB-0243
Band Kit



AB-0256
V-Bolt Kit

Astro-Brac, Stellar Series Clamp Kit, Band Mount

AS-3004 - - -

| | | |
|--------------|----------------------------|-----------------------------------|
| Cable Length | Clamp Screw | Coating |
| See Note | Blank=Galv SS=Stainless | PNC=Process No Color P__=Paint |

Note:
Band Length: 29", 36", 42", 48", 56", 72", 84", 96", or 114".



AB-0256
V-Bolt Kit

Astro-Brac, Stellar Series Clamp Kit, Tenon Mount

AS-3010 -

| |
|-----------------------------------|
| Coating |
| PNC=Process No Color P__=Paint |

Note:
Fits 1.9" to 4.5" diameter.

Note: 1. All assemblies are supplied standard with stainless steel fasteners.
2. See Reference Section for clamp kit pole diameters.
3. See Reference Section for available paint colors.

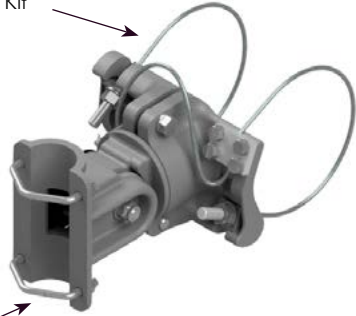


Atlas Series Clamp Kits

These aluminum serrated articulating clamp kits were specifically designed to accommodate larger conduit. The 3 axis adjustability provides complete clamping versatility. They feature stainless steel bands or high strength galvanized or stainless steel aircraft cable. Supplied complete with all necessary attaching hardware.



AB-0280/AB-0320
Cable Kit



AB-0256
V-Bolt Kit

Astro-Brac, Atlas Series Clamp Kit, Articulated Serrated Cable Mount

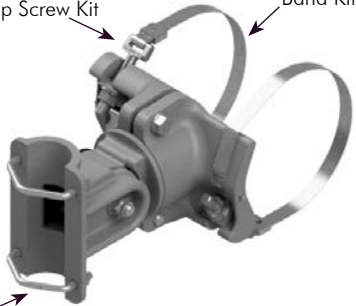
AS-3026 - - -

Cable Length Cable Coating

See Note Blank=Galv PNC=Process No Color
SS=Stainless P__=Paint

Note:
Cable Length: 62", 84", 96", 110", 120", 132", 144", 220", or 280".

AB-0204
Clamp Screw Kit



AB-0243
Band Kit

AB-0256
V-Bolt Kit

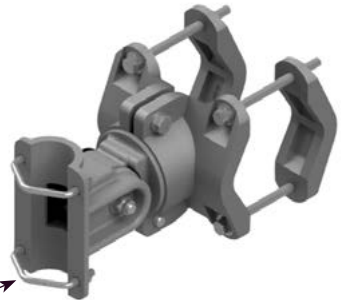
Astro-Brac, Atlas Series Clamp Kit, Articulated Serrated Band Mount

AS-3029 - - -

Cable Length Clamp Screw Coating

See Note Blank=Galv PNC=Process No Color
SS=Stainless P__=Paint

Note:
Band Length: 29", 36", 42", 48", 56", 72", 84", 96", or 114".



AB-0256
V-Bolt Kit

Astro-Brac, Atlas Series Clamp Kit, Articulated Serrated Tenon Mount

AS-3030 -

Coating

PNC=Process No Color
P__=Paint

Note:
Fits 1.9" to 4.5" diameter.



AB-0256
V-Bolt Kit

Astro-Brac, Atlas Series Clamp Kit, Articulated Serrated Tenon Mount

AB-3051 -

Coating

PNC=Process No Color
P__=Paint

Note:
Fits 1.9" to 4.5" diameter.

- Note: 1. All assemblies are supplied standard with stainless steel fasteners.
2. See Reference Section for clamp kit pole diameters.
3. See Reference Section for available paint colors.

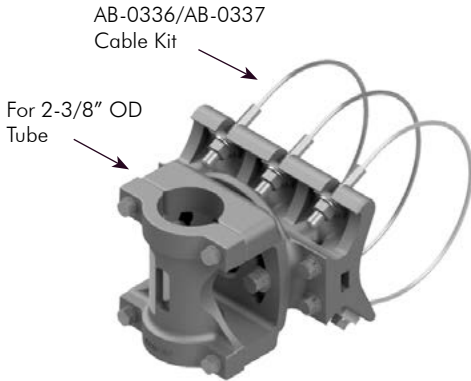


Triton Series Clamp Kits

These high tensile aluminum alloy clamp kits provide strength with maximum adjustability and complete clamping versatility. The Triton clamp kits utilize three bands or cables and are designed to be used with a 2-3/8" diameter tube. Comes complete with all necessary attaching hardware.



Astro-Brac, Triton Series Clamp Kit for 2" Tube Cable Mount



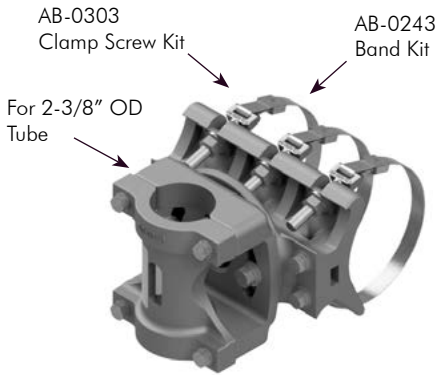
AB-3040 - - -

Cable Length Cable Coating

See Note Blank=Galv PNC=Process No Color
 SS=Stainless P__=Paint

Note:
 Cable Length: 45", 62", or 84".

Astro-Brac, Triton Series Clamp Kit for 2" Tube Band Mount



AB-3039 - - -

Cable Length Clamp Screw Coating

See Note Blank=Galv PNC=Process No Color
 SS=Stainless P__=Paint

Note:
 Band Length: 29", 36", 42", 48", 56", 72", or 84".

Note: 1. All assemblies are supplied standard with stainless steel fasteners.
 2. See Reference Section for clamp kit pole diameters.
 3. See Reference Section for available paint colors.



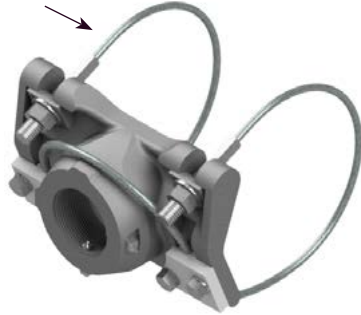
Cable Mount Clamp Kits

These high tensile aluminum alloy clamp kits provide strength with maximum adjustability and complete clamping versatility. They feature high strength galvanized or stainless steel aircraft cable. Supplied complete with all necessary attaching hardware.



Astro-Brac

AB-0280/AB-0320
Cable Kit



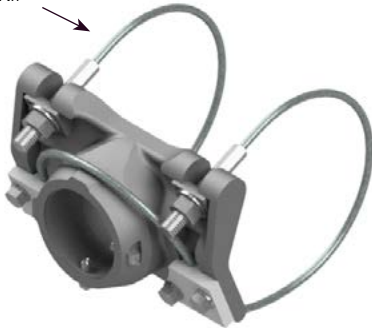
Astro-Brac Clamp Kit, 1-1/2" NPS Cable Mount

AB-3034 - - -

See Note Blank=Galv PNC=Process No Color
 SS=Stainless P__=Paint

Note:
Cable Length: 62", 84", 96", 110", 120", 132", 144", 220", or 280".

AB-0280/AB-0320
Cable Kit



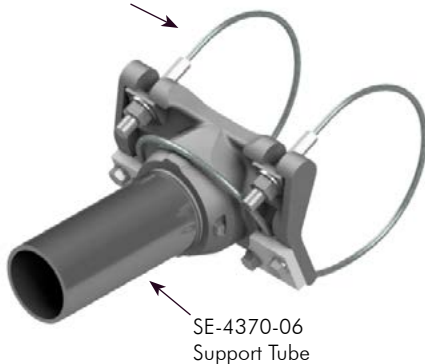
Astro-Brac Clamp Kit, 2" NPS Cable Mount

AB-3035 - - -

See Note Blank=Galv PNC=Process No Color
 SS=Stainless P__=Paint

Note:
Cable Length: 62", 84", 96", 110", 120", 132", 144", or 220".

AB-0280/AB-0320
Cable Kit



SE-4370-06
Support Tube

Astro-Brac Clamp Kit, 2" NPS x 6" Plumbizer Tube Cable Mount

AB-3053 - - -

See Note Blank=Galv PNC=Process No Color
 SS=Stainless P__=Paint

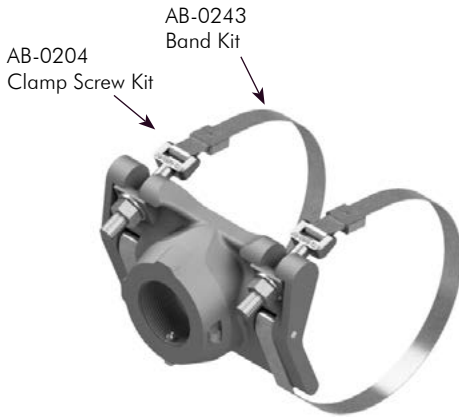
Note:
Cable Length: 62", 84", 96", 110", 120", 132", 144", or 220".

Note: 1. All assemblies are supplied standard with stainless steel fasteners.
2. See Reference Section for clamp kit pole diameters.
3. See Reference Section for available paint colors.



Band Mount Clamp Kits

These high tensile aluminum alloy clamp kits provide strength with maximum adjustability and complete clamping versatility. They feature forged galvanized clamp screws which allow easy signal mounting on any size signal pole. Supplied complete with all necessary attaching hardware.

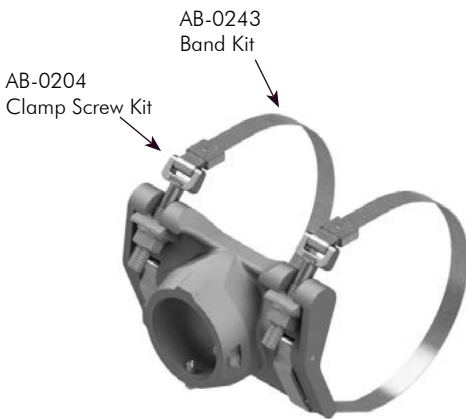


Astro-Brac Clamp Kit, 1-1/2" NPS Band Mount

AB-3006 - - -

See Note Blank=Galv PNC=Process No Color
 SS=Stainless P__=Paint

Note:
 Band Length: 29", 36", 42", 48", 56", 72", or 84".

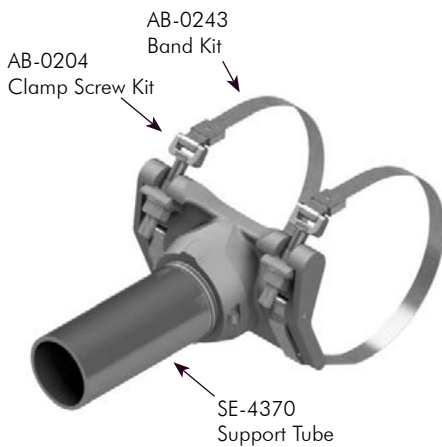


Astro-Brac Clamp Kit, 2" NPS Band Mount

AB-3007 - - -

See Note Blank=Galv PNC=Process No Color
 SS=Stainless P__=Paint

Note:
 Band Length: 29", 36", 42", 48", 56", 72", or 84".



Astro-Brac Clamp Kit, w/ 2" NPS Plumbizer Tube Band Mount

AB-3008 - - -

See Note Blank=Galv PNC=Process No Color
 SS=Stainless P__=Paint

Note:
 Band Length: 29", 36", 42", 48", 56", 72", or 84".

- Note: 1. All assemblies are supplied standard with stainless steel fasteners.
 2. See Reference Section for clamp kit pole diameters.
 3. See Reference Section for available paint colors.



Mini-Brac Clamp Kits

This unique mount is a smaller version of the Astro-Brac and gives the same kind of universal application. Ideal for side-of-pole or mast arm mountings for vehicle or pedestrian signals and emergency traffic signal sensors.



AB-0336/AB-0337
Cable Kit

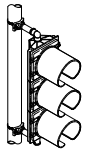


Astro Mini-Brac Clamp Kit, 1-1/2" NPS Cable Mount

| | | | | | | |
|---------|---|----------------------|---|----------------------------|---|-----------------------------------|
| AB-0160 | - | <input type="text"/> | - | <input type="text"/> | - | <input type="text"/> |
| | | See Note | | Blank=Galv SS=Stainless | | PNC=Process No Color P_=_Paint |

Note:
Cable Length: 45", 62", or 84".

Side-of-Pole Mounting
Vehicular or Pedestrian Signals



AB-0303
Clamp Screw Kit

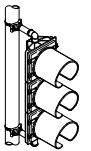


Astro Mini-Brac Clamp Kit, 1-1/2" NPS Band Mount,

| | | | | | | |
|---------|---|----------------------|---|----------------------------|---|-----------------------------------|
| AB-0121 | - | <input type="text"/> | - | <input type="text"/> | - | <input type="text"/> |
| | | See Note | | Blank=Galv SS=Stainless | | PNC=Process No Color P_=_Paint |

Note:
Band Length: 29", 36", 42", 48", 56", 72", or 84".

Side-of-Pole Mounting
Vehicular or Pedestrian Signals



AB-0336/AB-0337
Cable Kit

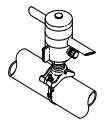


Astro Mini-Brac Clamp Kit, 3/4"-14 NPT Cable Mount

| | | | | | | |
|---------|---|----------------------|---|----------------------------|---|-----------------------------------|
| AB-0163 | - | <input type="text"/> | - | <input type="text"/> | - | <input type="text"/> |
| | | See Note | | Blank=Galv SS=Stainless | | PNC=Process No Color P_=_Paint |

Note:
Cable Length: 45", 62", or 84".

Mast Arm Mounting
Emergency Traffic Signal Sensor



AB-0303
Clamp Screw Kit

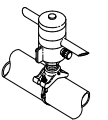


Astro Mini-Brac Clamp Kit, 3/4"-14 NPT Band Mount

| | | | | | | |
|---------|---|----------------------|---|----------------------------|---|-----------------------------------|
| AB-0155 | - | <input type="text"/> | - | <input type="text"/> | - | <input type="text"/> |
| | | See Note | | Blank=Galv SS=Stainless | | PNC=Process No Color P_=_Paint |

Note:
Band Length: 29", 36", 42", 48", 56", 72", or 84".

Mast Arm Mounting
Emergency Traffic Signal Sensor



- Note: 1. All assemblies are supplied standard with stainless steel fasteners.
2. See Reference Section for clamp kit pole diameters.
3. See Reference Section for available paint colors.



This page is intentionally left blank.

Astro-Brac



1-Way Astro-Brac Arm Kits

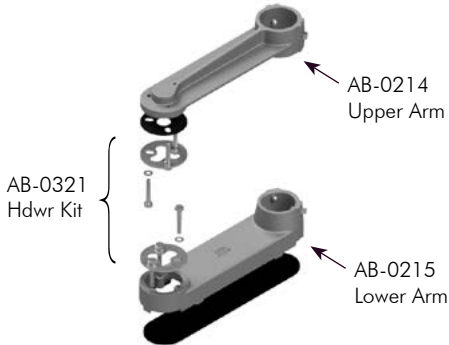
All Pelco arm kits are durable aluminum alloy castings. Various styles are available to fit any manufacturer's signal. They allow positive positioning of the signal head without misalignment. Supplied complete with stainless steel hardware and wire covers.



Astro-Brac

Pelco
PELCO PRODUCTS, INC.

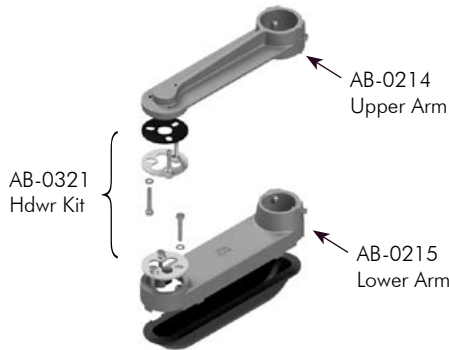
1-Way Kit, 8-1/2" CTC, Alum



AB-4005 - Coating
PNC=Process No Color
P__=Paint



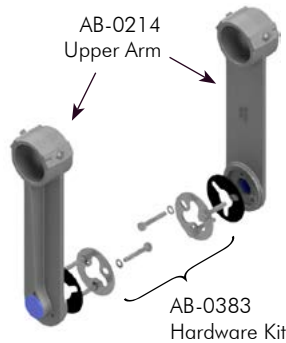
1-Way Arm Kit, 8-1/2" CTC, Alum Large Capacity,



AS-4005 - Coating
PNC=Process No Color
P__=Paint



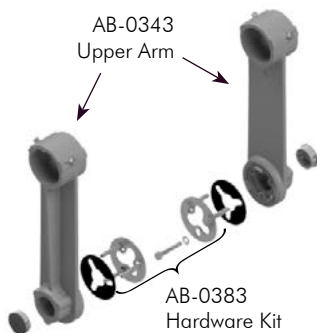
1-Way Arm Kit, 8-1/2" CTC, Alum Tapped for 3/4" CGB



AB-4013 - Coating
PNC=Process No Color
P__=Paint



1-Way Arm Kit, 8-1/2" CTC, Alum Tapped for 1" CGB



AB-4010 - Coating
PNC=Process No Color
P__=Paint



Note: 1. All assemblies are supplied standard with stainless steel washer and fasteners.
2. See Reference Section for available paint colors.

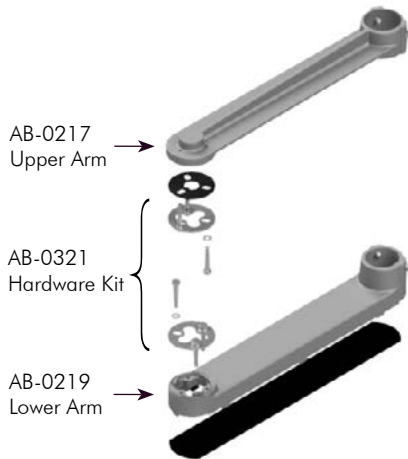


1-Way Astro-Brac Arm Kits

All Pelco arm kits are durable aluminum alloy castings. Various styles are available to fit any manufacturer's signal. They allow positive positioning of the signal head without misalignment. Supplied complete with stainless steel hardware and wire covers.



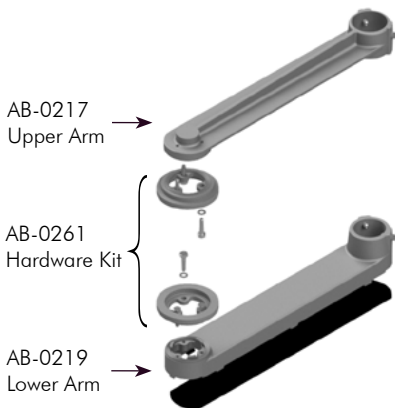
1-Way Arm Kit, 14" CTC, Alum for ICC Ped Head



AB-4012 - Coating
 PNC=Process No Color
 P__=Paint



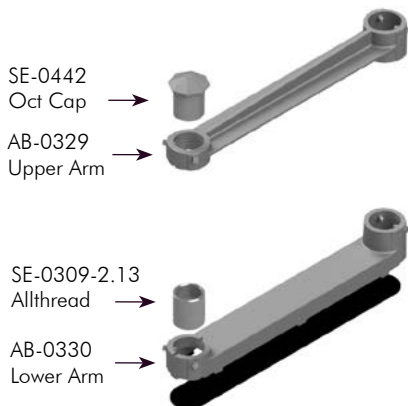
1-Way Arm Kit, 14" CTC, Alum for 3M OPS Signals, Tri-Stud



AB-5000 - Coating
 PNC=Process No Color
 P__=Paint



1-Way Arm Kit, 16" CTC, for OPS Signals, 1-1/2" NPS



AB-5006 - Coating
 PNC=Process No Color
 P__=Paint



Note: 1. All assemblies are supplied standard with stainless steel slotted washer and fasteners.
 2. See Reference Section for available paint colors.



Astro-Brac

pelco
 PELCO PRODUCTS, INC.

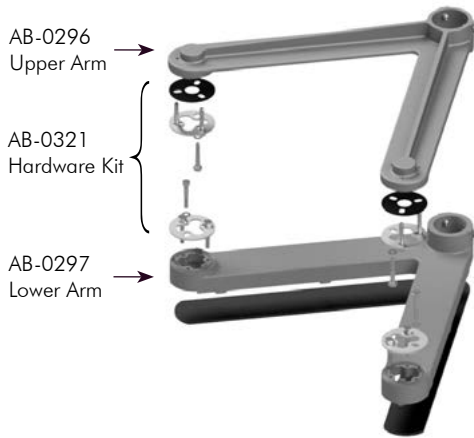
2-Way Astro-Brac Arm Kits

All Pelco arm kits are durable aluminum alloy castings. Various styles are available to fit any manufacturer's signal. They allow positive positioning of the signal head without misalignment. Supplied complete with stainless steel hardware and wire covers.



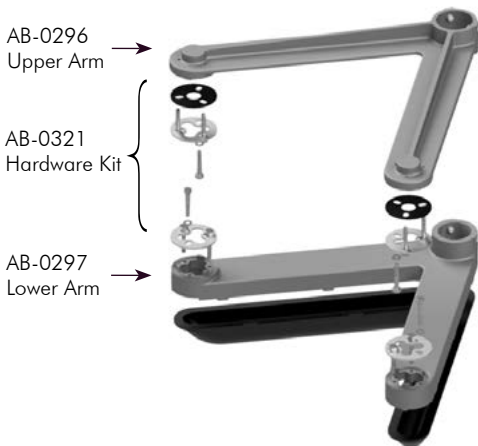
Astro-Brac

pelco
PELCO PRODUCTS, INC.



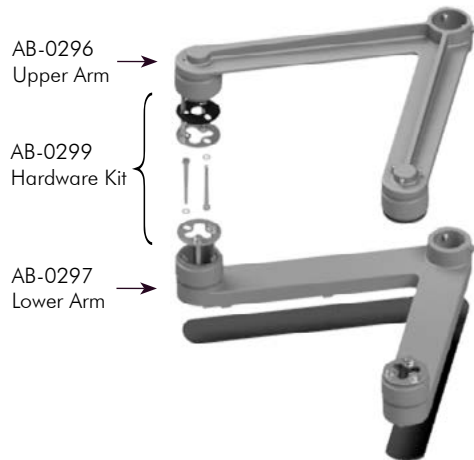
2-Way Arm Kit, 16" CTC, Alum

AB-5008 - Coating
PNC=Process No Color
P__=Paint



2-Way Arm Kit, 16" CTC, Alum Large Capacity

AS-5008 - Coating
PNC=Process No Color
P__=Paint



2-Way Arm Kit, 16" CTC, Alum for ICC Ped Head

AB-4009 - Coating
PNC=Process No Color
P__=Paint

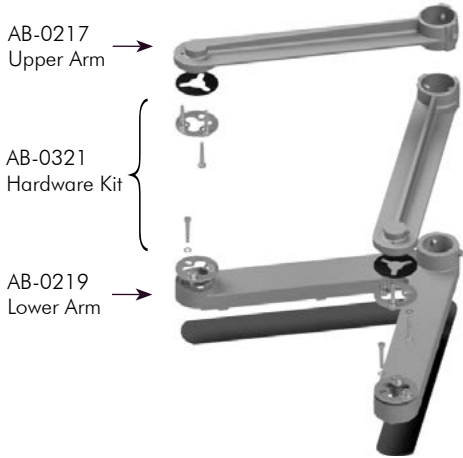


Note: 1. All assemblies are supplied standard with stainless steel fasteners.
2. See Reference Section for available paint colors.



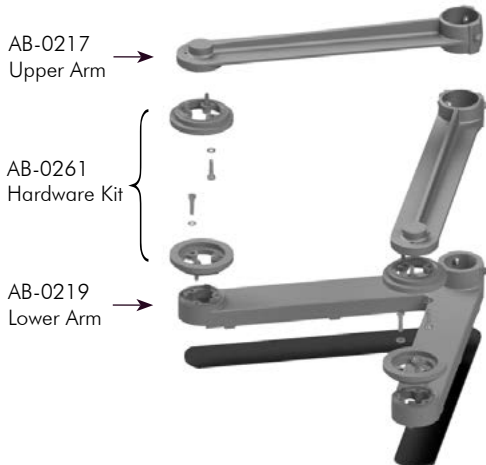
2-Way Variable Astro-Brac Arm Kits

All Pelco arm kits are durable aluminum alloy castings. Various styles are available to fit any manufacturer's signal. They allow positive positioning of the signal head without misalignment. Supplied complete with stainless steel hardware and wire covers.



2-Way Variable Arm Kit, 16" CTC, Alum

AB-5007 - Coating
 PNC=Process No Color
 P__=Paint



2-Way Variable Arm Kit, 16" CTC, Alum for OPS Signals

AB-5011 - Coating
 PNC=Process No Color
 P__=Paint



Note: 1. All assemblies are supplied standard with stainless steel fasteners.
 2. See Reference Section for available paint colors.



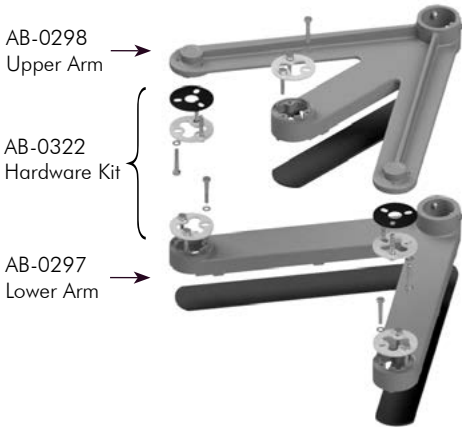
Cluster Astro-Brac Arm Kits

All Pelco arm kits are durable aluminum alloy castings. Various styles are available to fit any manufacturer's signal. They allow positive positioning of the signal head without misalignment. Supplied complete with stainless steel hardware and wire covers.



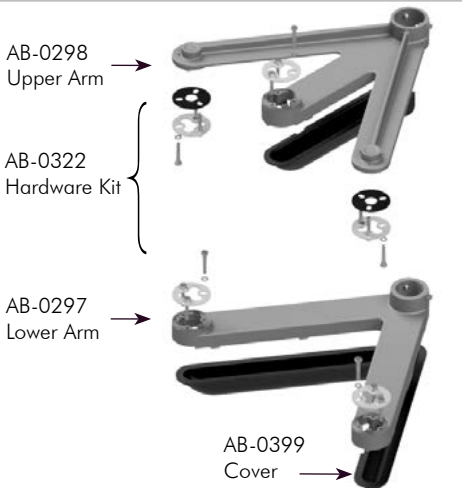
Astro-Brac

pelco
PELCO PRODUCTS, INC.



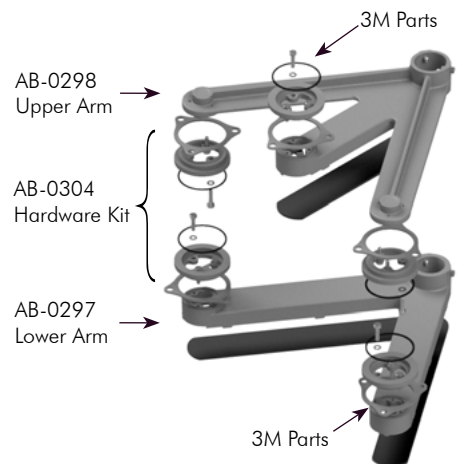
5-Section Cluster Arm Kit, 16" CTC, Alum

AB-5005 - Coating
PNC=Process No Color
P__=Paint



5-Section Cluster Arm Kit, 16" CTC, Alum Large Capacity

AS-5005 - Coating
PNC=Process No Color
P__=Paint



5-Section Cluster Arm Kit, 16" CTC, Alum for 3M OPS Signals

AB-5004 - Coating
PNC=Process No Color
P__=Paint



Note: 1. All assemblies are supplied standard with stainless steel slotted washers and fasteners.
2. See Reference Section for available paint colors.



Aluminum Gusseted Tubes

Supplied in lengths shown below, Pelco's vertical support tubing is made from high strength aluminum alloy. A unique shape and PVC insert insures a complete weather proof wiring installation anywhere along the entire length of the tube. The standard 46" tube will accommodate standard signal combinations up to 3-section 12", with the 58" and 74" lengths for 4 and 5-section combinations. Optional tube lengths are available for mounting OPS signals.



AB-0306
Gusseted Tube



AB-0392
PVC Insert

Astro-Brac Gusseted Tube w/ 3/4" Opening & PVC Insert, 1-1/2" x Length, Threaded One End

| | | | | |
|---------|---|----------------------|---|----------------------|
| AB-2003 | - | Length | - | Coating |
| | | <input type="text"/> | | <input type="text"/> |
| | | 23=23" | | PNC=Process No Color |
| | | 37=37" | | P__=Paint |
| | | 46=46" | | |
| | | 58=58" | | |
| | | 74=74" | | |



AB-0307
Gusseted Tube



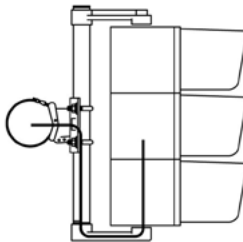
AB-0392
PVC Insert

Astro-Brac Gusseted Tube w/ 3/4" Opening & PVC Insert, 1-1/2" x Length, Threaded Both Ends

| | | | | |
|---------|---|----------------------|---|----------------------|
| AB-2007 | - | Length | - | Coating |
| | | <input type="text"/> | | <input type="text"/> |
| | | 23=23" | | PNC=Process No Color |
| | | 37=37" | | P__=Paint |
| | | 46=46" | | |
| | | 58=58" | | |
| | | 74=74" | | |

Concealed Wiring Installation

Pelco's aluminum gusseted tubes allow wire entry at any point. The PVC insert conceals wiring from mast arm to signal head. Simply run wire through field-drilled hole in mast arm, through Astro-Brac, and into support tube. The hollow lower arm provides a channel for wire to be fed into signal head.



- Note: 1. Standard lengths shown above. Lengths up to 120" maximum are available upon request.
 2. See Reference Section for appropriate tube length for mounting both standard and OPS signals.
 3. See Reference Section for available paint colors.



Aluminum Gusseted Tubes

Supplied in lengths shown below, Pelco's vertical support tubing is made from high strength aluminum alloy. A unique shape and PVC insert insures a complete weather proof wiring installation anywhere along the entire length of the tube. The standard 46" tube will accommodate standard signal combinations up to 3-section 12", with the 58" and 74" lengths for 4 and 5-section combinations. Optional tube lengths are available for mounting OPS signals.



Astro-Brac

pelco
PELCO PRODUCTS, INC.



Gusseted Tube w/ 3/4" Opening, 1-1/2" x Length, No Threads

AB-0390 - Length - Coating

23=23"
37=37"
46=46"
58=58"
74=74"

PNC=Process No Color
P__=Paint



Gusseted Tube w/ 3/4" Opening, 1-1/2" x Length, Threaded One End

AB-0306 - Length - Coating

23=23"
37=37"
46=46"
58=58"
74=74"

PNC=Process No Color
P__=Paint



Gusseted Tube w/ 3/4" Opening, 1-1/2" x Length, Threaded Both Ends

AB-0307 - Length - Coating

23=23"
37=37"
46=46"
58=58"
74=74"

PNC=Process No Color
P__=Paint

- Note: 1. Standard lengths shown above. Lengths up to 120" maximum are available upon request.
2. See Reference Section for appropriate tube length for routing both standard and OPS signals.
3. See Reference Section for available paint colors.



Aluminum Tubes

Supplied in lengths shown below, Pelco's vertical support tubing is made from high strength aluminum alloy. The standard 46" tube will accommodate standard signal combinations up to 3-section 12", with the 58" and 74" lengths for 4 and 5-section combinations. Optional tube lengths are available for mounting OPS signals.



Tube, 1-1/2" SCH 40 Aluminum, 1-7/8" OD x Length, No Threads

SE-0484 - Length - Coating

23=23"
37=37"
46=46"
58=58"
74=74"

PNC=Process No Color
P__=Paint



Tube, 2" SCH 40 Aluminum, 2-3/8" OD x Length, No Threads

SE-0494 - Length - Coating

23=23"
37=37"
46=46"
58=58"
74=74"

PNC=Process No Color
P__=Paint

- Note: 1. Standard lengths shown above. Lengths up to 120" maximum are available upon request.
2. See Reference Section for appropriate tube length for mounting both standard and OPS signals.
3. See Reference Section for available paint colors.



Astro-Brac Hardware Kits



AB-0321-SS **Hardware Kit, 1-Way Arm,
1/4"-20NC**



AB-0383-SS **Hardware Kit, CGB Arm,
1/4"-20NC**



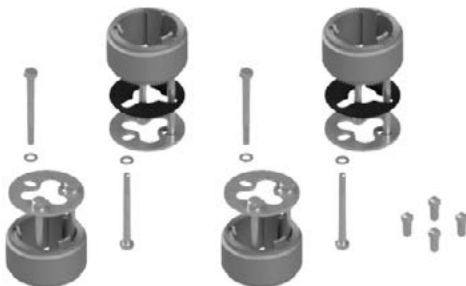
AB-0261-SS **Hardware Kit, OPS 1-Way,
1/4"-20NC, 3M Adapter Ring**



AB-0322-SS **Hardware Kit, 5-Section Cluster,
1/4"-20NC**



AB-0304-SS **Hardware Kit, OPS 5-Section Cluster,
1/4"-20NC, 3M Adapter Ring**



AB-0299-SS **Hardware Kit, 2-Way ICC Ped Signal,
1/4"-20NC, Ped Head Adapter**

Note: 1. All hardware kits are supplied standard with stainless slotted washers and fasteners.



Astro-Brac Hardware Kits



AB-0204-GLV **Clamp Screw Kit, 7/16"-14,
Galvanized**



AB-0204-SS **Clamp Screw Kit, 7/16"-14,
Stainless**



AB-0303-GLV **Clamp Screw Kit, 7/16"-14,
Galvanized**



AB-0303-SS **Clamp Screw Kit, 7/16"-14,
Stainless**



AB-0256-SS **V-Bolt Kit, 5/16"-18,
Stainless**

Astro-Brac

pelco
PELCO PRODUCTS, INC.



Astro-Brac Hardware Kits

Astro-Brac

pelco
PELCO PRODUCTS, INC.



Cable Assy, Stainless Ends & Galv Cable

AB-0280 - Length - GLV
See Note

Cable Assy, Stainless Ends & Stainless Cable

AB-0320 - Length - SS
See Note

Note:
Cable Length: 62", 84", 96", 110", 120", 132", 144", 220", or 280".



Band Assy, Set of 2, Stainless w/ Clamps, Set Screws, & Groove Pins

AB-0509 - Length - SS
See Note

Note:
Band Length: 29", 36", 42", 48", 56", 72", 84", 96", or 114".



AB-0506-ZN2 **Ty-Back Restraining Clamp**
For use with Cable
Stellar & Atlas Clamp Kits

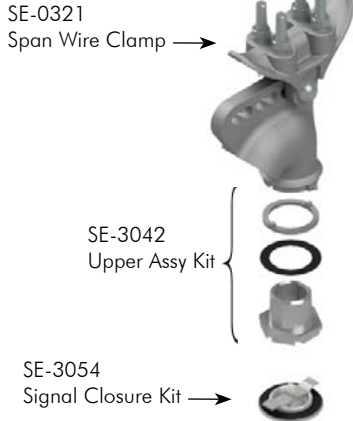


AB-1000-PNC **Helping Hand Assembly**
For use with
Galaxy & Stellar Clamp Kits



Aluminum 1-Way Hanger Assemblies

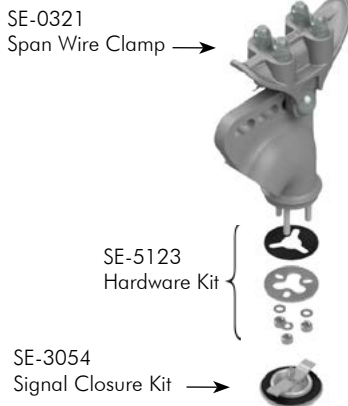
Pelco's Span Wire mountings are available in aluminum or iron with 1-1/2" or tri-stud fittings. Balance adjusters provide additional adjustment capabilities, while tether assemblies may be used to anchor the bottom of signals in windy applications.



Span Wire Hanger Assy, Alum Cast Nipple

SE-3043 - - -

| | | |
|---------------------------------------|----------------------------|-----------------------------------|
| Bushing | Stainless Upgrade | Coating |
| Blank=None SB=Stainless Bushing | Blank=Galv SS=Stainless | PNC=Process No Color P__=Paint |



Span Wire Hanger Assy, Alum Tri-Stud

SE-5089 - - -

| | | |
|---------------------------------------|----------------------------|-----------------------------------|
| Bushing | Stainless Upgrade | Coating |
| Blank=None SB=Stainless Bushing | Blank=Galv SS=Stainless | PNC=Process No Color P__=Paint |



Span Wire Hanger Assy, Alum w/ Iron Balance Adjuster Cast Nipple

SE-3033 - - -

| | | |
|---------------------------------------|----------------------------|-----------------------------------|
| Bushing | Stainless Upgrade | Coating |
| Blank=None Sb=Stainless Bushing | Blank=Galv SS=Stainless | PNC=Process No Color P__=Paint |

Note:
Stainless upgrade to include stainless u-bolts and clevis pins.

Note: 1. All assemblies are supplied standard with stainless slotted washer and fasteners, with galvanized hardware on span wire clamps. Stainless upgrade shall include stainless steel hardware and pins.
2. See Reference Section for available paint colors.

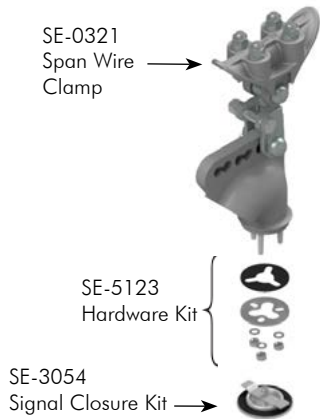


Aluminum 1-Way Hanger Assemblies

Pelco's Span Wire mountings are available in aluminum or iron with 1-1/2" or tri-stud fittings. Balance adjusters provide additional adjustment capabilities, while tether assemblies may be used to anchor the bottom of signals in windy applications.



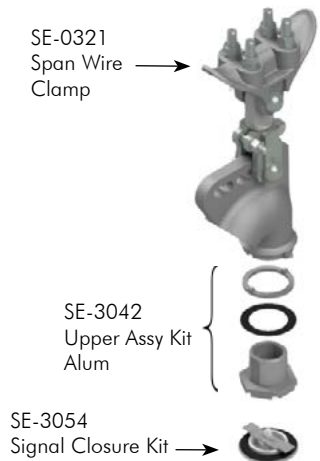
FREE-SWINGING



Span Wire Hanger Assy w/ Iron Balance Adjuster Tri-Stud, Alum

SE-5162 - - -

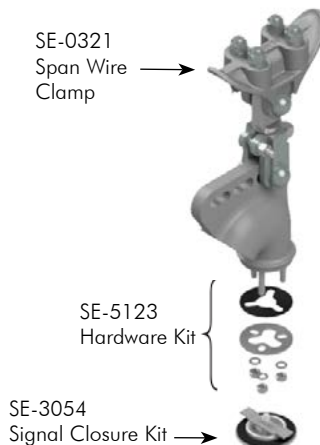
| | | |
|---------------------------------------|----------------------------|-----------------------------------|
| Bushing | Stainless Upgrade | Coating |
| Blank=None SB=Stainless Bushing | Blank=Galv SS=Stainless | PNC=Process No Color P__=Paint |



Span Wire Hanger Assy w/ PAL Balance Adjuster Cast Nipple, Alum

SE-3276 - - -

| | | |
|---------------------------------------|----------------------------|-----------------------------------|
| Bushing | Stainless Upgrade | Coating |
| Blank=None SB=Stainless Bushing | Blank=Galv SS=Stainless | PNC=Process No Color P__=Paint |



Span Wire Hanger Assy w/ PAL Balance Adjuster Tri-Stud, Alum

SE-5164 - - -

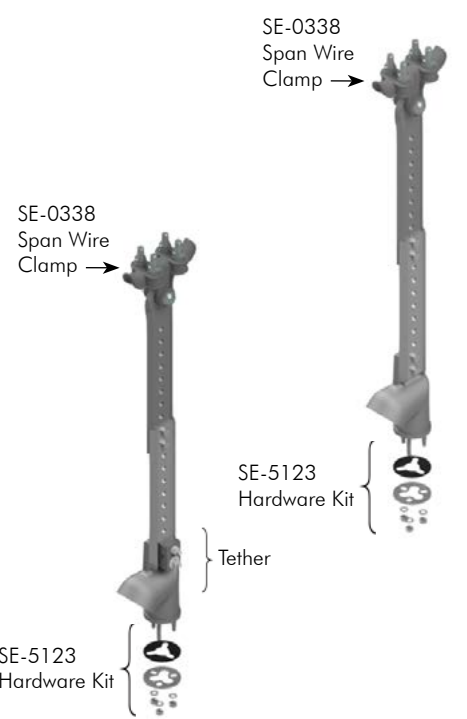
| | | |
|---------------------------------------|----------------------------|-----------------------------------|
| Bushing | Stainless Upgrade | Coating |
| Blank=None SB=Stainless Bushing | Blank=Galv SS=Stainless | PNC=Process No Color P__=Paint |

Note: 1. All assemblies are supplied standard with stainless slotted washer and fasteners, with galvanized hardware on span wire clamps. Stainless upgrade shall include stainless steel hardware and pins.
2. See Reference Section for available paint colors.



Aluminum 1-Way Hanger Assemblies Tri-Stud

Pelco's Span Wire mountings are available in aluminum or iron with 1-1/2" or tri-stud fittings. Balance adjusters provide additional adjustment capabilities, while tether assemblies may be used to anchor the bottom of signals in windy applications.

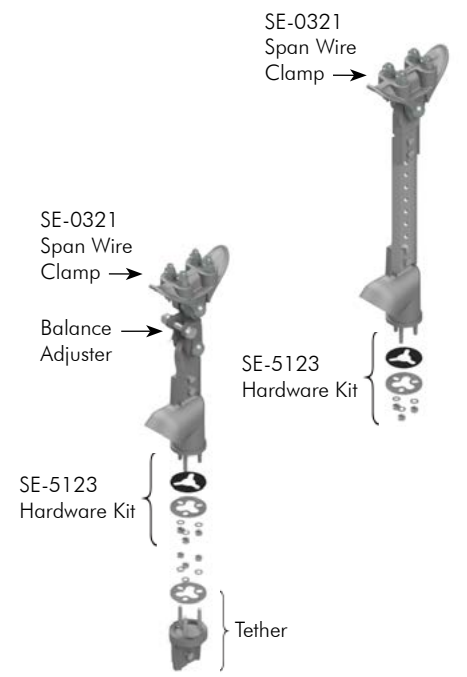


Span Wire Hanger Assy, w/ Iron Span Wire Clamp, Tri-Stud & Adjustable Extender, Alum

| | | | | | | |
|---------|---|--------------------------|---|--------------------------|---|--------------------------|
| SE-5072 | - | Extender | - | Stainless Upgrade | - | Coating |
| | | <input type="checkbox"/> | | <input type="checkbox"/> | | <input type="checkbox"/> |
| | | 06=6" Length | | Blank=Galv | | PNC=Process No Color |
| | | 11=11" Length | | SS=Stainless | | P__=Paint |
| | | 19=19" Length | | | | |
| | | 40=40" Length | | | | |
| | | 48=48" Length | | | | |
| | | 72=72" Length | | | | |

Span Wire Hanger Assy, w/ Iron Span Wire Clamp, Tri-Stud, Adjustable Extender & Tether, Alum

| | | | | | | |
|---------|---|--------------------------|---|--------------------------|---|--------------------------|
| SE-5024 | - | Extender | - | Stainless Upgrade | - | Coating |
| | | <input type="checkbox"/> | | <input type="checkbox"/> | | <input type="checkbox"/> |
| | | 06=6" Length | | Blank=Galv | | PNC=Process No Color |
| | | 11=11" Length | | SS=Stainless | | P__=Paint |
| | | 19=19" Length | | | | |
| | | 40=40" Length | | | | |
| | | 48=48" Length | | | | |
| | | 72=72" Length | | | | |



Span Wire Hanger Assy, w/ Alum Span Wire Clamp, Tri-Stud, Alum

| | | | | | | | | |
|---------|---|--------------------------|---|--------------------------|---|--------------------------|---|--------------------------|
| SE-5196 | - | Extender | - | Bushing | - | Stainless Upgrade | - | Coating |
| | | <input type="checkbox"/> | | <input type="checkbox"/> | | <input type="checkbox"/> | | <input type="checkbox"/> |
| | | 06=6" Length | | Blank=None | | Blank=Galv | | PNC=Process No Color |
| | | 11=11" Length | | SB=Stainless Bushing | | SS=Stainless | | P__=Paint |
| | | 19=19" Length | | | | | | |
| | | 40=40" Length | | | | | | |
| | | 48=48" Length | | | | | | |
| | | 72=72" Length | | | | | | |

Span Wire Hanger Assy, w/ Alum Span Wire Clamp, Tri-Stud, Iron Balance Adjuster & Tether, Alum

| | | | | | | |
|---------|---|--------------------------|---|--------------------------|---|--------------------------|
| SE-5073 | - | Bushing | - | Stainless Upgrade | - | Coating |
| | | <input type="checkbox"/> | | <input type="checkbox"/> | | <input type="checkbox"/> |
| | | Blank=None | | Blank=Galv | | PNC=Process No Color |
| | | SB=Stainless Bushing | | SS=Stainless | | P__=Paint |

Note: 1. All assemblies are supplied standard with stainless slotted washer and fasteners, with galvanized hardware on span wire clamps. Stainless upgrade shall include stainless steel hardware and pins.
 2. See Reference Section for available paint colors.



Aluminum 2-Way, 3-Way & 4-Way Span Wire Hanger Assemblies

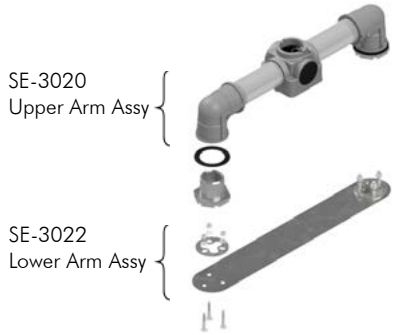


Pelco's Span Wire mountings are available in aluminum or iron with 1-1/2" or tri-stud fittings. Balance adjusters provide additional adjustment capabilities, while tether assemblies may be used to anchor the bottom of signals in windy applications.

| | | | | |
|----------|----------|----------|-------------------|--------------|
| 1 | 2 | 3 | Stainless Upgrade | Coating |
| | | | Bushing | Coating |
| | | | Blank=Galv | PNC=Process |
| | | | SB=Stainless | SS=Stainless |
| | | | Blank=None | No Color |
| | | | Bushing | P__=Paint |

1. SE-3019 - - - **Span Wire Hanger, 1-1/2" NPS**
2. SE-3272 - - - **Span Wire Hanger, 1-1/2" NPS w/ Iron Balance Adjuster**
3. SE-3274 - - - **Span Wire Hanger, 1-1/2" NPS w/ PAL Balance Adjuster**

Note: For use with Upper & Lower Arm Assy's below.



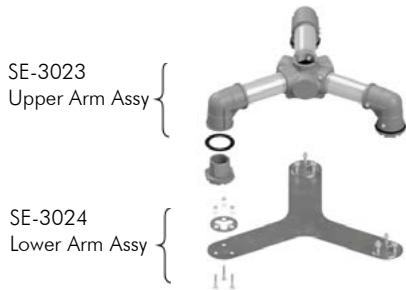
Upper & Lower Arm Assy, 2-Way 16-1/2" CTC, Alum

SE-3038 -

Coating

PNC=Process No Color

P__=Paint



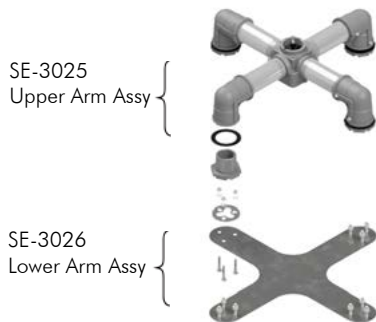
Upper & Lower Arm Assy, 3-Way 16-1/2" CTC, Alum

SE-3039 -

Coating

PNC=Process No Color

P__=Paint



Upper & Lower Arm Assy, 4-Way 16-1/2" CTC, Alum

SE-3040 -

Coating

PNC=Process No Color

P__=Paint

Note: 1. All assemblies are supplied standard with stainless slotted washer and fasteners, with galvanized hardware on span wire clamps. Stainless upgrade shall include stainless steel hardware and pins.
2. See Reference Section for available paint colors.

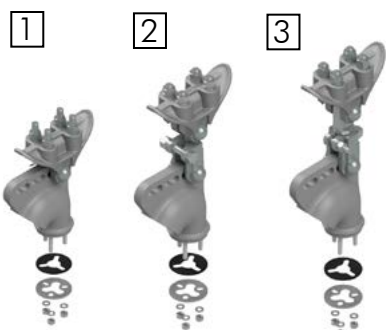


FREE-SWINGING



Aluminum 2-Way, 3-Way & 4-Way Span Wire Hanger Assemblies

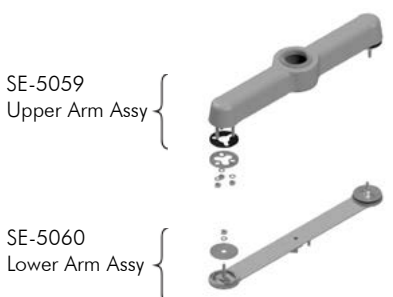
Pelco's Span Wire mountings are available in aluminum or iron with 1-1/2" or tri-stud fittings. Balance adjusters provide additional adjustment capabilities, while tether assemblies may be used to anchor the bottom of signals in windy applications.



- 1. SE-5063 - Bushing - Stainless Upgrade - Coating
 - 2. SE-5088 - - -
 - 3. SE-5163 - - -
- Blank=None Blank=Galv PNC=Process
 SB=Stainless SS=Stainless No Color
 Bushing P__=Paint

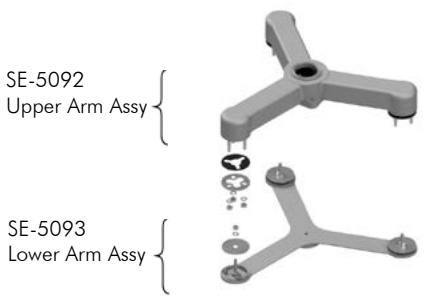
Span Wire Hanger, Tri-Stud
Span Wire Hanger, Tri-Stud w/ Iron Balance Adjuster
Span Wire Hanger, Tri-Stud w/ PAL Balance Adjuster

Note: For use with Upper & Lower Arm Assy's below.



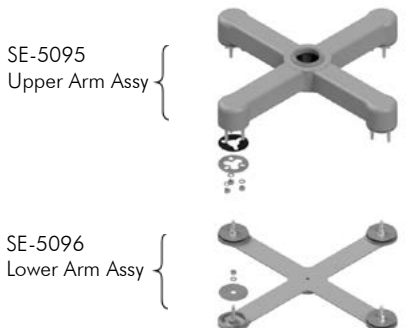
Upper & Lower Arm Assy, 2-Way 17" CTC, Cast Tri-Stud, Alum

- SE-5061 - Coating
- PNC=Process No Color
- P__=Paint



Upper & Lower Arm Assy, 3-Way 17" CTC, Cast Tri-Stud, Alum

- SE-5094 - Coating
- PNC=Process No Color
- P__=Paint



Upper & Lower Arm Assy, 4-Way 17" CTC, Cast Tri-Stud, Alum

- SE-5097 - Coating
- PNC=Process No Color
- P__=Paint

Note: 1. All assemblies are supplied standard with stainless slotted washer and fasteners, with galvanized hardware on span wire clamps. Stainless upgrade shall include stainless steel hardware and pins.
 2. See Reference Section for available paint colors.



Aluminum 5-Section Cluster Span Wire Hanger Assemblies

Pelco's Span Wire mountings are available in aluminum or iron with 1-1/2" or tri-stud fittings. Balance adjusters provide additional adjustment capabilities, while tether assemblies may be used to anchor the bottom of signals in windy applications.



Cluster Assy, 5-Section 16-1/2" CTC, Cast Nipple, Alum

SE-3120 - - -

Bushing Stainless Upgrade Coating

Blank=None Blank=Galv PNC=Process No Color

SS=Stainless SS=Stainless P__=Paint

Bushing



Cluster Assy, 5-Section 16-1/2" CTC, Cast Nipple, Alum

SE-3137 - - -

Bushing Stainless Upgrade Coating

Blank=None Blank=Galv PNC=Process No Color

SS=Stainless SS=Stainless P__=Paint

Bushing



Note: 1. All assemblies are supplied standard with stainless slotted washer and fasteners, with galvanized hardware on span wire clamps. Stainless upgrade shall include stainless steel hardware and pins.
2. See Reference Section for available paint colors.

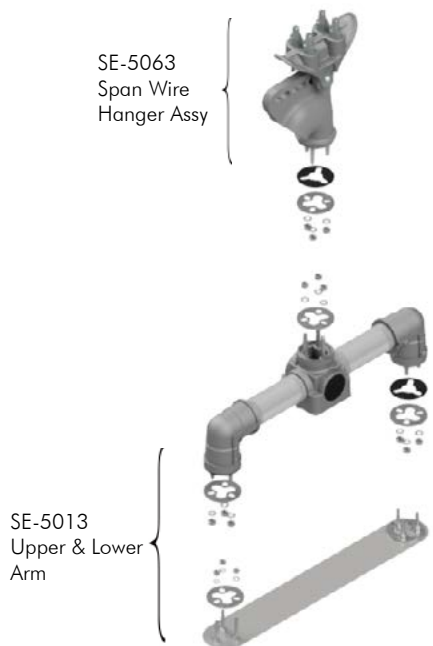


FREE-SWINGING



Aluminum 5-Section Cluster Span Wire Hanger Assemblies

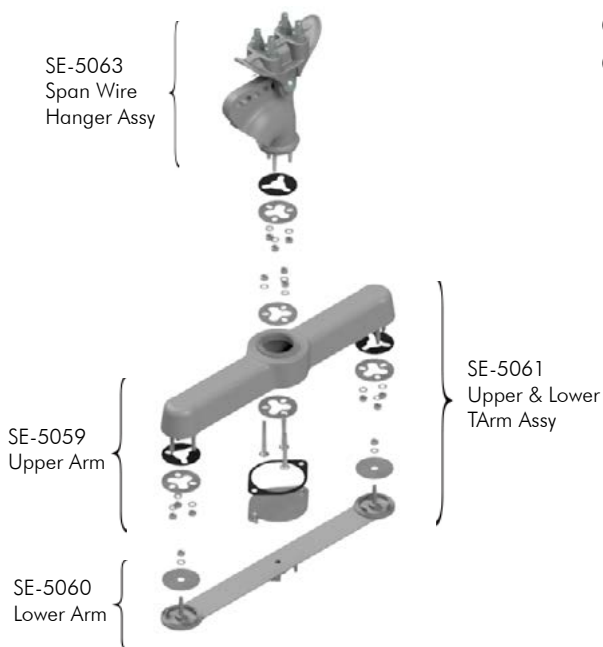
Pelco's Span Wire mountings are available in or iron aluminum with 1-1/2" or tri-stud fittings. Balance adjusters provide additional adjustment capabilities, while tether assemblies may be used to anchor the bottom of signals in windy applications.



Cluster Assy, 5-Section 16-1/2" CTC, Cast Nipple, Alum

SE-5166 - - -

Bushing Stainless Upgrade Coating
 Blank=None Blank=Galv PNC=Process No Color
 SS=Stainless SS=Stainless P__=Paint
 Bushing



Cluster Assy, 5-Section 16-1/2" CTC, Cast Nipple, Alum

SE-5165 - - -

Bushing Stainless Upgrade Coating
 Blank=None Blank=Galv PNC=Process No Color
 SS=Stainless SS=Stainless P__=Paint
 Bushing

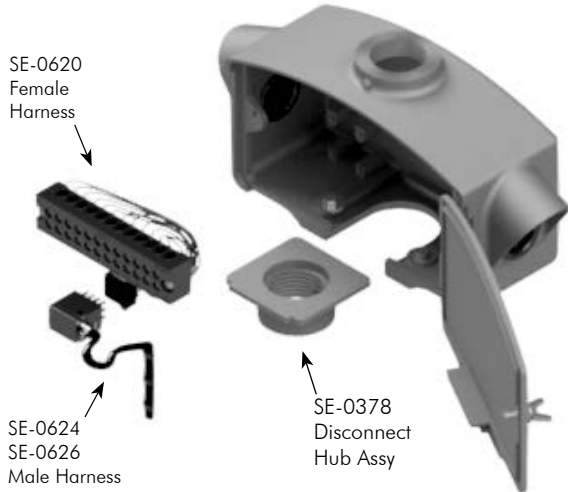


Note: 1. All assemblies are supplied standard with stainless slotted washer and fasteners, with galvanized hardware on span wire clamps. Stainless upgrade shall include stainless steel hardware and pins.
 2. See Reference Section for available paint colors.



12 Circuit Disconnect Hanger Assemblies

Pelco's Disconnect Hangers are available in 12-circuit and 18-circuit with 1-1/2" threaded or slip top and 1-1/2" threaded or tri-stud bottom hubs.

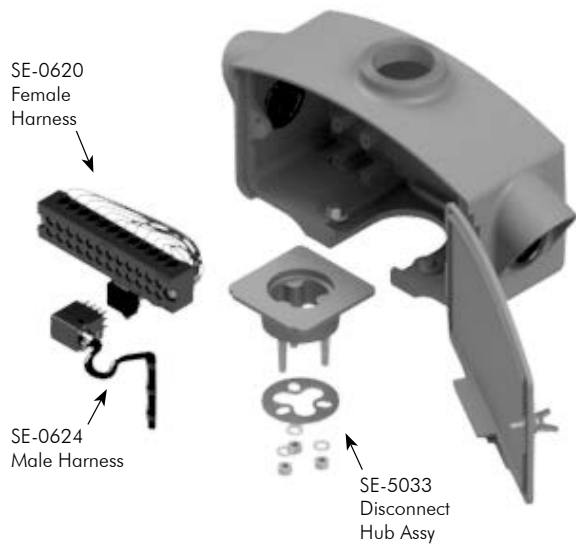


Disconnect Hanger, 12-Circuit 1-1/2" NPS Top & Bottom Hub w/ 4' Harness, Alum

SE-3073 - Coating
PNC=Process No Color
P__=Paint

Disconnect Hanger, 12-Circuit 1-1/2" NPS Top & Bottom Hub w/ 7' Harness, Alum

SE-3195 - Coating
PNC=Process No Color
P__=Paint



Disconnect Hanger, 12-Circuit 2" Slip Top & Tri-Stud Bottom Hub w/ 4' Harness, Alum

SE-5031 - Coating
PNC=Process No Color
P__=Paint

- Note: 1. All harnesses come with 18 AWG wire pre-tinned and numbered on 3" centers.
2. All assemblies are supplied standard with stainless steel slotted washers and fasteners.
3. See Reference Section for available paint colors.

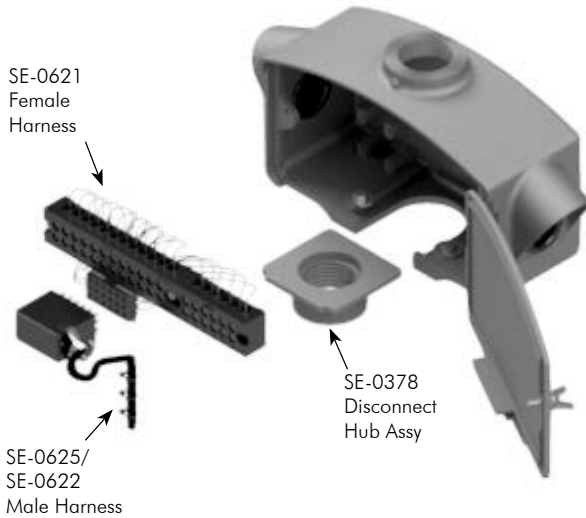


18 Circuit Disconnect Hanger Assemblies

Pelco's Disconnect Hangers are available in 12-circuit and 18-circuit with 1-1/2" threaded or slip top and 1-1/2" threaded or tri-stud bottom hubs.



FREE-SWINGING



Disconnect Hanger, 18-Circuit 1-1/2" NPS Top & Bottom Hub w/ 4' Harness, Alum

SE-3077 - Coating
 PNC=Process No Color
 P__=Paint

Disconnect Hanger, 18-Circuit 1-1/2" NPS Top & Bottom Hub w/ 7' Harness

SE-3196 - Coating
 PNC=Process No Color
 P__=Paint



Disconnect Hanger, 18-Circuit 2" Slip Top & Tri-Stud Bottom Hub w/ 4' Harness, Alum

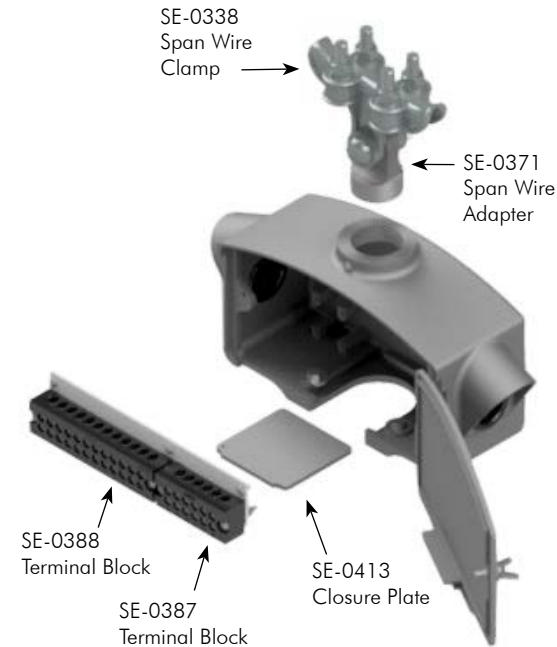
SE-5032 - Coating
 PNC=Process No Color
 P__=Paint

- Note: 1. All harnesses come with 18 AWG wire pre-tinned and numbered on 3" centers.
 2. All assemblies are supplied standard with stainless steel slotted washers and fasteners.
 3. See Reference Section for available paint colors.



Span Wire Terminal Compartment

Pelco's Disconnect Hangers are available in 12-circuit and 18-circuit with 1-1/2" threaded or slip top and 1-1/2" threaded or tri-stud bottom hubs.



Span Wire Terminal Compartment, 18-Circuit w/ Iron Hanger Assembly, Alum

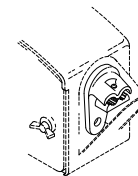
SE-3092 - -
 Stainless Upgrade Coating
 Blank=Galv PNC=Process No Color
 SS=Stainless P__=Paint

Note:
 Stainless upgrade to include stainless u-bolts and clevis pins.

Cable Clamp Kit, 2-Cable, Alum



SE-4201 -
 Coating
 PNC=Process No Color
 P__=Paint



Note: 1. All assemblies are supplied standard with stainless slotted washer and fasteners, with galvanized hardware on span wire clamps. Stainless upgrade shall include stainless steel hardware and pins.
 2. See Reference Section for available paint colors.



Hanger Assemblies

Various hanger assemblies are available for mounting Disconnects. Assemblies are available with or without span wire clamps, balance adjusters, and extenders to fit any specific requirement.



Hanger Assy, Span Wire Adapter, 1-1/2" NPS, Alum

SE-5215 - - -

| | | |
|--------------|-------------------|----------------------|
| Bushing | Stainless Upgrade | Coating |
| Blank=None | Blank=Galv | PNC=Process No Color |
| SS=Stainless | SS=Stainless | P__=Paint |
| Bushing | | |



SE-5123 Hardware Kit

Hanger Assy, Span Wire, Tri-Stud Balance Adjuster, Alum

SE-5216 - - -

| | | |
|--------------|-------------------|----------------------|
| Bushing | Stainless Upgrade | Coating |
| Blank=None | Blank=Galv | PNC=Process No Color |
| SS=Stainless | SS=Stainless | P__=Paint |
| Bushing | | |



SE-5123 Hardware Kit

Balance Assy, Tri-Stud, 3/4" Width, Alum

SE-5034 - -

| | |
|--------------|----------------------|
| Bushing | Coating |
| Blank=None | PNC=Process No Color |
| SS=Stainless | P__=Paint |
| Bushing | |



SE-5123 Hardware Kit

Hanger Assy, Span Wire, Tri-Stud Connector, Alum

SE-5217 - - -

| | | |
|--------------|-------------------|----------------------|
| Bushing | Stainless Upgrade | Coating |
| Blank=None | Blank=Galv | PNC=Process No Color |
| SS=Stainless | SS=Stainless | P__=Paint |
| Bushing | | |



SE-5123 Hardware Kit

Hanger Assy, Tri-Stud, 1/2" Width, Alum

SE-5036 - -

| | |
|--------------|----------------------|
| Bushing | Coating |
| Blank=None | PNC=Process No Color |
| SS=Stainless | P__=Paint |
| Bushing | |

Note: 1. All assemblies are supplied standard with stainless slotted washer and fasteners, with galvanized hardware on span wire clamps. Stainless upgrade shall include stainless steel hardware and pins.
 2. See Reference Section for available paint colors.



Hanger Assemblies

Various hanger assemblies are available for mounting Disconnects. Assemblies are available with or without span wire clamps, balance adjusters, and extenders to fit any specific requirement.



Hanger Assy, Opticom Preemption, 1" NPT w/ Span Wire Clamp & Tether, Alum

SE-3333 - - -

| | | |
|--|----------------------------|-----------------------------------|
| Extender | Stainless Upgrade | Coating |
| Blank=None 11=11" Extender 19=19" Extender 40=40" Extender 72=72" Extender | Blank=Galv SS=Stainless | PNC=Process No Color P__=Paint |

FREE-SWINGING



Note: 1. All assemblies are supplied standard with stainless slotted washer and fasteners, with galvanized hardware on span wire clamps. Stainless upgrade shall include stainless steel hardware and pins.
2. See Reference Section for available paint colors.



Hanger Assemblies

Various hanger assemblies are available for mounting Disconnects. Assemblies are available with or without span wire clamps, balance adjusters, and extenders to fit any specific requirement.



SE-0321
Span Wire
Clamp



Hanger Assy, Tri-Stud Adjustable Span Wire Clamp & Tether, Alum

SE-5118 - - -

| | | | | | | |
|---------------------------------------|----------------------------|----------------------------|---------------------------------------|----------------------------|----------------------------|-----------------------------------|
| Blank=None SS=Stainless Bushing | Blank=Galv SS=Stainless | Blank=Galv SS=Stainless | Blank=None SS=Stainless Bushing | Blank=Galv SS=Stainless | Blank=Galv SS=Stainless | PNC=Process No Color P__=Paint |
|---------------------------------------|----------------------------|----------------------------|---------------------------------------|----------------------------|----------------------------|-----------------------------------|

SE-5123
Hardware Kit



Hanger Assy, Tri-Stud Adjustable Tether, Alum

SE-5055 - -

| | | | | | | |
|---------------------------------------|----------------------------|----------------------------|---------------------------------------|----------------------------|----------------------------|-----------------------------------|
| Blank=None SS=Stainless Bushing | Blank=Galv SS=Stainless | Blank=Galv SS=Stainless | Blank=None SS=Stainless Bushing | Blank=Galv SS=Stainless | Blank=Galv SS=Stainless | PNC=Process No Color P__=Paint |
|---------------------------------------|----------------------------|----------------------------|---------------------------------------|----------------------------|----------------------------|-----------------------------------|

SE-5123
Hardware Kit



Note: 1. All assemblies are supplied standard with stainless slotted washer and fasteners, with galvanized hardware on span wire clamps. Stainless upgrade shall include stainless steel hardware and pins.
2. See Reference Section for available paint colors.



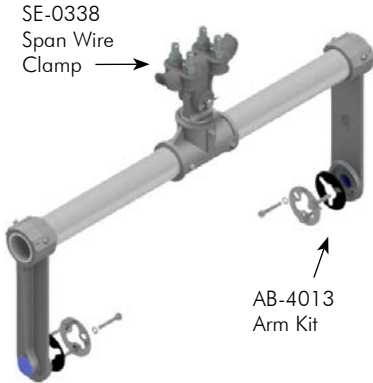
Aluminum Horizontal Span Wire Assemblies

Horizontal assemblies are available with aluminum or iron span wire clamps and wire outlet body for up to a 5-section signal.



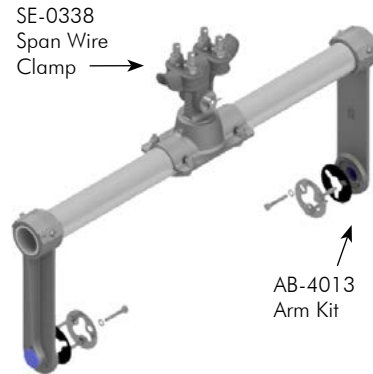
FREE-SWINGING

pelco
PELCO PRODUCTS, INC.



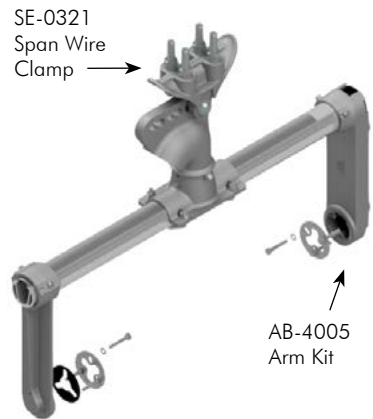
Horizontal Span Wire Assy w/ Slip Tee, Iron Clamp, Alum

| | | | | | |
|-----------|---|---|----------------------------|---|------------------------------------|
| AB-0127 - | Signal Section | - | Stainless Upgrade | - | Coating |
| | 1=1 Sec 2=2 Sec 3=3 Sec 4=4 Sec 5=5 Sec | | Blank=Galv SS=Stainless | | PNC=Process No Color P_=_=Paint |
| | | | | | ○○○○ |



Horizontal Span Wire Assy w/ Tube Saddle, Iron Clamp, Alum

| | | | | | |
|-----------|---|---|----------------------------|---|------------------------------------|
| AB-0123 - | Signal Section | - | Stainless Upgrade | - | Coating |
| | 1=1 Sec 2=2 Sec 3=3 Sec 4=4 Sec 5=5 Sec | | Blank=Galv SS=Stainless | | PNC=Process No Color P_=_=Paint |
| | | | | | ○○○○ |



Horizontal Span Wire Assy w/ Wire Outlet Body, Alum

| | | | | | | | |
|-----------|---|---|---------------------------------------|---|----------------------------|---|------------------------------------|
| AB-0122 - | Signal Section | - | Bushing | - | Stainless Upgrade | - | Coating |
| | 1=1 Sec 2=2 Sec 3=3 Sec 4=4 Sec 5=5 Sec | | Blank=None SS=Stainless Bushing | | Blank=Galv SS=Stainless | | PNC=Process No Color P_=_=Paint |
| | | | | | | | ○○○○ |

Note: 1. All assemblies are supplied standard with stainless slotted washer and fasteners, with galvanized hardware on span wire clamps. Stainless upgrade shall include stainless steel hardware and pins.
2. See Reference Section for available paint colors.



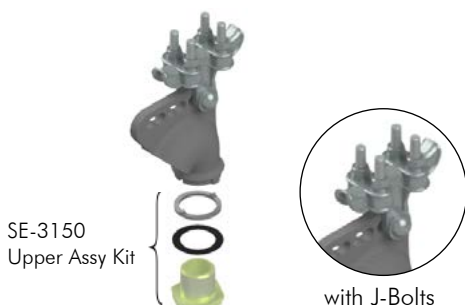
Iron 1-Way Hanger Assemblies

Pelco's Span Wire mountings are available in aluminum or iron with 1-1/2" or tri-stud fittings. Balance adjusters provide additional adjustment capabilities, while tether assemblies may be used to anchor the bottom of signals in windy applications.



Hanger Assy, Tri-Stud, Iron

SE-5090 - -
Coating
P__=Paint



Span Wire Hanger Assy, Iron w/ Signal Closure Kit

SE-3139 - -
Stainless Upgrade Coating
Blank=Galv P__=Paint
SS=Stainless

Span Wire Hanger Assy, Iron w/ J-Bolts & Signal Closure Kit

SE-3250 - -
Stainless Upgrade Coating
Blank=Galv P__=Paint
SS=Stainless



Span Wire Hanger Assy, Iron w/ Balance Adjuster & Signal Closure Kit

SE-3151 - -
Stainless Upgrade Coating
Blank=Galv P__=Paint
SS=Stainless

Span Wire Hanger Assy, Iron w/ PAL Balance Adjuster & Signal Closure Kit

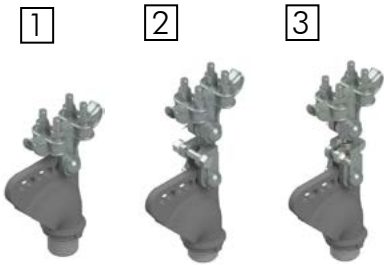
SE-3277 - -
Stainless Upgrade Coating
Blank=Galv P__=Paint
SS=Stainless

Note: 1. All assemblies are supplied standard with stainless slotted washer and fasteners, with galvanized hardware on span wire clamps. Stainless upgrade shall include stainless steel hardware and pins.
 2. See Reference Section for available paint colors.



Iron 2-Way, 3-Way & 4-Way Span Wire Hanger Assemblies

Pelco's Span Wire mountings are available in aluminum or iron with 1-1/2" or tri-stud fittings. Balance adjusters provide additional adjustment capabilities, while tether assemblies may be used to anchor the bottom of signals in windy applications.



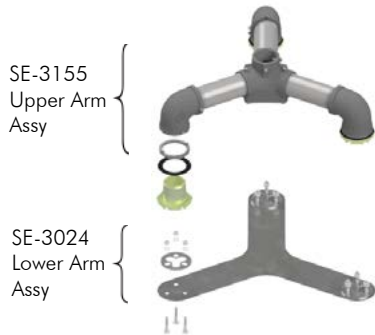
- | | | | | | |
|------------|---|--------------------------|---|--------------------------|---|
| 1. SE-3070 | - | <input type="checkbox"/> | - | <input type="checkbox"/> | Span Wire Hanger, 1-1/2" NPS |
| 2. SE-3273 | - | <input type="checkbox"/> | - | <input type="checkbox"/> | Span Wire Hanger, 1-1/2" NPS w/ Balance Adjuster |
| 3. SE-3275 | - | <input type="checkbox"/> | - | <input type="checkbox"/> | Span Wire Hanger, 1-1/2" NPS w/ PAL Balance Adjuster |
- Stainless Upgrade Coating
 Blank=Galv P__=Paint
 SS=Stainless

Note: For use with Upper & Lower Arm Assy's below.



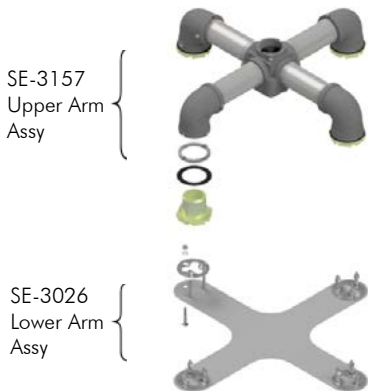
Upper & Lower Arm Assy, 2-Way 16-1/2" CTC

SE-3154 - Coating
 P__=Paint



Upper & Lower Arm Assy, 3-Way 16-1/2" CTC

SE-3156 - Coating
 P__=Paint



Upper & Lower Arm Assy, 4-Way 16-1/2" CTC

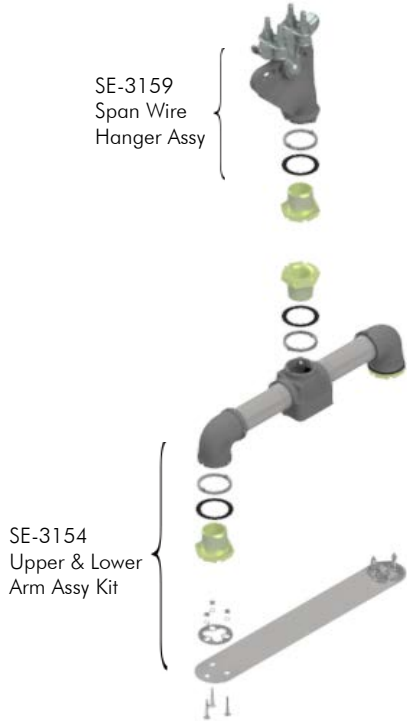
SE-3158 - Coating
 P__=Paint

Note: 1. All assemblies are supplied standard with stainless slotted washer and fasteners, with galvanized hardware on span wire clamps. Stainless upgrade shall include stainless steel hardware and pins.
 2. See Reference Section for available paint colors.



Iron 5-Section Cluster Span Wire Hanger Assemblies

Pelco's Span Wire mountings are available in aluminum or iron with 1-1/2" or tri-stud fittings. Balance adjusters provide additional adjustment capabilities, while tether assemblies may be used to anchor the bottom of signals in windy applications.



Cluster Assy, 5-Section 16-1/2" CTC

SE-3160 - -
 Stainless Upgrade Coating
 Blank=Galv P__=Paint
 SS=Stainless



Cluster Assy, 5-Section 16-1/2" CTC

SE-3161 - -
 Stainless Upgrade Coating
 Blank=Galv P__=Paint
 SS=Stainless



Note: 1. All assemblies are supplied standard with stainless slotted washer and fasteners, with galvanized hardware on span wire clamps. Stainless upgrade shall include stainless steel hardware and pins.
 2. See Reference Section for available paint colors.



Signal Accessories

Pelco supplies various accessories for span wire mounted signs and signals. See Section T14 for additional components.



Lower Arm Assy, 2-Way, 16-1/2" CTC, Steel

SE-3162 - Coating
P__=Paint



Lower Arm Assy, 3-Way, 16-1/2" CTC, Steel

SE-3163 - Coating
P__=Paint



Lower Arm Assy, 4-Way, 16-1/2" CTC, Steel

SE-3164 - Coating
P__=Paint



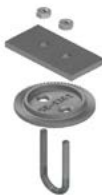
Tether Assembly, Extended Bottom, Alum

SE-3307 - Length - Coating
6=6"
18=18"
28=28"
PNC=Process No Color
P__=Paint



Tether Assembly, Break-Away, 1-1/2" Pipe, Steel

SE-3055 - Coating
ZN1=Zinc1 Plated
P__=Paint



Tether Assembly, Non-Break-Away, Alum

SE-3293 - Coating
PNC=Process No Color
P__=Paint

Note: 1. All assemblies are supplied standard with stainless slotted washer and fasteners, with galvanized hardware on span wire clamps. Stainless upgrade shall include stainless steel hardware and pins.
2. See Reference Section for available paint colors.



Signal Accessories

Pelco supplies various accessories for span wire mounted signs and signals. See Section T14 for additional components.



FREE-SWINGING
pelco PELCO PRODUCTS, INC.

Tether Assembly, 1-1/2" Break-Away, Alum



SE-5121 - -
 Extender Coating
 Blank=No Extender PNC=Process No Color
 11=11" P__=Paint
 19=19"
 72=72"



Note:
Available with or
without Extender Bar.

Tether Assembly, Tri-Stud Break-Away, Alum



SE-5050 - -
 Extender Coating
 Blank=No Extender PNC=Process No Color
 11=11" P__=Paint
 19=19"
 72=72"



Note:
Available with or
without Extender Bar.

Tether Assembly, Single-Stud Break-Away, Alum



SE-5058 - -
 Extender Coating
 Blank=No Extender PNC=Process No Color
 11=11" P__=Paint
 19=19"
 72=72"



Note:
Available with or
without Extender Bar.

Extender Bar, Aluminum



SE-0507 - -
 Length Coating
 11=11" PNC=Process No Color
 19=19" P__=Paint
 72=72"

Note: 1. All assemblies are supplied standard with stainless slotted washer and fasteners, with galvanized hardware on span wire clamps. Stainless upgrade shall include stainless steel hardware and pins.
 2. See Reference Section for available paint colors.



Signal Accessories

Pelco supplies various accessories for span wire mounted signs and signals. See Section T14 for additional components.



Signal Spacer Kit w/ Aluminum Nipple, Alum Lockring, Alum Cast Nipple

SE-3306 - -
 Nipple PNC=Process No Color
 P__=Paint

Signal Spacer Kit w/ Steel Nipple, Brass Lockring, Iron Cast Nipple

SE-3302 - - -
 Nipple LCN=Long Cast Nipple P__=Paint



Signal Spacer Kit w/ Aluminum Nipple, Tri-Stud

SE-5218 - -
 Length Coating
 06=3-1/4" Nipple P__=Paint
 14=11-1/4" Nipple
 22=19-1/4" Nipple
 28=25-1/4" Nipple



SM-0906-ZN2 Opticom Cable Hanger, 1/2" Wire, 7/16"-14 x 3/4"-14 NPT, Iron, Zinc 2



SE-4028-ZN1 CGB 3/4", .55"-.65" Wire Range, Zinc 1

SE-0490-ZN1 CGB, 3/4", .625"-.75" Wire Range, Zinc 1

SE-4216-ZN1 CGB, 1", .55"-.625" Wire Range, Zinc 1

Note: 1. All assemblies are supplied standard with stainless slotted washer and fasteners, with galvanized hardware on span wire clamps. Stainless upgrade shall include stainless steel hardware and pins.
 2. See Reference Section for available paint colors.



Span Wire Hardware Kits



SE-5123-SS **Tri-Stud Hardware Kit w/ Gasket, 5/16"-18
Stainless Slotted Washer & Stainless Hardware**



SE-5122-SS **Tri-Stud Hardware Kit w/o Gasket, 5/16"-18
Stainless Slotted Washer & Stainless Hardware**



SE-5125-SS **Tri-Bolt Hardware Kit w/ Gasket,
5/16"-18 x 1-1/2" Hex Hd Bolts
Stainless Slotted Washer & Stainless Hardware**



SE-5126-SS **Tri-Bolt Hardware Kit w/o Gasket,
5/16"-18 x 1-1/2" Hex Hd Bolts
Stainless Slotted Washer & Stainless Hardware**

Note: 1. All kits are supplied standard with stainless steel slotted washers and fasteners.
2. See Section T14 for additional components available.



Span Wire Hardware Kits



SE-4112-SS

**Signal to Signal Mounting Kit,
5/16"-18 x 2-1/2" Carriage Bolts
Stainless Slotted Washer & Stainless Hardware**



SE-3282-SS

**Plumbizer Hardware Kit,
5/16"-18 x 3-1/2" Carriage Bolts
Stainless Slotted Washer & Stainless Hardware**



SE-4111-SS

**Tri-Bolt Hardware Kit w/ Gasket,
1/4"-20 x 1-1/2" Hex Hd Bolts
Stainless Slotted Washer & Stainless Hardware**



SE-3227-SS

**Lower Assembly Kit,
1/4"-20 x 1-1/2" Carriage Bolts
Stainless Slotted Washer & Stainless Hardware**



SE-5064-SS

**Single-Stud Hardware Kit, 5/16"-18
Stainless Washer & Stainless Hardware**

Note: 1. All kits are supplied standard with stainless steel slotted washers and fasteners.
2. See Section T14 for additional components available.



Aluminum 1-Way Side-of-Pole with Cast Nipples

Pelco's Side-of-Pole assemblies are designed to mount traffic and pedestrian signals on the side of traffic signal poles using an upper and lower arm. Available in aluminum or iron, and 1-1/2" NPS, tri-bolt, or tri-stud, and a vast array of hubs to accommodate both 1-way or 2-way signal configurations.



1-Way Upper & Lower Arm Assy, Alum Nipples, Alum

| | | | | |
|---------|---|----------------------|---|----------------------|
| SE-3036 | - | <input type="text"/> | - | <input type="text"/> |
| | | Nipple Length | | Coating |
| | | 06=6" | | PNC=Process No Color |
| | | 08=8" | | P__=Paint |
| | | 10=10" | | |
| | | 12=12" | | |
| | | 14=14" | | |

Note:
See Components Section T14 for choice of hub plates.



1-Way Upper & Lower Arm Assy, 10" Nipples, Universal Hub Plates, Alum

| | | |
|---------|---|----------------------|
| SE-3215 | - | <input type="text"/> |
| | | Coating |
| | | PNC=Process No Color |
| | | P__=Paint |



1-Way Upper & Lower Arm Assy, 10" Nipples, Large Pole Hub Plates, Alum

| | | |
|---------|---|----------------------|
| SE-3148 | - | <input type="text"/> |
| | | Coating |
| | | PNC=Process No Color |
| | | P__=Paint |

Note: 1. All assemblies are supplied standard with stainless steel fasteners.
2. See Reference Section for available paint colors.

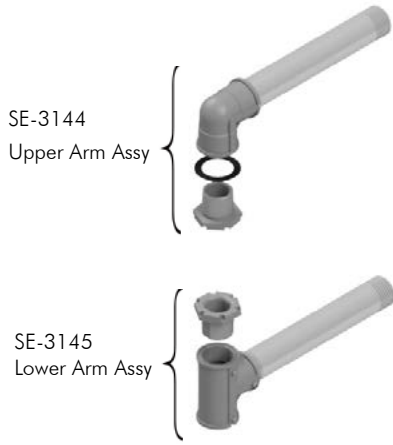


Aluminum 1-Way Side-of-Pole ICC Ped Head with Cast Nipples

Pelco's Side-of-Pole assemblies are designed to mount traffic and pedestrian signals on the side of traffic signal poles using an upper and lower arm. Available in aluminum or iron, and 1-1/2" NPS, tri-bolt, or tri-stud, and a vast array of hubs to accommodate both 1-way or 2-way signal configurations.



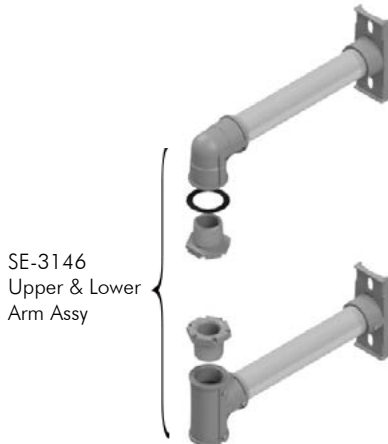
SIDE-OF-POLE



1-Way Upper & Lower ICC Ped Arm Assy, 12" Nipples, Alum

SE-3146 - Coating
 PNC=Process No Color
 P_ =Paint

Note:
 See Components Section T14 for choice of hub plates.



1-Way Upper & Lower ICC Ped Arm Assy, 12" Nipples, Universal Hub Plates, Alum

SE-3214 - Coating
 PNC=Process No Color
 P_ =Paint



1-Way Upper & Lower ICC Ped Arm Assy, 12" Nipples, Large Pole Hub Plates, Alum

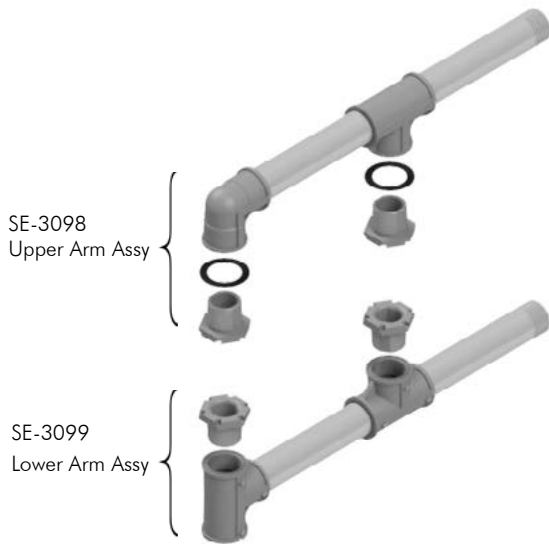
SE-3308 - Coating
 PNC=Process No Color
 P_ =Paint

Note: 1. All assemblies are supplied standard with stainless steel fasteners.
 2. See Reference Section for available paint colors.



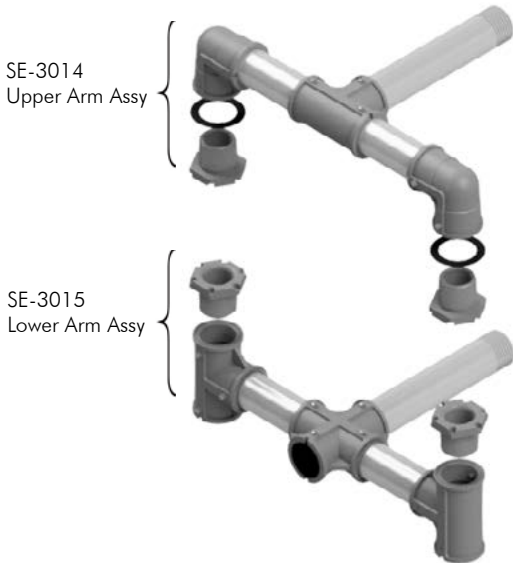
Aluminum 2-Way Side-of-Pole with Cast Nipples

Pelco's Side-of-Pole assemblies are designed to mount traffic and pedestrian signals on the side of traffic signal poles using an upper and lower arm. Available in aluminum or iron, and 1-1/2" NPS, tri-bolt, or tri-stud, and a vast array of hubs to accommodate both 1-way or 2-way signal configurations.



2-Way Upper & Lower Tandem Arm Assy, 10" Nipples, Alum

SE-3100 - Coating
 PNC=Process No Color
 P__=Paint



2-Way Upper & Lower Arm Assy, 16-1/2" CTC, Alum

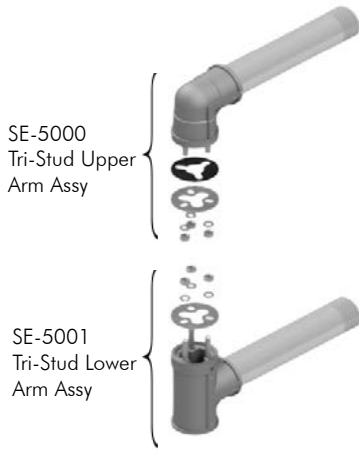
SE-3075 - Coating
 PNC=Process No Color
 P__=Paint

- Note: 1. All assemblies are supplied standard with stainless steel fasteners.
 2. See Components Section T14 for choice of hub plates.
 3. See Reference Section for available paint colors.



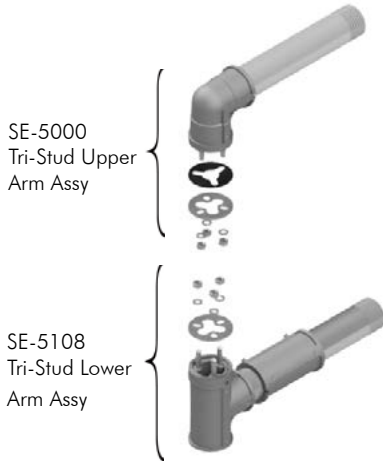
Aluminum 1 & 2-Way Side-of-Pole, Tri-Stud

Pelco's Side-of-Pole assemblies are designed to mount traffic and pedestrian signals on the side of traffic signal poles with an upper and lower arm. Available in aluminum or iron, and 1-1/2" NPS, tri-bolt, or tri-stud, and a vast array of hubs to accommodate both 1-way or 2-way signal configurations.



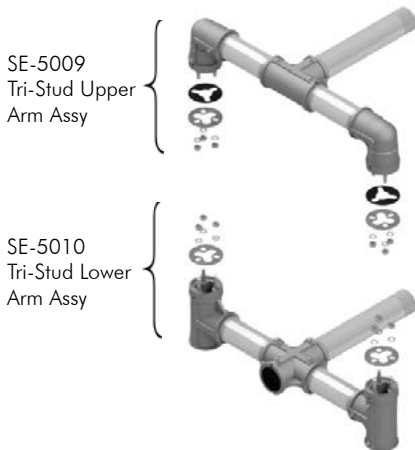
1-Way Upper & Lower Arm Assy, 10" Nipples, Alum

SE-5002 - Coating
 PNC=Process No Color
 P_=_Paint



1-Way Upper & Lower Arm Assy, 10" Nipples w/ Adjustable Lower Arm Alum

SE-5109 - Coating
 PNC=Process No Color
 P_=_Paint



2-Way Upper & Lower Arm Assy, 16-1/2" CTC, Alum

SE-5011 - Coating
 PNC=Process No Color
 P_=_Paint

- Note: 1. All assemblies are supplied standard with stainless steel slotted washer and fasteners.
 2. See Components Section T14 for choice of hub plates.
 3. See Reference Section for available paint colors.



SIDE-OF-POLE

Aluminum Side-of-Pole

Pelco's Side-of-Pole assemblies are designed to mount traffic and pedestrian signals on the side of traffic signal poles with an upper and lower arm. Available in aluminum or iron, and 1-1/2" NPS, tri-bolt, or tri-stud, and a vast array of hubs to accommodate both 1-way or 2-way signal configurations.



| | |
|---|---|
|  | <p>1-Way Hub Assy, 1-1/2" NPS for 4-1/2" OD Pole</p> <p>SE-3093 - <input type="text"/></p> <p>Coating</p> <p>PNC=Process No Color</p> <p>P__=Paint</p> |
|  | <p>1-Way Hub Assy, 1-1/2" NPS, 2-7/8" to 3-1/2" OD Pole</p> <p>SE-3216 - <input type="text"/></p> <p>Coating</p> <p>PNC=Process No Color</p> <p>P__=Paint</p> |
|  | <p>2-Way Hub Assy, 1-1/2" NPS, 4-1/2" OD Pole</p> <p>SE-3094 - <input type="text"/></p> <p>Coating</p> <p>PNC=Process No Color</p> <p>P__=Paint</p> |
|  <p>SE-5123 Hardware Kit</p> | <p>1-Way Tri-Stud for 8" & 12" Signals, 4-1/2" OD Pole</p> <p>SE-0567 - <input type="text"/></p> <p>Coating</p> <p>PNC=Process No Color</p> <p>P__=Paint</p> |
|  <p>SE-4111 Hardware Kit</p> | <p>1-Way Tri-Stud for 8" Signals, 4-1/2" OD Pole</p> <p>SE-5053 - <input type="text"/></p> <p>Coating</p> <p>PNC=Process No Color</p> <p>P__=Paint</p> |
|  <p>SE-4111 Hardware Kit</p> | <p>1-Way Tri-Stud for 8" Signals, 2-7/8" - 3-1/2" OD Pole</p> <p>SE-5054 - <input type="text"/></p> <p>Coating</p> <p>PNC=Process No Color</p> <p>P__=Paint</p> |
|  <p>SE-5123 Hardware Kit</p> | <p>2-Way Tri-Stud for 8" & 12" Signals, 4-1/2" OD Pole</p> <p>SE-5186 - <input type="text"/></p> <p>Coating</p> <p>PNC=Process No Color</p> <p>P__=Paint</p> |

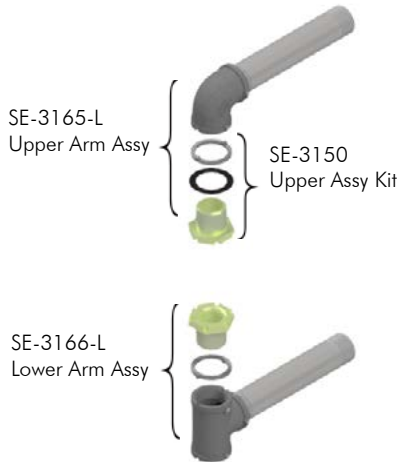
Note: 1. All assemblies are supplied standard with stainless steel slotted washer and fasteners.
 2. See Reference Section for available paint colors.

Iron 1-Way Side-of-Pole with Cast Nipples

Pelco's Side-of-Pole assemblies are designed to mount traffic and pedestrian signals on the side of traffic signal poles with an upper and lower arm. Available in aluminum or iron, and 1-1/2" NPS, tri-bolt, or tri-stud, and a vast array of hubs to accommodate both 1-way or 2-way signal configurations.



1-Way Upper & Lower Arm Assy, Steel Nipples, Iron



SE-3167 - -

Nipple Length Coating

06=6" P__=Paint

08=8"

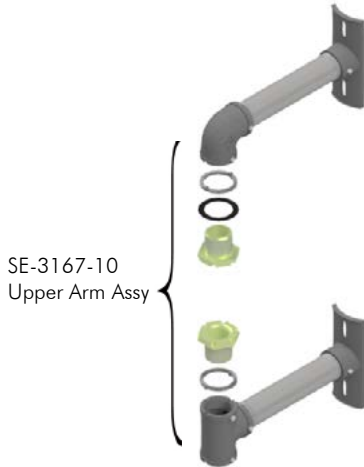
10=10"

12=12"

14=14"

Note:
See Components Section T14 for choice of hub plates.

1-Way Upper & Lower Arm Assy, 10" Steel Nipples & Iron Hub

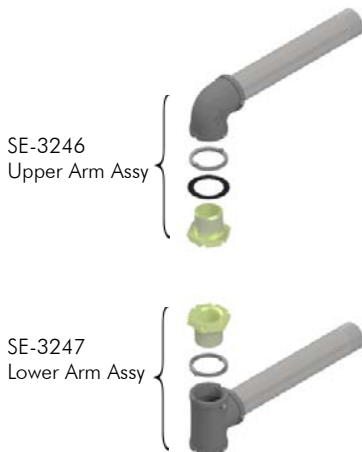


SE-3309 -

Coating

P__=Paint

1-Way Upper & Lower ICC Ped Arm Assy, 12" Steel Nipples, Iron



SE-3248 -

Coating

P__=Paint

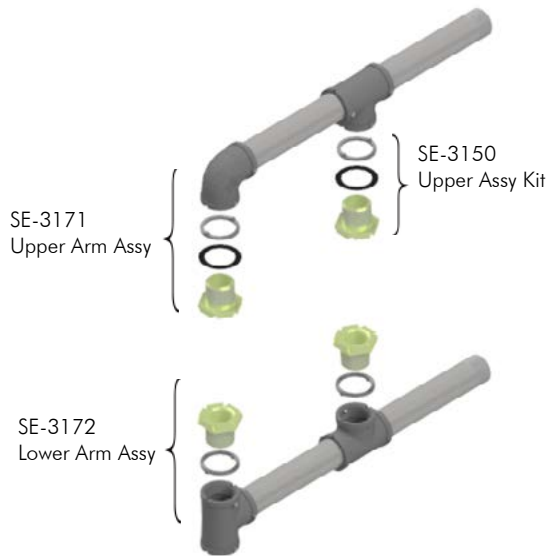
Note:
See Components Section T14 for choice of hub plates.

Note: 1. All assemblies are supplied standard with stainless steel fasteners.
2. See Reference Section for available paint colors.



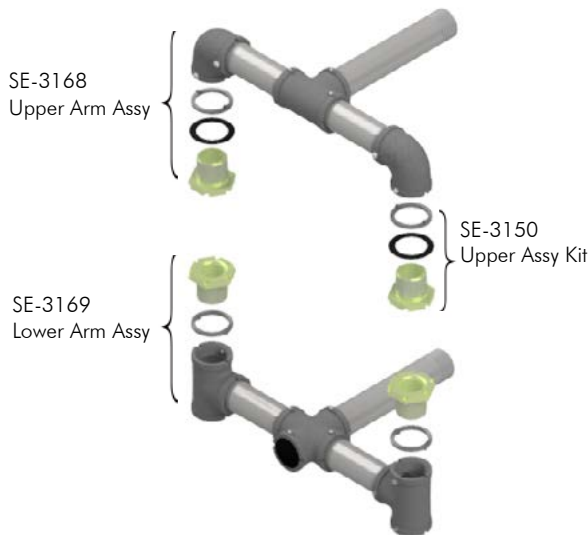
Iron 2-Way Side-of-Pole with Cast Nipples

Pelco's Side-of-Pole assemblies are designed to mount traffic and pedestrian signals on the side of traffic signal poles with an upper and lower arm. Available in aluminum or iron, and 1-1/2" NPS, tri-bolt, or tri-stud, and a vast array of hubs to accommodate both 1-way or 2-way signal configurations.



2-Way Upper & Lower Tandem Arm Assy, 10" Steel Nipples, Iron

SE-3173 - Coating
 PNC=Process No Color
 P__=Paint



2-Way Upper & Lower Arm Assy, 16-1/2" CTC, Steel Nipples, Iron

SE-3170 - Coating
 PNC=Process No Color
 P__=Paint

- Note: 1. All assemblies are supplied standard with stainless steel fasteners.
 2. See Components Section T14 for choice of hub plates.
 3. See Reference Section for available paint colors.



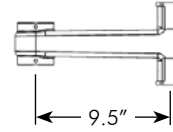
Black Nylon 1-Way Side-of-Pole

Pelco's 1-Way Side-of-Pole, in black nylon, is a corrosion free signal mount that can be bolted or banded to the side of a pole. The assembly includes neoprene gaskets to fill the contour differences between the arms and the pole. If required, the plastic arms and octagonal closure caps can be painted.



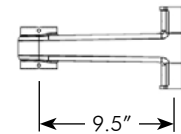
1-Way Upper & Lower Arm Assy, Black Nylon

SE-3291 - Coating
PNC=Process No Color
P__=Paint



Signal Mounting Arm, Black Nylon

SE-3284 - Coating
PNC=Process No Color
P__=Paint

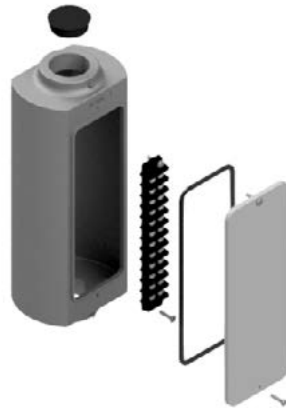


Note: 1. All assemblies are supplied standard with stainless steel fasteners.
2. See Reference Section for available wet paint colors.



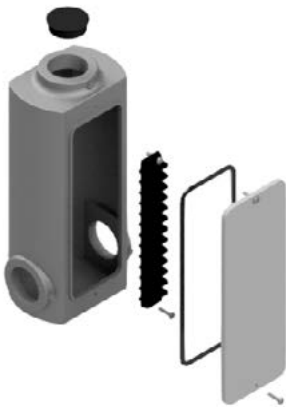
Terminal Compartments Aluminum

Pelco's aluminum Terminal Compartments are available with a flat back or curved to fit onto the side of a pole. In-line and flat back Terminal Compartments are supplied with a 12-circuit terminal strip and an ABS plastic door.



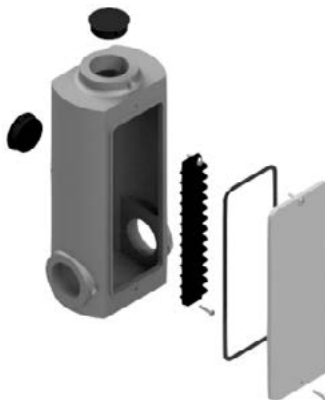
Terminal Compartment Assy, In-Line Flat Back, Top & Bottom Hubs, Alum

SE-3101 - Coating
 PNC=Process No Color
 P__=Paint



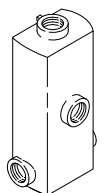
Terminal Compartment Assy, 2-Way Flat Back, Alum

SE-3083 - Coating
 PNC=Process No Color
 P__=Paint



Terminal Compartment Assy, 2-Way Flat Back, Rear Hub, Alum

SE-3084 - Coating
 PNC=Process No Color
 P__=Paint



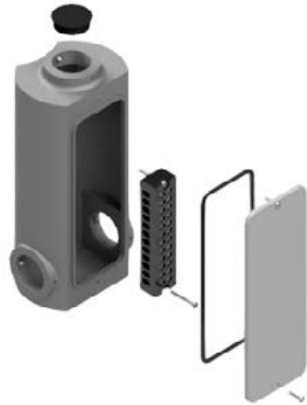
Rear View

Note: 1. All assemblies are supplied standard with stainless steel fasteners.
 2. See Reference Section for available paint colors.



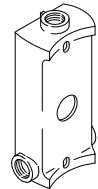
Terminal Compartments Aluminum

Pelco's aluminum Terminal Compartments are available with a flat back or curved to fit onto the side of a pole. Saddleback Terminal Compartments are supplied with a 12-circuit terminal block and an ABS plastic door.

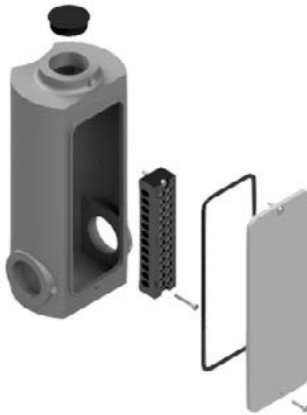


Terminal Compartment Assy, 2-Way Saddleback w/ Cable Entrance, Alum

SE-3081 - Coating
 PNC=Process No Color
 P__=Paint

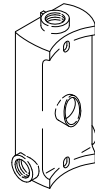


Rear View



Terminal Compartment Assy, 2-Way Saddleback w/ Cable Guide & Mounting Holes, Alum

SE-3078 - Coating
 PNC=Process No Color
 P__=Paint



Rear View

Note: 1. All assemblies are supplied standard with stainless steel fasteners.
 2. See Reference Section for available paint colors.



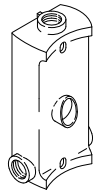
Terminal Compartments Bronze & Iron

Pelco's bronze and iron Terminal Compartments are available with a curved back to fit onto the side of a pole. Saddleback Terminal Compartments are supplied with a 12-circuit terminal block and an ABS plastic door.

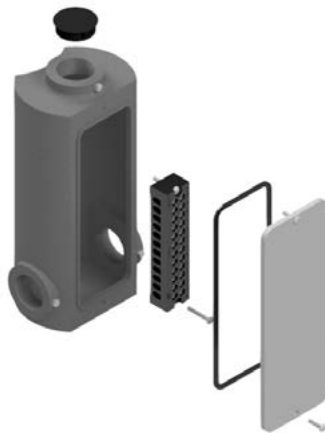


Terminal Compartment Assy, 2-Way Saddleback w/ Cable Guide & Mounting Holes, Bronze

SE-4418 - Coating
 PNC=Process No Color
 P__=Paint

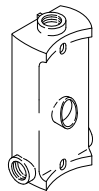


Rear View



Terminal Compartment Assy, 2-Way Saddleback w/ Cable Guide & Mounting Holes, Iron

SE-3330 - Coating
 GLV=Galvanized
 P__=Paint



Rear View

Note: 1. All assemblies are supplied standard with stainless steel fasteners.
 2. See Reference Section for available paint colors.



Aluminum Slip Fitter Assemblies, Cast Nipple

Pelco's Post Top Slip Fitters are available in aluminum, bronze, and iron, 1-1/2" NPS, Tri-Bolt or Tri-Stud. Post Top Terminal Compartments are available in aluminum or bronze and are supplied with a 12-circuit terminal strip or block.



SE-3054
Signal Closure Kit



Slip Fitter Assy, 1-Way for 2-7/8" OD Pole Cast Nipple

SE-3279 - Coating
PNC=Process No Color
P__=Paint



SE-3003
Signal Mounting Kit



Slip Fitter Assy, 1-Way Offset for 4-1/2" OD Pole Cast Nipple

SE-3310 - Coating
PNC=Process No Color
P__=Paint



SE-3003
Signal Mounting Kit



Slip Fitter Assy, 1-Way for 4-1/2" OD Pole Cast Nipple

SE-3311 - Coating
PNC=Process No Color
P__=Paint



SE-3003
Signal Mounting Kit



Slip Fitter Assy, 1-Way w/ 2-Way Side Ports for 4-1/2" OD Pole Cast Nipple

SE-3037 - Coating
PNC=Process No Color
P__=Paint



Note: 1. All assemblies supplied standard with stainless steel fasteners.
2. See Reference Section for available paint colors.



Aluminum Slip Fitter Assemblies

Pelco's Post Top Slip Fitters are available in aluminum, bronze, and iron, 1-1/2" NPS, Tri-Bolt or Tri-Stud. Post Top Terminal Compartments are available in aluminum or bronze and are supplied with a 12-circuit terminal strip or block. Designed to fit a 4-1/2" OD pole.


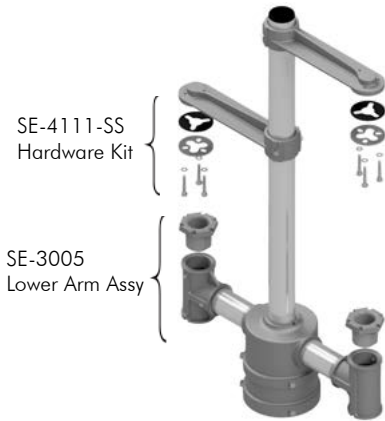


Slip Fitter Assy, 1-Way for 4-1/2" OD Pole Tri-Bolt & Cast Nipple

SE-3012 - -

Signal Section: 1=1 Sec, 2=2 Sec, 3=3 Sec, 4=4 Sec, 5=5 Sec

Coating: PNC=Process No Color, P__=Paint

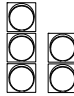
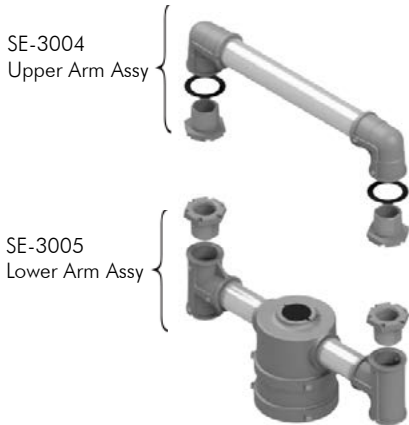



Slip Fitter Assy, 2-Way Variable for 4-1/2" OD Pole Tri-Bolt & Cast Nipple

SE-3116 - -

Signal Section: 1=1 Sec, 2=2 Sec, 3=3 Sec, 4=4 Sec, 5=5 Sec

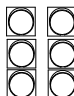
Coating: PNC=Process No Color, P__=Paint

Slip Fitter Assy, 2-Way 16-1/2" CTC for 4-1/2" OD Pole Cast Nipple

SE-3089 -

Coating: PNC=Process No Color, P__=Paint



Note: 1. All assemblies are supplied standard with stainless steel slotted washer and fasteners.
2. See Reference Section for available paint colors.

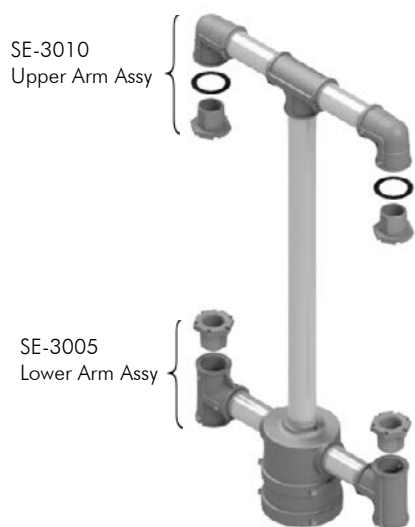


RIGID POST TOP



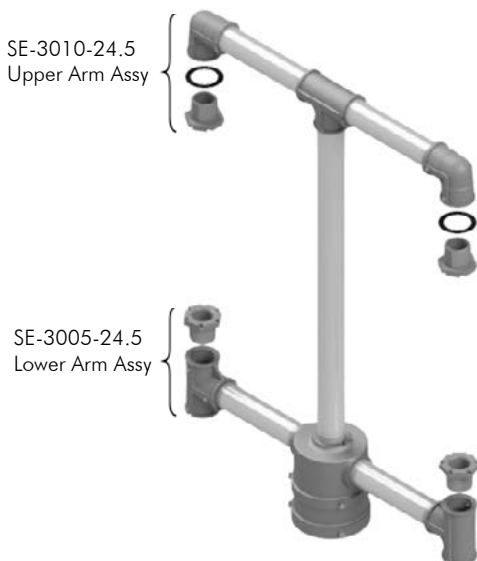
Aluminum Slip Fitter Assemblies, Cast Nipple

Pelco's Post Top Slip Fitters are available in aluminum, bronze, and iron, 1-1/2" NPS, Tri-Bolt or Tri-Stud. Post Top Terminal Compartments are available in aluminum or bronze and are supplied with a 12-circuit terminal strip or block. Designed to fit a 4-1/2" OD pole.



Slip Fitter Assy, 2-Way 16-1/2" CTC for 4-1/2" OD Pole, Cast Nipple

| | | | | |
|---------|---|----------------------|---|----------------------|
| SE-3053 | - | <input type="text"/> | - | <input type="text"/> |
| | | 1=1 Sec | | PNC=Process No Color |
| | | 2=2 Sec | | P__=Paint |
| | | 3=3 Sec | | |
| | | 4=4 Sec | | |
| | | 5=5 Sec | | |



Slip Fitter Assy, 2-Way ICC Ped 24-1/2" CTC for 4-1/2" OD Pole, Cast Nipple

| | | |
|---------|---|----------------------|
| SE-3257 | - | <input type="text"/> |
| | | PNC=Process No Color |
| | | P__=Paint |



Note: 1. All assemblies are supplied standard with stainless steel slotted washer and fasteners.
2. See Reference Section for available paint colors.




Aluminum Slip Fitter Assemblies, Tri-Stud

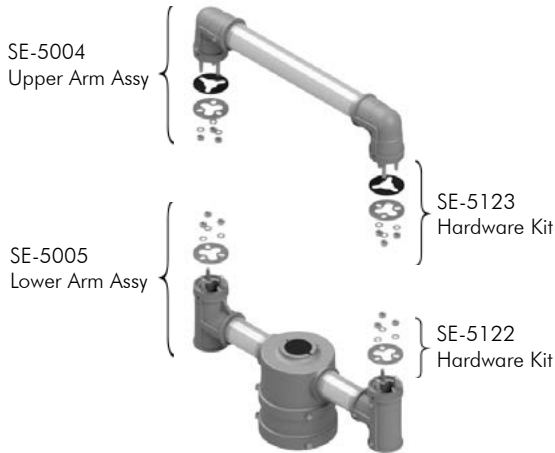
Pelco's Post Top Slip Fitters are available in aluminum, bronze, and iron, 1-1/2" NPS, Tri-Bolt or Tri-Stud. Post Top Terminal Compartments are available in aluminum or bronze and are supplied with a 12-circuit terminal strip or block. Designed to fit a 4-1/2" OD pole.



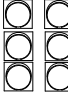
Slip Fitter Assy, 1-Way for 4-1/2" OD Pole Tri-Stud

SE-5016 - 

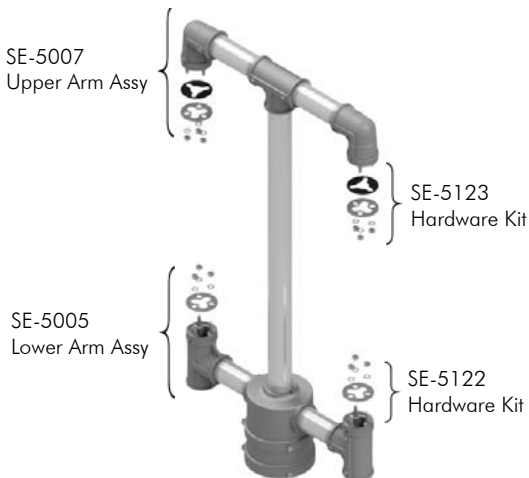
Coating
PNC=Process No Color
P__=Paint



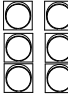
Slip Fitter Assy, 2-Way 16-1/2" CTC for 4-1/2" OD Pole Tri-Stud

SE-5006 - 

Coating
PNC=Process No Color
P__=Paint



Slip Fitter Assy, 2-Way 16-1/2" CTC for 4-1/2" OD Pole Tri-Stud

SE-5008 - - 

Signal Section Coating
1=1 Sec PNC=Process No Color
2=2 Sec P__=Paint
3=3 Sec
4=4 Sec
5=5 Sec

Note: 1. All assemblies are supplied standard with stainless steel slotted washer and fasteners.
2. See Reference Section for available paint colors.



RIGID POST TOP



Iron Slip Fitter Assemblies, Cast Nipple

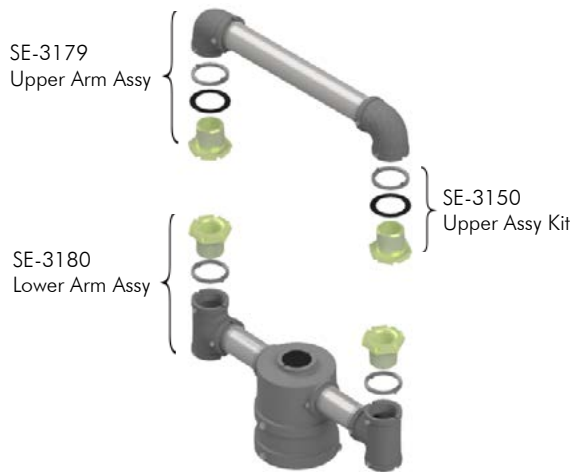
Pelco's Post Top Slip Fitters are available in aluminum, bronze, and iron, 1-1/2" NPS, Tri-Bolt or Tri-Stud. Post Top Terminal Compartments are available in aluminum or bronze and are supplied with a 12-circuit terminal strip or block. Designed to fit a 4-1/2" OD pole.



SE-3174
Signal Mounting Kit

Slip Fitter Assy, 1-Way w/ 2-Way Side Ports for 4-1/2" OD Pole Cast Nipple

SE-3177 - Coating
P__=Paint



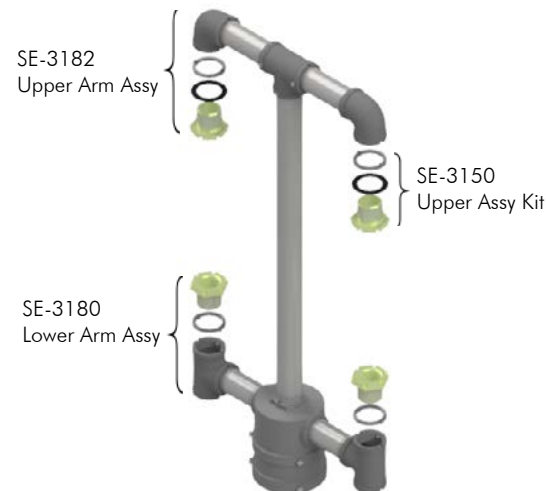
SE-3179
Upper Arm Assy

SE-3180
Lower Arm Assy

SE-3150
Upper Assy Kit

Slip Fitter Assy, 2-Way 16-1/2" CTC for 4-1/2" OD Pole Cast Nipple

SE-3181 - Coating
P__=Paint



SE-3182
Upper Arm Assy

SE-3180
Lower Arm Assy

SE-3150
Upper Assy Kit

Slip Fitter Assy, 2-Way 16-1/2" CTC for 4-1/2" OD Pole Cast Nipple

SE-3183 - Signal Section - Coating
1=1 Sec
2=2 Sec
3=3 Sec
4=4 Sec
5=5 Sec
P__=Paint



Note: 1. All assemblies are supplied standard with stainless steel fasteners.
2. See Reference Section for available paint colors.

This page is intentionally left blank.

Slip Fitters, Alum

Pelco's aluminum Post Top Slip Fitters are available in a one-way, offset one-way, or a two, three, or four-way configuration.



Slip Fitter, 1-Way for 4-1/2" OD Pole, Alum

SE-3106 - Coating
PNC=Process No Color
P__=Paint



Slip Fitter, 1-Way Offset for 4-1/2" OD Pole, Alum

SE-3107 - Coating
PNC=Process No Color
P__=Paint



Slip Fitter, 1 & 2-Way for 4-1/2" OD Pole, Alum

SE-3002 - Coating
PNC=Process No Color
P__=Paint



Slip Fitter, 3 & 4-Way for 4-1/2" OD Pole, Alum

SE-3029 - Coating
PNC=Process No Color
P__=Paint

Note: 1. All assemblies are supplied standard with stainless steel fasteners.
2. See Reference Section for available paint colors.



Slip Fitters, Iron

Pelco's iron Post Top Slip Fitters are available in a one, two, three, or four-way configuration.



Slip Fitter, 1-Way for 4-1/2" OD Pole, Iron Serrated Top Port

SE-4431 - Coating
PNC=Process No Color
P__=Paint



Slip Fitter, 1 & 2-Way for 4-1/2" OD Pole, Iron

SE-3175 - Coating
P__=Paint



Slip Fitter, 3 & 4-Way for 4-1/2" OD Pole, Iron

SE-3176 - Coating
P__=Paint

RIGID POST TOP



Note: 1. All assemblies are supplied standard with stainless steel fasteners.
2. See Reference Section for available paint colors.



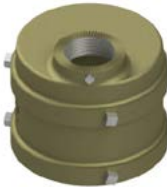
Slip Fitters, Bronze

Bronze Post Top Slip Fitters are available in a one-way, offset one-way, or a two-way configuration. Pelco's bronze slip fitters are cast with top port serrations which eliminates the need for a locking.



Slip Fitter, 1-Way for 4-1/2" OD Pole, Bronze Serrated Top Port

SE-4424 - Coating
PNC=Process No Color
P__=Paint



Slip Fitter, 1-Way Offset for 4-1/2" OD Pole, Bronze Serrated Top Port

SE-4425 - Coating
PNC=Process No Color
P__=Paint



Slip Fitter, 1 & 2-Way for 4-1/2" OD Pole, Bronze Serrated Top Port

SE-4423 - Coating
PNC=Process No Color
P__=Paint

Note: 1. All assemblies are supplied standard with stainless steel fasteners.
2. See Reference Section for available paint colors.



Aluminum Terminal Compartment Assemblies

Pelco's Post Top Slip Fitters are available in aluminum, bronze, and iron, 1-1/2" NPS, Tri-Bolt or Tri-Stud. Post Top Terminal Compartments are available in aluminum or bronze and are supplied with a 12-circuit terminal strip or block. Designed to fit a 4-1/2" OD pole.



SE-3027 → Terminal Compartment

Terminal Compartment Assy, 1-Way, Alum for 4-1/2" OD Pole Cast Nipple

| | | | |
|-----------|----------------------|---|----------------------|
| SE-3270 - | <input type="text"/> | - | <input type="text"/> |
| | Signal Section | | Coating |
| | 1=1 Sec | | PNC=Process No Color |
| | 2=2 Sec | | P__=Paint |
| | 3=3 Sec | | |
| | 4=4 Sec | | |
| | 5=5 Sec | | |



SE-3027 → Terminal Compartment

Terminal Compartment Assy, 1-Way ICC Ped, Alum for 4-1/2" OD Pole Cast Nipple

| | |
|-----------|----------------------|
| SE-3271 - | <input type="text"/> |
| | Coating |
| | PNC=Process No Color |
| | P__=Paint |



SE-3027 → Terminal Compartment

SE-4111 Hardware Kit

Terminal Compartment Assy, 1-Way, Alum for 4-1/2" OD Pole Tri-Bolt & Cast Nipple

| | | | |
|-----------|----------------------|---|----------------------|
| SE-3013 - | <input type="text"/> | - | <input type="text"/> |
| | Signal Section | | Coating |
| | 1=1 Sec | | PNC=Process No Color |
| | 2=2 Sec | | P__=Paint |
| | 3=3 Sec | | |
| | 4=4 Sec | | |
| | 5=5 Sec | | |



Note: 1. All assemblies are supplied standard with stainless steel slotted washer and fasteners.
2. See Reference Section for available paint colors.

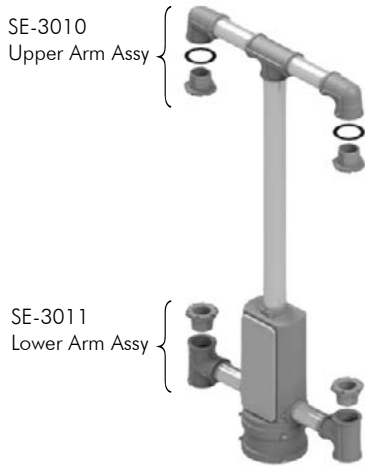


RIGID POST TOP



Aluminum Terminal Compartment Assemblies

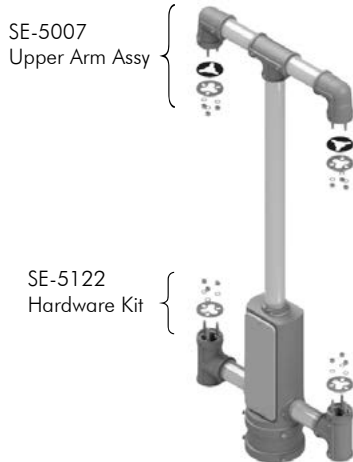
Pelco's Post Top Slip Fitters are available in aluminum, bronze, and iron, 1-1/2" NPS, Tri-Bolt or Tri-Stud. Post Top Terminal Compartments are available in aluminum or bronze and are supplied with a 12-circuit terminal strip or block. Designed to fit a 4-1/2" OD pole.



Terminal Compartment Assy, 2-Way, Alum 16-1/2" CTC for 4-1/2" OD Pole Cast Nipple

SE-3048 - -

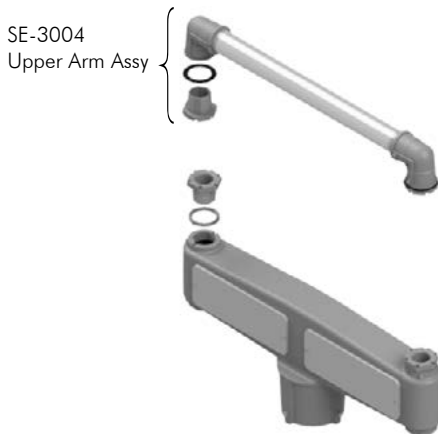
| | |
|----------------|----------------------|
| Signal Section | Coating |
| 1=1 Sec | PNC=Process No Color |
| 2=2 Sec | P__=Paint |
| 3=3 Sec | |
| 4=4 Sec | |
| 5=5 Sec | |



Terminal Compartment Assy, 2-Way, Alum 16-1/2" CTC for 4-1/2" OD Pole Tri-Stud

SE-5187 - -

| | |
|----------------|----------------------|
| Signal Section | Coating |
| 1=1 Sec | PNC=Process No Color |
| 2=2 Sec | P__=Paint |
| 3=3 Sec | |
| 4=4 Sec | |
| 5=5 Sec | |



Terminal Compartment Assy, 2-Way, Alum 24" CTC for 4-1/2" OD Pole Cast Nipple

SE-3141 -

| |
|----------------------|
| Coating |
| PNC=Process No Color |
| P__=Paint |



Note: 1. All assemblies are supplied standard with stainless steel slotted washer and fasteners.
2. See Reference Section for available paint colors.



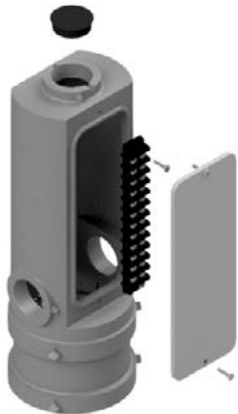
Terminal Compartments Aluminum

Pelco's aluminum Post Top Terminal Compartments are available in a 2-way or 3-way configuration. Each are supplied standard with a 12-circuit terminal strip and an ABS plastic door.



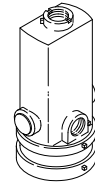
Terminal Compartment Assy, Vertical 2-Way Post Top for 4-1/2" OD Pole, Alum

SE-3027 - Coating
 PNC=Process No Color
 P__=Paint



Terminal Compartment Assy, Vertical 3-Way Post Top for 4-1/2" OD Pole, Alum

SE-3074 - Coating
 PNC=Process No Color
 P__=Paint



Rear Port

Note: 1. All assemblies are supplied standard with stainless steel fasteners.
 2. See Reference Section for available paint colors.



Terminal Compartments Aluminum

Pelco's 2-way Horizontal Terminal Compartments are cast aluminum supplied with ABS plastic doors. Each can be configured with either a top port or a rear port and are supplied with one or two 12-circuit terminal strips.



Terminal Compartment Assy, Horizontal 2-Way Post Top for 4-1/2" OD Pole, Alum

| | | | | | | | | | | | | |
|------------------------|---|----------------|---|--------------|---|----------------|-----------------------|------------------------|--|---------|----------------------|-----------|
| SE-3143 | - <table border="1" style="display: inline-table; width: 30px; height: 15px;"><tr><td> </td></tr></table> | | - <table border="1" style="display: inline-table; width: 30px; height: 15px;"><tr><td> </td></tr></table> | | - <table border="1" style="display: inline-table; width: 30px; height: 15px;"><tr><td> </td></tr></table> | | | | | | | |
| | | | | | | | | | | | | |
| | | | | | | | | | | | | |
| | | | | | | | | | | | | |
| | <table border="0"> <tr><td>Port Mountings</td></tr> <tr><td>TP=Top Port</td></tr> <tr><td>RP=Rear Port</td></tr> </table> | Port Mountings | TP=Top Port | RP=Rear Port | <table border="0"> <tr><td>Terminal Strip</td></tr> <tr><td>1T=Terminal Strip (1)</td></tr> <tr><td>2T=Terminal Strips (2)</td></tr> </table> | Terminal Strip | 1T=Terminal Strip (1) | 2T=Terminal Strips (2) | <table border="0"> <tr><td>Coating</td></tr> <tr><td>PNC=Process No Color</td></tr> <tr><td>P__=Paint</td></tr> </table> | Coating | PNC=Process No Color | P__=Paint |
| Port Mountings | | | | | | | | | | | | |
| TP=Top Port | | | | | | | | | | | | |
| RP=Rear Port | | | | | | | | | | | | |
| Terminal Strip | | | | | | | | | | | | |
| 1T=Terminal Strip (1) | | | | | | | | | | | | |
| 2T=Terminal Strips (2) | | | | | | | | | | | | |
| Coating | | | | | | | | | | | | |
| PNC=Process No Color | | | | | | | | | | | | |
| P__=Paint | | | | | | | | | | | | |



Terminal Compartment Assy, Horizontal 2-Way Post Top for 4-1/2" OD Pole, Alum Cast Nipples

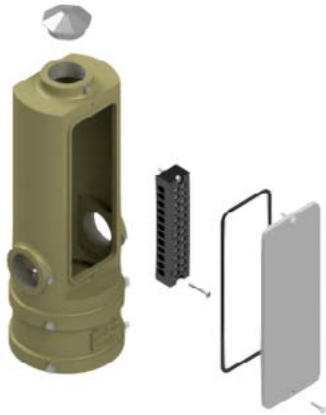
| | | | | | | | | | | | | |
|------------------------|---|----------------|---|--------------|---|----------------|-----------------------|------------------------|--|---------|----------------------|-----------|
| SE-3135 | - <table border="1" style="display: inline-table; width: 30px; height: 15px;"><tr><td> </td></tr></table> | | - <table border="1" style="display: inline-table; width: 30px; height: 15px;"><tr><td> </td></tr></table> | | - <table border="1" style="display: inline-table; width: 30px; height: 15px;"><tr><td> </td></tr></table> | | | | | | | |
| | | | | | | | | | | | | |
| | | | | | | | | | | | | |
| | | | | | | | | | | | | |
| | <table border="0"> <tr><td>Port Mountings</td></tr> <tr><td>TP=Top Port</td></tr> <tr><td>RP=Rear Port</td></tr> </table> | Port Mountings | TP=Top Port | RP=Rear Port | <table border="0"> <tr><td>Terminal Strip</td></tr> <tr><td>1T=Terminal Strip (1)</td></tr> <tr><td>2T=Terminal Strips (2)</td></tr> </table> | Terminal Strip | 1T=Terminal Strip (1) | 2T=Terminal Strips (2) | <table border="0"> <tr><td>Coating</td></tr> <tr><td>PNC=Process No Color</td></tr> <tr><td>P__=Paint</td></tr> </table> | Coating | PNC=Process No Color | P__=Paint |
| Port Mountings | | | | | | | | | | | | |
| TP=Top Port | | | | | | | | | | | | |
| RP=Rear Port | | | | | | | | | | | | |
| Terminal Strip | | | | | | | | | | | | |
| 1T=Terminal Strip (1) | | | | | | | | | | | | |
| 2T=Terminal Strips (2) | | | | | | | | | | | | |
| Coating | | | | | | | | | | | | |
| PNC=Process No Color | | | | | | | | | | | | |
| P__=Paint | | | | | | | | | | | | |

Note: 1. All assemblies are supplied standard with stainless steel fasteners.
2. See Reference Section for available paint colors.



Terminal Compartments Bronze & Iron

Pelco's bronze and iron Post Top Terminal Compartments are available in a 2-way configuration. Each are supplied standard with a 12-circuit terminal block and an ABS plastic door.



Terminal Compartment Assy, Vertical 2-Way Post Top for 4-1/2" OD Pole, Bronze

SE-4422 - Coating
 PNC=Process No Color
 P__=Paint



Terminal Compartment Assy, Vertical 2-Way Post Top for 4-1/2" OD Pole, Iron

SE-3331 - Coating
 GLV=Galvanized
 P__=Paint

Note: 1. All assemblies are supplied standard with stainless steel fasteners.
 2. See Reference Section for available wet paint colors.



Slip Fitter Assemblies Black Nylon

Pelco's Nylon Slip Fitters are available in 1-way through 4-way configurations. The arms have both upper and lower serrations to lock securely onto the signal without the use of a locking ring.



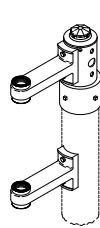
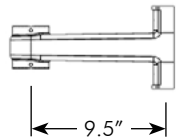
RIGID POST TOP

Multi-Fitter Assembly w/ Signal Arm & Cap, for 4-1/2" OD Pole Black Nylon

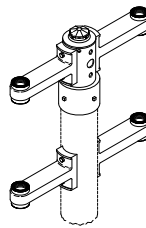


SE-3285 -

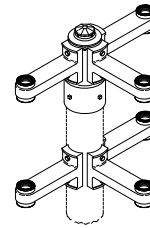
| | | |
|--------------|---|----------------------|
| Arm Assembly | - | Coating |
| 1=1-Way | - | PNC=Process No Color |
| 2=2-Way | - | P__=Paint |
| 3=3-Way | - | |
| 4=4-Way | - | |



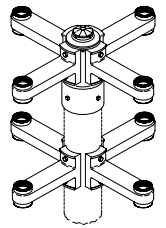
1-Way Option



2-Way Option



3-Way Option



4-Way Option

Note: 1. All assemblies are supplied standard with stainless steel fasteners.
2. See Reference Section for available wet paint colors.



Plumbizers Aluminum

Pelco's aluminum Plumbizers, available in both straight and offset configurations, are designed to mount traffic signal assemblies to the end of a mast arm. Provided with hardware for mounting onto a 2-3/8" diameter tenon.



Straight Plumbizer Assy, Alum w/ Hardware

SE-0352 - Coating
PNC=Process No Color
P__=Paint



Offset Plumbizer Assy, Alum w/ Hardware

SE-0353 - Coating
PNC=Process No Color
P__=Paint



Offset Plumbizer Assy, Alum Large Hole w/ Hardware

SE-4018 - Coating
PNC=Process No Color
P__=Paint

Note: 1. All assemblies are supplied standard with stainless steel fasteners.
2. See Reference Section for available paint colors.



Plumbizers Bronze & Iron

Pelco's bronze and iron offset Plumbizers are designed to mount traffic signal assemblies on the end of a mast arm. Provided with hardware for mounting onto a 2-3/8" diameter tenon.



Offset Plumbizer Assy, Bronze w/ Hardware

SE-4413 - Coating
PNC=Process No Color
P__=Paint



Offset Plumbizer Assy, Bronze Large Hole w/ Hardware

SE-4243 - Coating
PNC=Process No Color
P__=Paint



Offset Plumbizer Assy, Iron Large Hole w/ Hardware

SE-4435 - Coating
PNC=Process No Color
P__=Paint

TENON MOUNT



Note: 1. All assemblies are supplied standard with stainless steel slotted washers and fasteners, with galvanized hardware on outlet body. Stainless upgrade shall include stainless steel hardware and pins.
3. See Reference Section for available paint colors.



Mast Arm Hangers Aluminum

Pelco's aluminum Mast Arm Hangers are designed to mount traffic signal assemblies on the end of a mast arm. Available in both 1-1/2" and tri-stud. Provided with hardware for mounting to a 2-3/8" diameter tenon.



Rigid Mast Arm Hanger, Alum 1-1/2" NPS w/ Hardware

SE-0350 - -

Double Set Screws Coating
 Blank=None PNC=Process No Color
 DS=Double P__=Paint
 Set Screws



SE-3042
Hardware Kit

Rigid Mast Arm Hanger, Alum Cast Nipple

SE-3056 -

Coating
 PNC=Process No Color
 P__=Paint



SE-5123
Hardware Kit

Rigid Mast Arm Hanger, Alum Tri-Stud

SE-3119 -

Coating
 PNC=Process No Color
 P__=Paint

Note: 1. All assemblies are supplied standard with stainless steel fasteners.
 2. See Reference Section for available paint colors.



Mast Arm Hangers Aluminum

Pelco's aluminum Mast Arm Hanger are for mounting traffic signal assemblies on the end of a mast arm. Free-swinging styles are available with a cast nipple or all thread. Provided with hardware for mounting to a 2-3/8" diameter tenon.



Free-Swinging Mast Arm Hanger, Alum 1-1/2" NPS w/ Hardware

SE-3103 - - -

Insulator Bushing Stainless Bushing Coating
Blank=None Blank=None PNC=Process No Color
IB=Insulator Bushing SB=Stainless P__=Paint



Free-Swinging Mast Arm Hanger Assy, Alum w/ Outlet Body & Cast Nipple

SE-3201 - - -

Stainless Bushing Stainless Upgrade Coating
Blank=None Blank=None PNC=Process No Color
SB=Stainless Bushing SB=Stainless P__=Paint



Free-Swinging Mast Arm Hanger Assy, Alum w/ Outlet Body & All Thread Nipple

SE-3314 - - -

Stainless Bushing Stainless Upgrade Coating
Blank=None Blank=None PNC=Process No Color
SB=Stainless Bushing SB=Stainless P__=Paint

Note: 1. All assemblies are supplied standard with stainless steel slotted washers and fasteners, with galvanized hardware on outlet body. Stainless upgrade shall include stainless steel hardware and pins.
3. See Reference Section for available paint colors.



Mast Arm Hangers Bronze

Pelco's bronze Mast Arm Hanger, for mounting traffic signal assemblies on the end of a mast arm, is designed with serrations for locking onto the top of a signal. Provided with hardware for mounting to a 2-3/8" diameter tenon.



Ell Assy, Rigid Tenon Mount, Bronze 1-1/2" NPS w/ Hardware

SE-4412 - Coating
 PNC=Process No Color
 P__=Paint

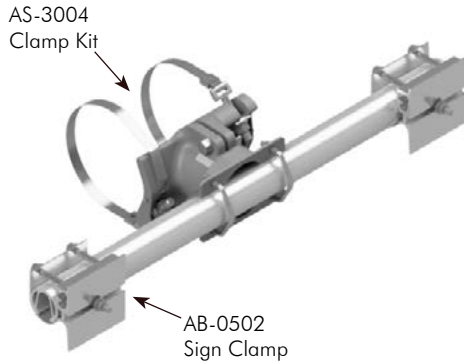
Note: 1. All assemblies are supplied standard with stainless steel fasteners.
 2. See Reference Section for available paint colors.



Astro Sign-Brac Overhead Street Name Signs Band and Tenon Mount



Pelco manufactures a variety of sign brackets in rigid and free-swinging mounts for both flat and internally illuminated signs. Most sign-bracs are available with a cable, band, or tenon mount clamp kit.



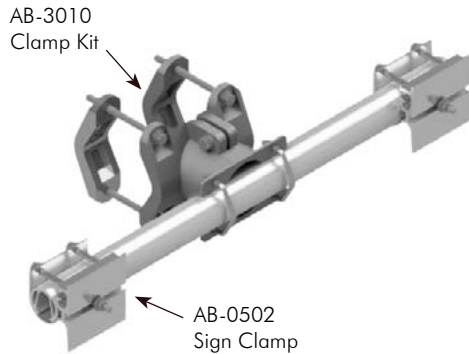
Astro Sign-Brac, Stellar Band Mount for Overhead Street Name Signs

AS-0128 - - - -

CTC Band Length Clamp Screw Coating

*See Chart See Note Blank=Galv PNC=Process No Color
SS=Stainless P__=Paint

Note:
Band Length: 29", 36", 42", 48", 56", 72", 84", 96", or 114".



Astro Sign-Brac, Stellar Tenon Mount for Overhead Street Name Signs

AS-0662 - -

CTC Coating

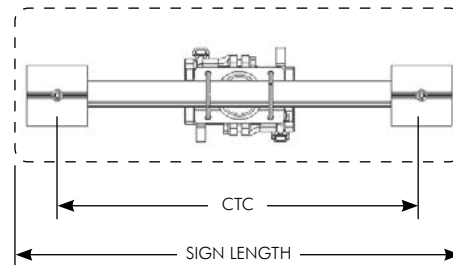
*See Chart PNC=Process No Color
P__=Paint

Note:
Fits 1.9" to 4.5" diameter.

| 2 Sign Clamps | | | | |
|---------------|-----|-----|-----|-----|
| Sign: | 18" | 24" | 30" | 36" |
| Max CTC: | 12" | 18" | 24" | 30" |

| 4 Sign Clamps | | | | | | | | | | |
|---------------|-----|-----|-----|-----|-----|-----|-----|-----|-----|-----|
| Sign: | 42" | 48" | 54" | 60" | 66" | 72" | 78" | 84" | 90" | 96" |
| Max CTC: | 36" | 42" | 48" | 54" | 60" | 66" | 72" | 78" | 84" | 90" |

| 6 Sign Clamps | | | |
|---------------|------|------|------|
| Sign: | 102" | 108" | 114" |
| Max CTC: | 96" | 102" | 108" |



Notes:

130 mph wind zone maximum: 16 sq-ft
150 mph wind zone maximum: 12 sq-ft

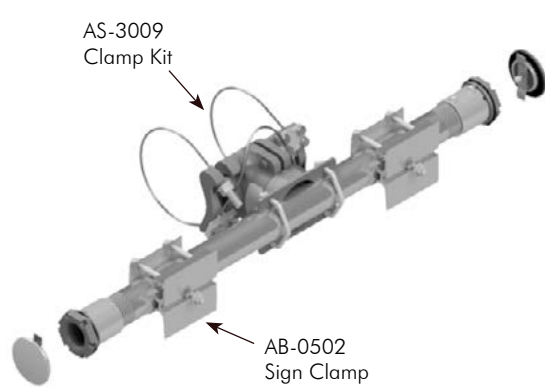
1. Capacities listed are only for applications with the clamp kit mounted in the center of the sign.
2. Signs must be properly engineered for specific application.
3. Tube length is 4" longer than maximum CTC.

- Note: 1. All assemblies are supplied standard with stainless fasteners. Stainless upgrade shall include stainless steel clamp screws.
2. See Reference Section for clamp kit pole diameters.
3. See Reference Section for available paint colors.



Astro Sign-Brac Overhead Street Name Signs w/ Signal Mount

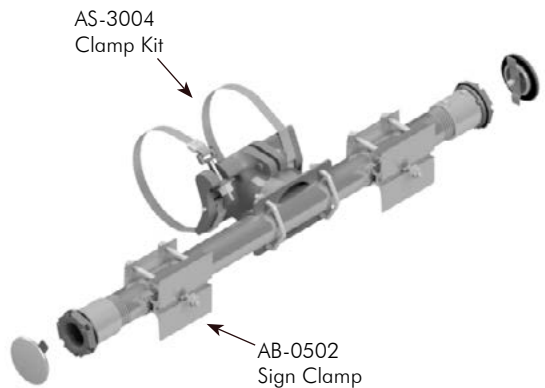
Pelco manufactures a variety of sign brackets in rigid and free-swinging mounts for both flat and internally illuminated signs. Most sign-bracs are available with a cable, band, or tenon mount clamp kit.



Astro-Brac Assy, Stellar Cable Mount for Sign w/ Signals

| | | | | | | | | |
|---------|---|----------------------|---|----------------------|---|----------------------------|---|-----------------------------------|
| AS-0196 | - | CTC | - | Cable Length | - | Cable | - | Coating |
| | | <input type="text"/> | | <input type="text"/> | | <input type="text"/> | | <input type="text"/> |
| | | *See Chart | | See Note | | Blank=Galv SS=Stainless | | PNC=Process No Color P__=Paint |

Note:
Cable Length: 62", 84", 96", 110", 120", 132", 144", 220", or 280".

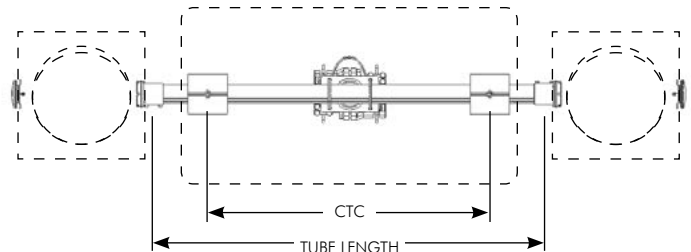


Astro-Brac Assy, Stellar Band Mount for Sign w/ Signals

| | | | | | | | | |
|---------|---|----------------------|---|----------------------|---|----------------------------|---|-----------------------------------|
| AS-0195 | - | CTC | - | Band Length | - | Clamp Screw | - | Coating |
| | | <input type="text"/> | | <input type="text"/> | | <input type="text"/> | | <input type="text"/> |
| | | *See Chart | | See Note | | Blank=Galv SS=Stainless | | PNC=Process No Color P__=Paint |

Note:
Band Length: 29", 36", 42", 48", 56", 72", 84", 96", or 114".

| | | | | | | | |
|--------------|-----|-----|-----|-----|-----|-----|-----|
| Max CTC: | 24" | 30" | 36" | 42" | 48" | 54" | 60" |
| Tube Length: | 46" | 52" | 58" | 64" | 70" | 76" | 82" |



Notes:

130 mph wind zone maximum: 16 sq-ft
150 mph wind zone maximum: 12 sq-ft

1. Capacities listed are only for applications with the clamp kit mounted in the center of the sign.
2. Signs must be properly engineered for specific application.
3. Tube length is 4" longer than maximum CTC.

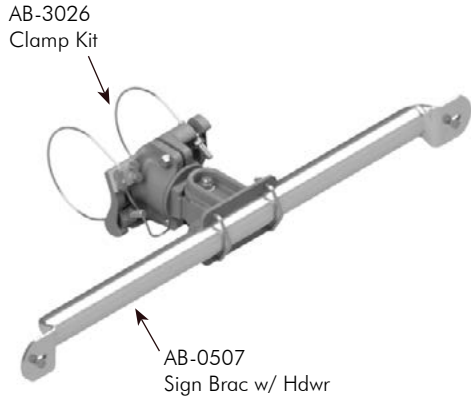
Note: 1. All assemblies are supplied standard with stainless fasteners. Stainless upgrade shall include stainless steel clamp screws or cable.
2. See Reference Section for clamp kit pole diameters.
3. See Reference Section for available paint colors.



This page is intentionally left blank.

Astro Sign-Brac Formed Tubes Atlas Articulated Mounts

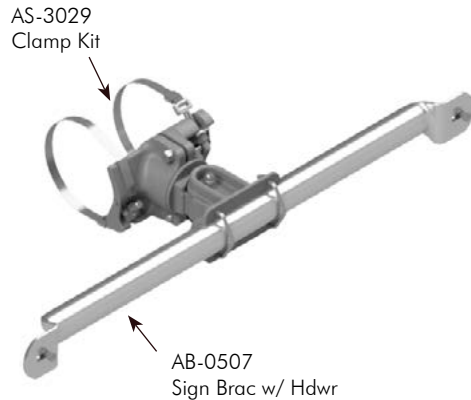
Pelco manufactures a variety of sign brackets in rigid and free-swinging mounts for both flat and internally illuminated signs. Most sign-bracs are available with a cable, band, or tenon mount clamp kit.



Astro Sign-Brac, Atlas Articulating Cable Mount, Formed Tube

| | | | | | | | | |
|---------|---|--------------------------|---|---------------------------------|---|--|---|---|
| AS-0136 | - | CTC [] *See Chart | - | Cable Length [] See Note | - | Cable [] Blank=Galv SS=Stainless | - | Coating [] PNC=Process No Color P__=Paint |
|---------|---|--------------------------|---|---------------------------------|---|--|---|---|

Note:
Cable Length: 62", 84", 96", 110", 120", 132", 144", 220", or 280".

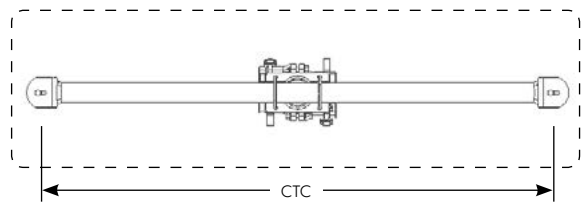


Astro Sign-Brac, Atlas Articulating Band Mount, Formed Tube

| | | | | | | | | |
|---------|---|--------------------------|---|--------------------------------|---|--|---|---|
| AS-0135 | - | CTC [] *See Chart | - | Band Length [] See Note | - | Clamp Screw [] Blank=Galv SS=Stainless | - | Coating [] PNC=Process No Color P__=Paint |
|---------|---|--------------------------|---|--------------------------------|---|--|---|---|

Note:
Band Length: 29", 36", 42", 48", 56", 72", 84", 96", or 114".

| | | | | | | | | | | |
|--------------|-----|-----|-----|-----|-----|-----|-----|-----|-----|-----|
| Max CTC: | 9" | 12" | 15" | 18" | 24" | 30" | 36" | 42" | 48" | 60" |
| Sign Length: | 15" | 18" | 21" | 24" | 30" | 36" | 42" | 48" | 54" | 66" |



Notes:

90 mph wind zone maximum: 16 sq-ft

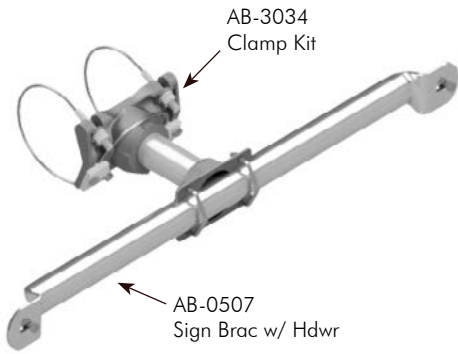
1. Capacity listed is only for applications with the clamp kit mounted in the center of the sign.
2. For higher wind zones and multiple brackets use assemblies shown on T6-1 & T6-2.
3. Signs must be properly engineered for specific application.

Note: 1. All assemblies are supplied standard with stainless fasteners. Stainless upgrade shall include stainless steel clamp screws or cable.
2. See Reference Section for clamp kit pole diameters.
3. See Reference Section for available paint colors.



Astro Sign-Brac Formed Tubes Vertical Extension Mounts

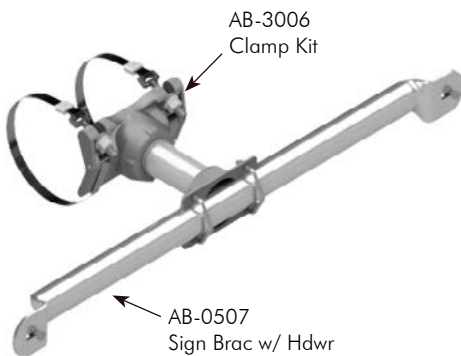
Pelco manufactures a variety of sign brackets in rigid and free-swinging mounts for both flat and internally illuminated signs. Most sign-bracs are available with a cable, band, or tenon mount clamp kit.



Astro Sign-Brac, Vertical Extension Cable Mount, Formed Tube

| | | | | | |
|---------|---|------------------------|------------------------|----------------------------|-----------------------------------|
| | Nipple Length | CTC | Cable Length | Cable | Coating |
| AB-0189 | - <input type="text"/> | - <input type="text"/> | - <input type="text"/> | - <input type="text"/> | - <input type="text"/> |
| | 5=5" Nipple 6=6" Nipple 8=8" Nipple | *See Chart | See Note | Blank=Galv SS=Stainless | PNC=Process No Color P__=Paint |

Note:
Cable Length: 62", 84", 96", 110", 120", 132", 144", 220", or 280".

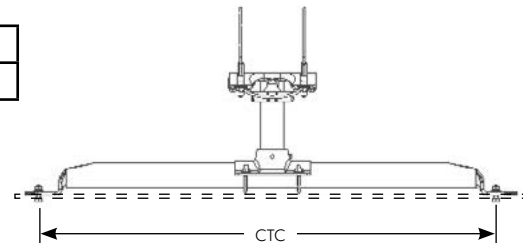


Astro Sign-Brac, Vertical Extension Band Mount, Formed Tube

| | | | | | |
|---------|---|------------------------|------------------------|----------------------------|-----------------------------------|
| | Nipple Length | CTC | Band Length | Clamp Screw | Coating |
| AB-0134 | - <input type="text"/> | - <input type="text"/> | - <input type="text"/> | - <input type="text"/> | - <input type="text"/> |
| | 5=5" Nipple 6=6" Nipple 8=8" Nipple | *See Chart | See Note | Blank=Galv SS=Stainless | PNC=Process No Color P__=Paint |

Note:
Band Length: 29", 36", 42", 48", 56", 72", 84", 96", or 114".

| | | | | | | | | | | |
|--------------|-----|-----|-----|-----|-----|-----|-----|-----|-----|-----|
| Max CTC: | 9" | 12" | 15" | 18" | 24" | 30" | 36" | 42" | 48" | 60" |
| Sign Length: | 15" | 18" | 21" | 24" | 30" | 36" | 42" | 48" | 54" | 66" |



Notes:

90 mph wind zone maximum: 16 sq-ft

1. Capacity listed is only for applications with the clamp kit mounted in the center of the sign.
2. For higher wind zones and multiple brackets use assemblies shown on T6-1 & T6-2.
3. Signs must be properly engineered for specific application.

Note: 1. All assemblies are supplied standard with stainless fasteners. Stainless upgrade shall include stainless steel clamp screws or cable.
2. See Reference Section for clamp kit pole diameters.
3. See Reference Section for available paint colors.



Astro Sign-Brac Electrical Type Stellar Series

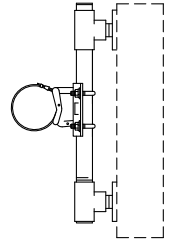
Pelco manufactures a variety of sign brackets in rigid and free-swinging mounts for both flat and internally illuminated signs. Most sign-bracs are available with a cable, band, or tenon mount clamp kit.



Astro Sign-Brac, Stellar Cable Mount, Back Attachment for Internally Illuminated Signs



| | | | | |
|---------|---|------------------------|----------------------------|-----------------------------------|
| | Tube Length | Cable Length | Cable | Coating |
| AS-0650 | - <input type="text"/> | - <input type="text"/> | - <input type="text"/> | - <input type="text"/> |
| | 23=23" Tube 37=37" Tube 46=46" Tube 58=58" Tube 74=74" Tube | See Note | Blank=Galv SS=Stainless | PNC=Process No Color P__=Paint |

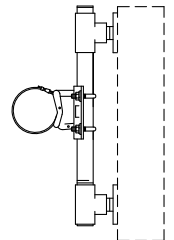


Note:
Cable Length: 62", 84", 96", 110", 120", 132", 144", 220", or 280".

Astro Sign-Brac, Stellar Band Mount, Back Attachment for Internally Illuminated Signs



| | | | | |
|---------|---|------------------------|----------------------------|-----------------------------------|
| | Tube Length | Band Length | Clamp Screw | Coating |
| AS-0104 | - <input type="text"/> | - <input type="text"/> | - <input type="text"/> | - <input type="text"/> |
| | 23=23" Tube 37=37" Tube 46=46" Tube 58=58" Tube 74=74" Tube | See Note | Blank=Galv SS=Stainless | PNC=Process No Color P__=Paint |



Note:
Band Length: 29", 36", 42", 48", 56", 72", 84", 96", or 114".

- Note: 1. All assemblies are supplied standard with stainless fasteners. Stainless upgrade shall include stainless steel clamp screws or cable.
2. See Reference Section for clamp kit pole diameters.
3. See Reference Section for available paint colors.



Astro Sign-Brac Electrical Type Stellar Series

Pelco manufactures a variety of sign brackets in rigid and free-swinging mounts for both flat and internally illuminated signs. Most sign-bracs are available with a cable, band, or tenon mount clamp kit.



SIGN MOUNTINGS

Astro Sign-Brac, Stellar Band Mount, Back Attachment for Internally Illuminated Signs and Signals

AS-3009
Clamp Kit

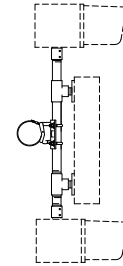


SE-3042
Assembly Kit

AS-0107 - - - -

Tube Length Cable Length Cable Coating

23=23" Tube See Note Blank=Galv PNC=Process No Color
37=37" Tube SS=Stainless P__=Paint
46=46" Tube
58=58" Tube
74=74" Tube



Note:
Cable Length: 62", 84", 96", 110", 120", 132", 144", 220", or 280".

Astro Sign-Brac, Stellar Cable Mount, Back Attachment for Internally Illuminated Signs and Signals

AS-3004
Clamp Kit

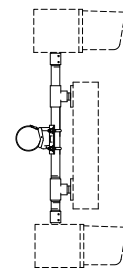


SE-3042
Assembly Kit

AS-0651 - - - -

Tube Length Band Length Clamp Screw Coating

23=23" Tube See Note Blank=Galv PNC=Process No Color
37=37" Tube SS=Stainless P__=Paint
46=46" Tube
58=58" Tube
74=74" Tube



Note:
Band Length: 29", 36", 42", 48", 56", 72", 84", 96", or 114".

- Note: 1. All assemblies are supplied standard with stainless fasteners. Stainless upgrade shall include stainless steel clamp screws or cable.
2. See Reference Section for clamp kit pole diameters.
3. See Reference Section for available paint colors.

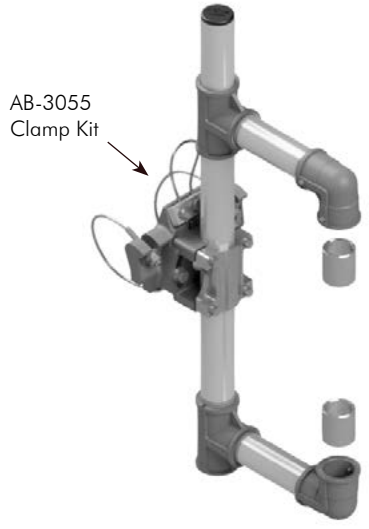


Astro Sign-Brac Electrical Type Cable Mount

Pelco manufactures a variety of sign brackets in rigid and free-swinging mounts for both flat and internally illuminated signs. Most sign-bracs are available with a cable, band, or tenon mount clamp kit.

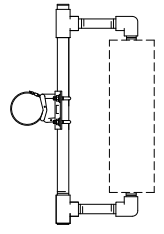


Astro Sign-Brac, Galaxy Cable Mount Top & Bottom Attachment for Internally Illuminated Signs

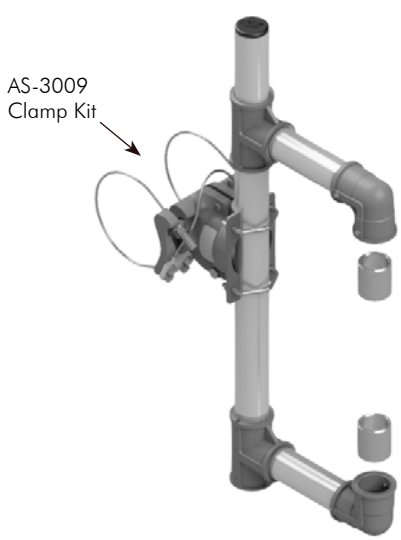


| | | | | | | | | |
|---------|---|---|---|----------------------|---|----------------------------|---|-----------------------------------|
| AG-0652 | - | <input type="text"/> | - | <input type="text"/> | - | <input type="text"/> | - | <input type="text"/> |
| | | Tube Length | | Cable Length | | Cable | | Coating |
| | | 23=23" Tube 37=37" Tube 46=46" Tube 58=58" Tube 74=74" Tube | | See Note | | Blank=Galv SS=Stainless | | PNC=Process No Color P__=Paint |

Note:
Cable Length: 62", 84", 96", 110", 120", 132", 144", 220", or 280".

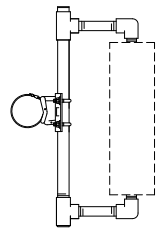


Astro Sign-Brac, Stellar Cable Mount Top & Bottom Attachment for Internally Illuminated Signs



| | | | | | | | | |
|---------|---|---|---|----------------------|---|----------------------------|---|-----------------------------------|
| AS-0652 | - | <input type="text"/> | - | <input type="text"/> | - | <input type="text"/> | - | <input type="text"/> |
| | | Tube Length | | Cable Length | | Cable | | Coating |
| | | 23=23" Tube 37=37" Tube 46=46" Tube 58=58" Tube 74=74" Tube | | See Note | | Blank=Galv SS=Stainless | | PNC=Process No Color P__=Paint |

Note:
Cable Length: 62", 84", 96", 110", 120", 132", 144", 220", or 280".



- Note: 1. All assemblies are supplied standard with stainless fasteners. Stainless upgrade shall include stainless steel cable.
 2. See Reference Section for clamp kit pole diameters.
 3. See Reference Section for available paint colors.

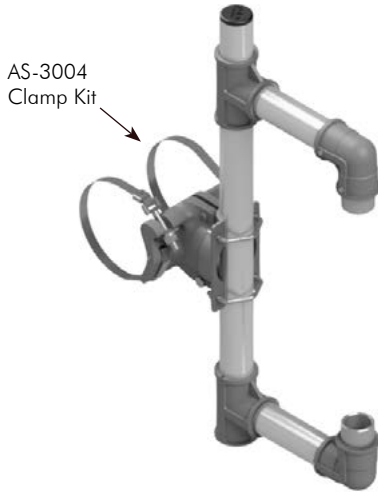


Astro Sign-Brac Electrical Type Band Mount

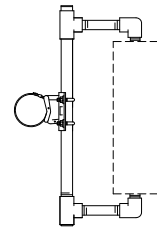
Pelco manufactures a variety of sign brackets in rigid and free-swinging mounts for both flat and internally illuminated signs. Most sign-bracs are available with a cable, band, or tenon mount clamp kit.



Astro Sign-Brac, Stellar Band Mount Top & Bottom Attachment for Internally Illuminated Signs



| | Tube Length | Band Length | Clamp Screw | Coating |
|---------|---|------------------------|----------------------------|-----------------------------------|
| AS-0129 | - <input type="text"/> | - <input type="text"/> | - <input type="text"/> | - <input type="text"/> |
| | 23=23" Tube 37=37" Tube 46=46" Tube 58=58" Tube 74=74" Tube | See Note | Blank=Galv SS=Stainless | PNC=Process No Color P__=Paint |



Note:
Band Length: 29", 36", 42", 48", 56", 72", 84", 96", or 114".

SIGN MOUNTINGS



- Note: 1. All assemblies are supplied standard with stainless fasteners. Stainless upgrade shall include stainless steel clamp screws.
2. See Reference Section for clamp kit pole diameters.
3. See Reference Section for available paint colors.



Sign Bracket Assy for Rigid Structures Stellar Series

Pelco manufactures a variety of sign brackets in rigid and free-swinging mounts for both flat and internally illuminated signs. The sign bracket for rigid structures is available with 8" or 16" sign bar length



Sign Bracket Assy, Stellar Cable Mount For Rigid Structures w/ 24" Alum Tube



| | Sign Bar Length | | Cable Length | | Cable | | Coating | |
|---------|-----------------|--|--------------|----------------------|-------|----------------------------|---------|-----------------------------------|
| AS-0661 | - | <input type="text"/> | - | <input type="text"/> | - | <input type="text"/> | - | <input type="text"/> |
| | | 08=8" w/ Holes 6" CTC 16"=w/ Holes 9-3/4" CTC | | See Note | | Blank=Galv SS=Stainless | | PNC=Process No Color P__=Paint |

Note:
Cable Length: 62", 84", 96", 110", 120", 132", 144", 220", or 280".

- Note: 1. All assemblies are supplied standard with stainless fasteners. Stainless upgrade shall include stainless steel cable.
2. See Reference Section for clamp kit pole diameters.
3. See Reference Section for available paint colors.



Mast Arm Sign Bracket

Pelco manufactures a variety of sign brackets in rigid and free-swinging mounts for both flat and internally illuminated signs.



SIGN MOUNTINGS

pelco PELCO PRODUCTS, INC.



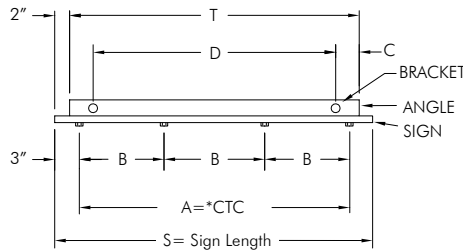
Sign Hanger Assy, Free-Swinging w/ Band Mini-Brac for Overhead Street Name Sign

SE-5128 - - - -

CTC Band Length Stainless Upgrade Coating

*See Chart See Note Blank=Galv PNC=Process No Color
SS=Stainless P__=Paint

Note:
Band Length: 29", 36", 42", 48", 56", 72", or 84".



| SIGNS 3'-6" to 9'-0" LONG | | | | | |
|---------------------------|----------------|--------|-------|-----|-----------|
| SIGN LENGTH S | ANGLE LENGTH T | *CTC A | B | C | BRACKET D |
| 2'0" | 20" | 18" | 6" | 3" | 12" |
| 2'2" | 22" | 20" | 6.7" | 4" | 14" |
| 2'6" | 26" | 24" | 8" | 6" | 14" |
| 3'0" | 32" | 30" | 10" | 6" | 20" |
| 3'6" | 38" | 36" | 12" | 7" | 24" |
| 4'0" | 44" | 42" | 14" | 8" | 28" |
| 4'6" | 50" | 48" | 16" | 9" | 32" |
| 5'0" | 56" | 54" | 18" | 10" | 36" |
| 5'6" | 62" | 60" | 20" | 11" | 40" |
| 6'0" | 68" | 66" | 22" | 12" | 44" |
| 6'6" | 74" | 72" | 24" | 13" | 48" |
| 6'10" | 78" | 76" | 25.3" | 14" | 50" |
| 7'0" | 80" | 78" | 26" | 14" | 52" |
| 7'6" | 86" | 84" | 28" | 15" | 56" |
| 8'0" | 92" | 90" | 30" | 16" | 60" |
| 8'6" | 98" | 96" | 32" | 17" | 68" |
| 9'0" | 104" | 102" | 34" | 18" | 68" |
| 9'6" | 110" | 108" | 36" | 19" | 72" |
| 10'0" | 116" | 114" | 38" | 20" | 76" |



Sign Hanger Assy, Free-Swinging w/ Cable Mini-Brac for Overhead Street Name Signs

SE-5188 - - - -

CTC Cable Length Stainless Upgrade Coating

*See Chart See Note Blank=Galv PNC=Process No Color
SS=Stainless P__=Paint

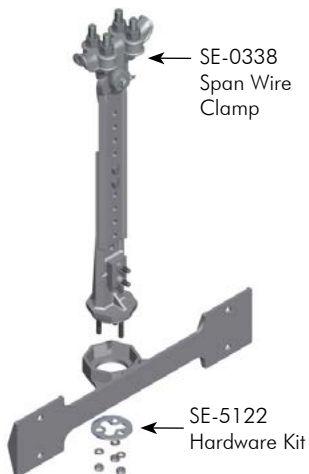
Note:
Cable Length: 45", 62", or 84".

- Note: 1. All assemblies are supplied standard with stainless steel slotted washers and fasteners with galvanized pins and clamp screw or cable. Stainless upgrade shall include stainless hardware, pins, and clamp screw or cable.
2. See Reference Section for clamp kit pole diameters.
3. See Reference Section for available paint colors.



Span Wire Sign Hanger Assemblies

Pelco manufactures a variety of sign brackets in rigid and free-swinging mounts for both flat and internally illuminated signs.



Span Wire Sign Hanger, 16" CTC, Adjustable with Tether, Alum

SE-5116 - - -

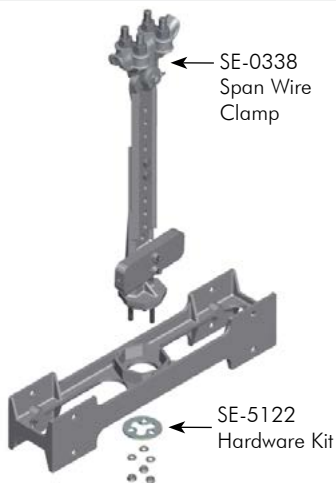
| | | |
|--------------|-------------------|----------------------|
| Bushing | Stainless Upgrade | Coating |
| Blank=None | Blank=Galv | PNC=Process No Color |
| SS=Stainless | SS=Stainless | P__=Paint |
| Bushing | | |



Span Wire Sign Hanger, 16" CTC, Adjustable with Stabilizer Bar, Alum

SE-5114 - - -

| | | |
|--------------|-------------------|----------------------|
| Bushing | Stainless Upgrade | Coating |
| Blank=None | Blank=Galv | PNC=Process No Color |
| SS=Stainless | SS=Stainless | P__=Paint |
| Bushing | | |



Span Wire Sign Hanger, Double, 16" CTC, Adjustable with Tether, Alum

SE-5112 - - -

| | | |
|--------------|-------------------|----------------------|
| Bushing | Stainless Upgrade | Coating |
| Blank=None | Blank=Galv | PNC=Process No Color |
| SS=Stainless | SS=Stainless | P__=Paint |
| Bushing | | |

Note: 1. All assemblies are supplied standard with stainless steel slotted washers and fasteners with galvanized hardware on span wire clamps. Stainless upgrade shall include stainless steel hardware and pins.
 2. See Reference Section for available paint colors.



Span Wire Sign Hanger Assemblies

Pelco manufactures a variety of sign brackets in rigid and free-swinging mounts for both flat and internally illuminated signs.



SE-0321
Span Wire Clamp



Sign Hanger Assy, Free-Swinging Span Wire Mount, Tri-Stud, Alum

SE-5214 - - - -

| | | | | |
|---------------------------------------|---------------------------------------|----------------------------|-----------------------------------|---------|
| | Extender | Bushing | Stainless Upgrade | Coating |
| Blank=No Extender 11=11" Extenders | Blank=None SS=Stainless Bushing | Blank=Galv SS=Stainless | PNC=Process No Color P__=Paint | |

SE-5123
Hardware Kit

Note:
Assembly shown with extenders.

Note: 1. All assemblies are supplied standard with stainless steel slotted washers and fasteners with galvanized hardware on span wire clamps. Stainless upgrade shall include stainless steel hardware and pins.
2. See Reference Section for available paint colors.

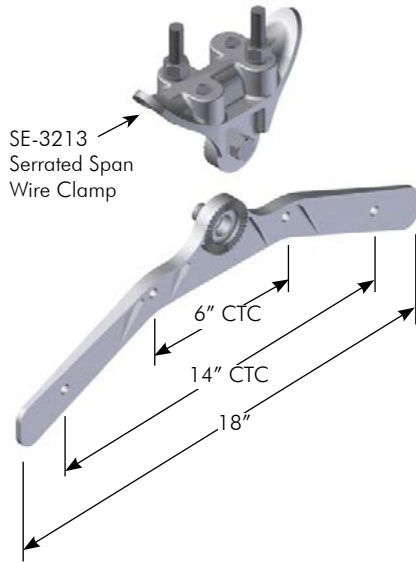


Span Wire Sign Hanger Assemblies

Pelco manufactures a variety of sign brackets in rigid and free-swinging mounts for both flat and internally illuminated signs.



Span Wire Sign Hanger, 6" & 14" CTC Serrated Span Wire Clamp, Alum



SE-5115 - -

Stainless Upgrade Coating
Blank=Galv PNC=Process No Color
SS=Stainless P__=Paint

Span Wire Sign Hanger, 6" & 14" CTC 90° Span Wire Clamp, Adjustable, Alum



SE-5111 - -

Stainless Upgrade Coating
Blank=Galv PNC=Process No Color
SS=Stainless P__=Paint

Note: 1. All assemblies are supplied standard with stainless steel slotted washers and fasteners with galvanized hardware on span wire clamps. Stainless upgrade shall include stainless steel hardware and pins.
2. See Reference Section for available paint colors.

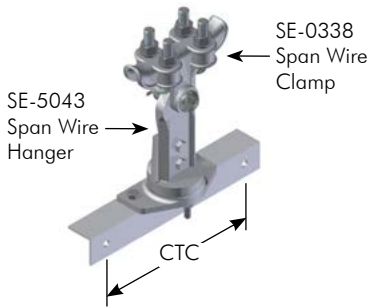


Span Wire Sign Hanger Assemblies

Pelco manufactures a variety of sign brackets in rigid and free-swinging mounts for both flat and internally illuminated signs.



SIGN MOUNTINGS

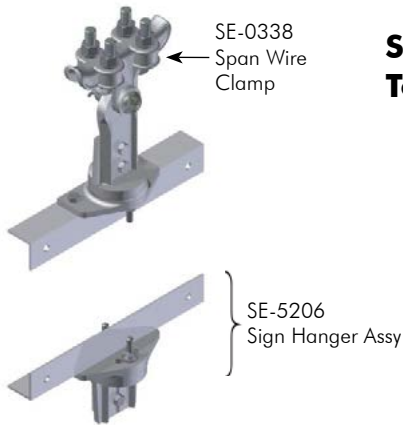


Sign Hanger Assy, Iron Span Wire Clamp, Alum

SE-5190 - - - -

See Chart Blank=None Blank=Galv PNC=Process No Color
 SS=Stainless SS=Stainless P__=Paint
 Bushing

| CTC | SIGN |
|-----|------|
| 11" | 16" |
| 13" | 18" |
| 19" | 24" |
| 25" | 30" |
| 31" | 36" |
| 37" | 42" |



Sign Hanger Assy, Iron Span Wire Clamp, Top & Bottom Mount w/ Tether, Alum

SE-5189 - - - -

See Chart Blank=None Blank=Galv PNC=Process No Color
 SS=Stainless SS=Stainless P__=Paint
 Bushing

| CTC | SIGN |
|-----|------|
| 11" | 16" |
| 13" | 18" |
| 19" | 24" |
| 25" | 30" |
| 31" | 36" |
| 37" | 42" |



Sign Hanger Assy, Adjustable, Iron Span Wire Clamp, Alum

SE-5191 - - - - -

See Chart Blank=None Blank=None Blank=Galv PNC=Process No Color
 T=Tether SS=Stainless SS=Stainless P__=Paint
 Bushing

| CTC | SIGN |
|-----|------|
| 11" | 16" |
| 13" | 18" |
| 19" | 24" |
| 25" | 30" |
| 31" | 36" |
| 37" | 42" |

Note: 1. All assemblies are supplied standard with stainless steel slotted washers and fasteners with galvanized hardware on span wire clamps. Stainless upgrade shall include stainless steel hardware and pins.
 2. See Reference Section for available paint colors.



Span Wire Sign Hanger Assemblies

Pelco manufactures a variety of sign brackets in rigid and free-swinging mounts for both flat and internally illuminated signs.



Span Wire Sign Hanger Assy, Free-Swinging Iron Span Wire Clamp, Tether & Sign Clamps, Alum

SE-5098 - - -

| | | |
|---------------------------------------|----------------------------|-----------------------------------|
| Bushing | Stainless Upgrade | Coating |
| Blank=None SS=Stainless Bushing | Blank=Galv SS=Stainless | PNC=Process No Color P__=Paint |

SIGN MOUNTINGS

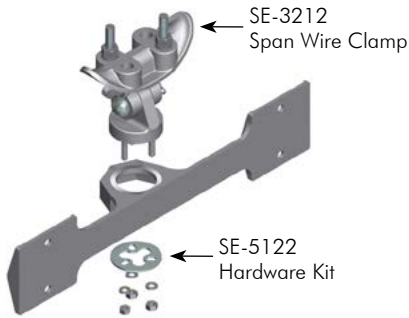


Note: 1. All assemblies are supplied standard with stainless steel slotted washers and fasteners with galvanized hardware on span wire clamps. Stainless upgrade shall include stainless steel hardware and pins.
2. See Reference Section for available paint colors.



Span Wire Sign Hanger Assemblies

Pelco manufactures a variety of sign brackets in rigid and free-swinging mounts for both flat and internally illuminated signs.



Free-Swinging Sign Hanger, 90° Span Wire Clamp, 16" CTC, Alum

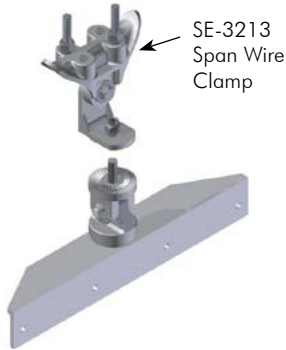
SE-5117 - - -

Bushing Stainless Upgrade Coating

Blank=None Blank=Galv PNC=Process No Color

SS=Stainless SS=Stainless P__=Paint

Bushing



Free-Swinging Sign Hanger, Serrated Span Wire Clamp, Adjustable, 16-1/2" CTC, Alum

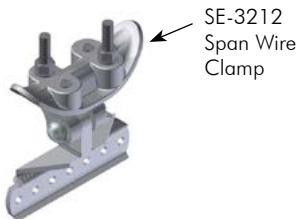
SE-5169 - - -

Bushing Stainless Upgrade Coating

Blank=None Blank=Galv PNC=Process No Color

SS=Stainless SS=Stainless P__=Paint

Bushing



Free-Swinging Sign Hanger, 90° Span Wire Clamp, 7-Hole, Alum

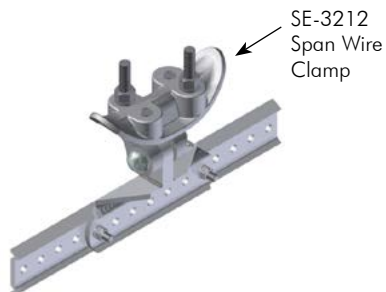
SE-5167 - - -

Bushing Stainless Upgrade Coating

Blank=None Blank=Galv PNC=Process No Color

SS=Stainless SS=Stainless P__=Paint

Bushing



Free-Swinging Sign Hanger, 90° Span Wire Clamp, Extender, Alum

SE-5168 - - -

CTC Stainless Upgrade Coating

See Chart Blank=Galv PNC=Process No Color

SS=Stainless SS=Stainless P__=Paint

| CTC | EXTENDER |
|-----|----------|
| 15" | 16" |
| 21" | 22" |
| 33" | 34" |

Note: 1. All assemblies are supplied standard with stainless steel slotted washers and fasteners with galvanized hardware on span wire clamps. Stainless upgrade shall include stainless steel hardware and pins.
2. See Reference Section for available paint colors.



Sign Mount Assemblies

Pelco manufactures a variety of sign brackets in both rigid and free-swinging mounts for flat and internally illuminated signs. Additional sign mounting options can be found in Section T16.



Adjustable Sign Mount Assy, Mast Arm, Alum

Zee Bar
CTC

SH-0112 - -

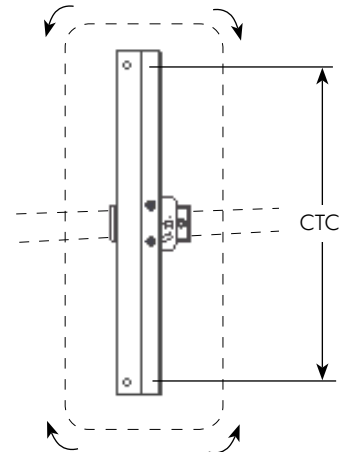
24=24"
30=30"
36=36"
42=42"
Blank=None

Coating

PNC=Process No Color
P__=Paint



Rear View



SIGN MOUNTINGS



- Note: 1. All assemblies are supplied standard with stainless fasteners.
2. See Reference Section for available paint colors.
3. See Section T16 for additional sign mounting assemblies.



Sign Accessories

Pelco's safety cable assemblies are available for span wire, Astro-Brac, and sign hanger assemblies.



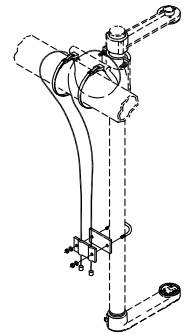
Safety Cable for Span Wire

| | | | |
|-----------|------------------------------|---|----------------------------|
| | Cable Length | - | Cable |
| SE-3294 - | [] | - | [] |
| | 84=84" 96=96" 110=110" | | Blank=Galv SS=Stainless |



Safety Cable for Astro-Brac

| | | | |
|-----------|------------------------------|---|----------------------------|
| | Cable Length | - | Cable |
| AB-0503 - | [] | - | [] |
| | 84=84" 96=96" 110=110" | | Blank=Galv SS=Stainless |



Safety Cable for Sign Hangers, Stainless

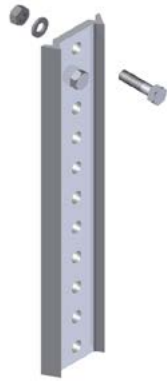
| | | | |
|-----------|--|---|----|
| | Cable Length | - | SS |
| SH-1867 - | [] | - | SS |
| | 24=24" 48=48" 72=72" 100=100" 120=120" | | |

Note: 1. All assemblies are supplied standard with stainless fasteners.
2. See Reference Section for available paint colors.



Sign Accessories

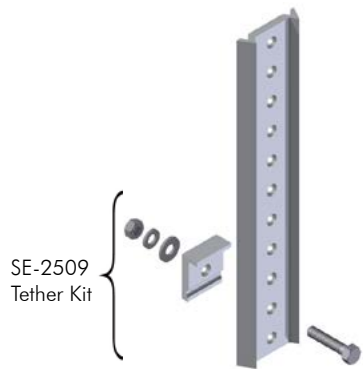
Accessories for sign mountings such as hangers, extenders, and tethers are available in a variety of configurations.



Extender, Alum w/ 5/16"-18 x 1-1/4" Bolts

SE-5181 - - PNC

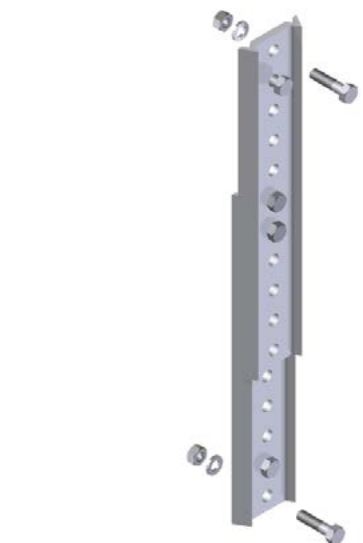
Extender Length
 06=6"
 11=11"
 19=19"
 24=24"
 40=40"
 72=72"



Extender Assy w/ Tether, Alum w/ 5/16"-18 x 1-1/2" Bolts

SE-5051 - - PNC

Extender Length
 06=6"
 11=11"
 19=19"
 24=24"
 40=40"
 72=72"



Extender Assy w/ 11" Extenders, Alum w/ 5/16"-18 x 1" & 1-1/2" Bolts

SE-5069 -

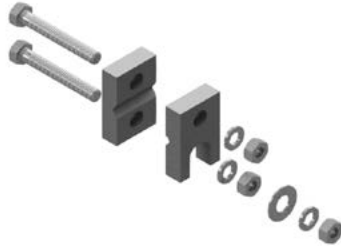
Coating
 PNC=Process No Color
 P__=Paint

Note: 1. All assemblies are supplied standard with stainless fasteners.
 2. See Reference Section for available paint colors.



Sign Accessories

Accessories for sign mountings such as hangers, extenders and tethers are available in a variety of configurations.



Tether Plate Assembly, Alum w/ 5/16"-18 x 2-1/4" Bolts

SE-5039 -

Coating

PNC=Process No Color

P__=Paint



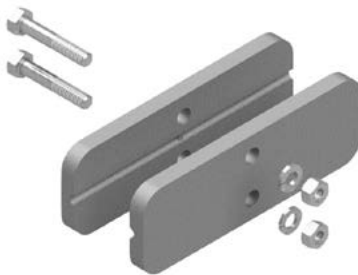
Tether Plate Assembly, Alum w/ 5/16"-18 x 1-1/2" Bolts

SE-2509 -

Coating

PNC=Process No Color

P__=Paint



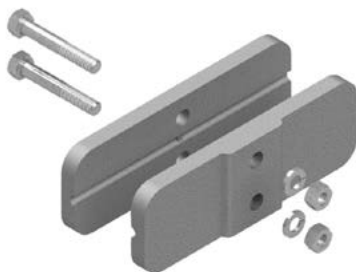
Tether Plate Assembly, Alum w/ Stabilizer Bars & 5/16"-18 x 1-3/4" Bolts

SE-2512 -

Coating

PNC=Process No Color

P__=Paint



Tether Plate Assembly, Alum w/ Stabilizer Bar, Block, & 5/16"-18 x 2" Bolts

SE-2519 -

Coating

PNC=Process No Color

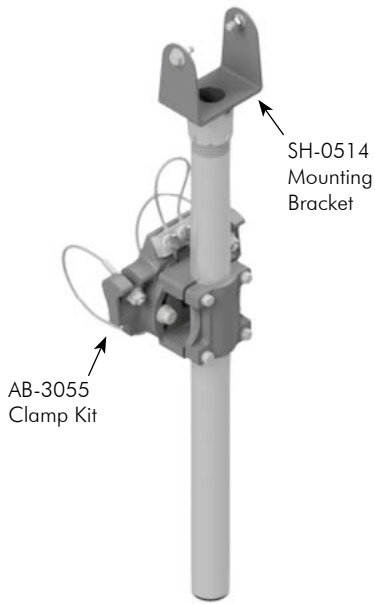
P__=Paint

Note: 1. All assemblies are supplied standard with stainless fasteners.
2. See Reference Section for available paint colors.



Astro-Brac 1-Piece Camera Bracket Cable Mount

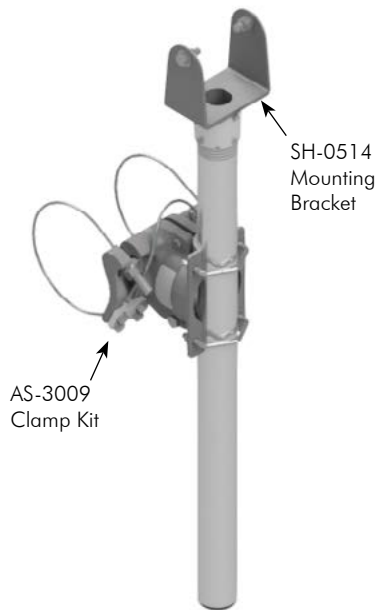
Pelco makes adjustable brackets for cameras, sensors and antennas that can mount a variety of traffic industry devices. Video Detection camera brackets are available for mast arm, post top, span wire or side-of-pole applications.



Camera Bracket, 1-Piece Extended Tilt & Pan, Alum Galaxy Cable Mount

| | Tube Length | Cable Length | Cable | Coating |
|---------|---|------------------------|----------------------------|-----------------------------------|
| AG-0175 | - <input type="text"/> | - <input type="text"/> | - <input type="text"/> | - <input type="text"/> |
| | 23=23" Tube 37=37" Tube 46=46" Tube 58=58" Tube 74=74" Tube | See Note | Blank=Galv SS=Stainless | PNC=Process No Color P__=Paint |

Note:
Cable Length: 62", 84", 96", 110", 120", 132", 144", 220", or 280".



Camera Bracket, 1-Piece Extended Tilt & Pan, Alum Stellar Cable Mount

| | Tube Length | Cable Length | Cable | Coating |
|---------|---|------------------------|----------------------------|-----------------------------------|
| AS-0175 | - <input type="text"/> | - <input type="text"/> | - <input type="text"/> | - <input type="text"/> |
| | 23=23" Tube 37=37" Tube 46=46" Tube 58=58" Tube 74=74" Tube | See Note | Blank=Galv SS=Stainless | PNC=Process No Color P__=Paint |

Note:
Cable Length: 62", 84", 96", 110", 120", 132", 144", 220", or 280".

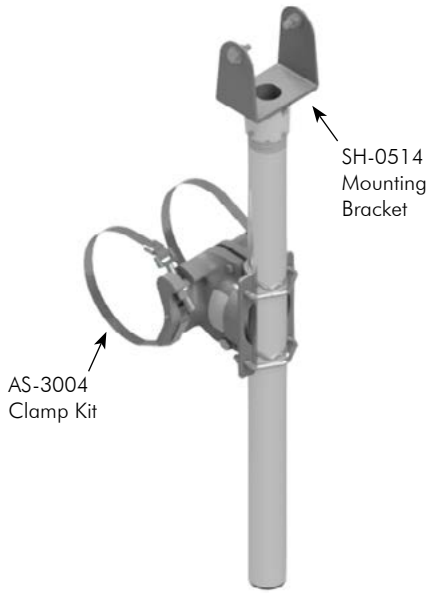
- Note: 1. All assemblies are supplied standard with stainless steel fasteners.
2. See T7-20 for bracket size and mounting hole locations.
3. See Reference Section page iv for cable clamp kit pole diameters.
4. See Reference Section for available paint colors.



Astro-Brac

1-Piece Camera Bracket Band and Tenon Mount

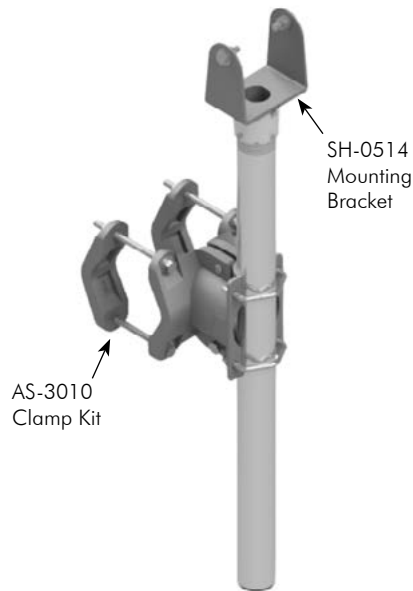
Pelco makes adjustable brackets for cameras, sensors and antennas that can mount a variety of traffic industry devices. Video Detection camera brackets are available for mast arm, post top, span wire or side-of-pole applications.



Camera Bracket, 1-Piece Extended Tilt & Pan, Alum Stellar Band Mount

| | | | | | | | | |
|---------|---|---|---|----------------------|---|----------------------------|---|-----------------------------------|
| AS-0170 | - | <input type="text"/> | - | <input type="text"/> | - | <input type="text"/> | - | <input type="text"/> |
| | | Tube Length | | Band Length | | Clamp Screw | | Coating |
| | | 23=23" Tube 37=37" Tube 46=46" Tube 58=58" Tube 74=74" Tube | | See Note | | Blank=Galv SS=Stainless | | PNC=Process No Color P__=Paint |

Note:
Band Length: 29", 36", 42", 48", 56", 72", 84", 96", or 114".



Camera Bracket, 1-Piece Extended Tilt & Pan, Alum Stellar Tenon Mount

| | | | | |
|---------|---|---|---|-----------------------------------|
| AS-0629 | - | <input type="text"/> | - | <input type="text"/> |
| | | Tube Length | | Coating |
| | | 23=23" Tube 37=37" Tube 46=46" Tube 58=58" Tube 74=74" Tube | | PNC=Process No Color P__=Paint |

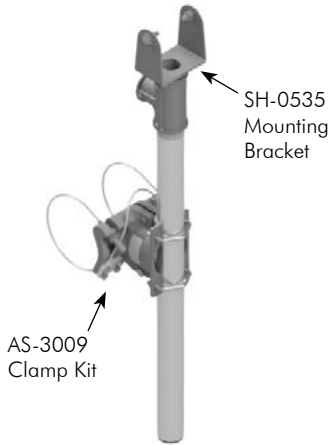
Note:
Fits 1.9" to 4.5" diameter.

- Note: 1. All assemblies are supplied standard with stainless steel fasteners.
2. See T7-20 for bracket size and mounting hole locations.
3. See Reference Section page iv for band clamp kit pole diameters.
4. See Reference Section for available paint colors.



Astro-Brac 1-Piece Camera Bracket with Service Wire Outlet

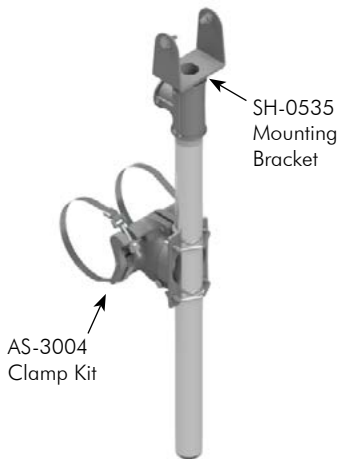
Pelco makes adjustable brackets for cameras, sensors and antennas that can mount a variety of traffic industry devices. Video Detection camera brackets are available for mast arm, post top, span wire or side-of-pole applications.



Camera Bracket, 1-Piece Extended Tilt & Pan w/ Service Wire Outlet, Alum Stellar Cable Mount

| | | | | | | | | |
|---------|---|----------------------|---|----------------------|---|----------------------|---|----------------------|
| AS-0166 | - | <input type="text"/> | - | <input type="text"/> | - | <input type="text"/> | - | <input type="text"/> |
| | | 23=23" Tube | | See Note | | Blank=Galv | | PNC=Process No Color |
| | | 37=37" Tube | | | | SS=Stainless | | P__=Paint |
| | | 46=46" Tube | | | | | | |
| | | 58=58" Tube | | | | | | |
| | | 74=74" Tube | | | | | | |

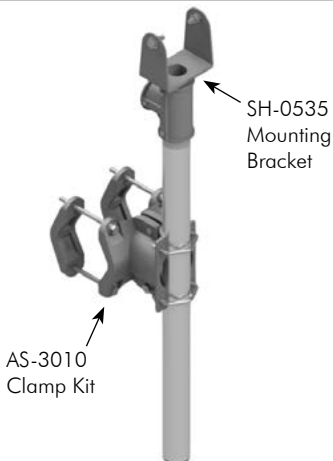
Note:
Cable Length: 62", 84", 96", 110", 120", 132", 144", 220", or 280".



Camera Bracket, 1-Piece Extended Tilt & Pan w/ Service Wire Outlet, Alum Stellar Band Mount

| | | | | | | | | |
|---------|---|----------------------|---|----------------------|---|----------------------|---|----------------------|
| AS-0177 | - | <input type="text"/> | - | <input type="text"/> | - | <input type="text"/> | - | <input type="text"/> |
| | | 23=23" Tube | | See Note | | Blank=Galv | | PNC=Process No Color |
| | | 37=37" Tube | | | | SS=Stainless | | P__=Paint |
| | | 46=46" Tube | | | | | | |
| | | 58=58" Tube | | | | | | |
| | | 74=74" Tube | | | | | | |

Note:
Band Length: 29", 36", 42", 48", 56", 72", 84", 96", or 114".



Camera Bracket, 1-Piece Extended Tilt & Pan w/ Service Wire Outlet, Alum Stellar Tenon Mount

| | | | | |
|---------|---|----------------------|---|----------------------|
| AS-0654 | - | <input type="text"/> | - | <input type="text"/> |
| | | 23=23" Tube | | PNC=Process No Color |
| | | 37=37" Tube | | P__=Paint |
| | | 46=46" Tube | | |
| | | 58=58" Tube | | |
| | | 74=74" Tube | | |

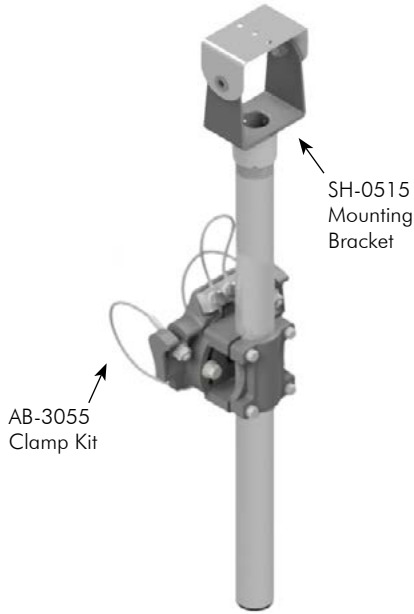
Note:
Fits 1.9" to 4.5" diameter.

- Note: 1. All assemblies are supplied standard with stainless steel fasteners.
2. See T7-20 for bracket size and mounting hole locations.
3. See Reference Section page iv for cable and band clamp kit pole diameters.
4. See Reference Section for available paint colors.



Astro-Brac 2-Piece Camera Bracket Cable Mount

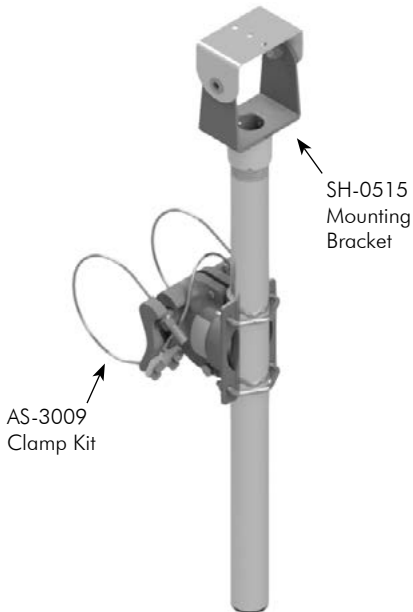
Pelco makes adjustable brackets for cameras, sensors and antennas that can mount a variety of traffic industry devices. Video Detection camera brackets are available for mast arm, post top, span wire or side-of-pole applications.



Camera Bracket, 2-Piece Extended Tilt & Pan, Alum Galaxy Cable Mount

| | Tube Length | Cable Length | Cable | Coating |
|---------|---|------------------------|----------------------------|-----------------------------------|
| AG-0169 | - <input type="text"/> | - <input type="text"/> | - <input type="text"/> | - <input type="text"/> |
| | 23=23" Tube 37=37" Tube 46=46" Tube 58=58" Tube 74=74" Tube | See Note | Blank=Galv SS=Stainless | PNC=Process No Color P__=Paint |

Note:
Cable Length: 62", 84", 96", 110", 120", 132", 144", 220", or 280".



Camera Bracket, 2-Piece Extended Tilt & Pan, Alum Stellar Cable Mount, Alum

| | Tube Length | Cable Length | Cable | Coating |
|---------|---|------------------------|----------------------------|-----------------------------------|
| AS-0169 | - <input type="text"/> | - <input type="text"/> | - <input type="text"/> | - <input type="text"/> |
| | 23=23" Tube 37=37" Tube 46=46" Tube 58=58" Tube 74=74" Tube | See Note | Blank=Galv SS=Stainless | PNC=Process No Color P__=Paint |

Note:
Cable Length: 62", 84", 96", 110", 120", 132", 144", 220", or 280".

- Note: 1. All assemblies are supplied standard with stainless steel fasteners.
2. See T7-20 for bracket size and mounting hole locations.
3. See Reference Section page iv for cable clamp kit pole diameters.
4. See Reference Section for available paint colors.



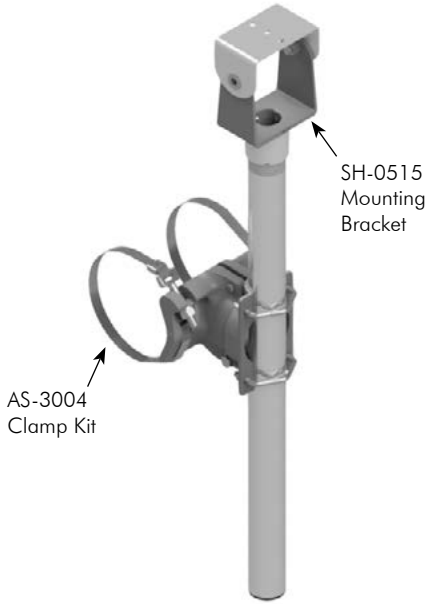
CAMERA MOUNTS

Astro-Brac 2-Piece Camera Bracket Band and Tenon Mount

Pelco makes adjustable brackets for cameras, sensors and antennas that can mount a variety of traffic industry devices. Video Detection camera brackets are available for mast arm, post top, span wire or side-of-pole applications.



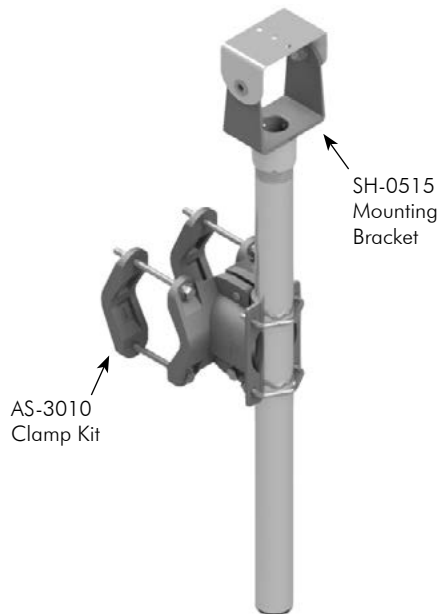
CAMERA MOUNTS



Camera Bracket, 2-Piece Extended Tilt & Pan, Alum Stellar Band Mount

| | | | | | | | | |
|---------|---|---|---|----------------------|---|----------------------------|---|-----------------------------------|
| AS-0172 | - | <input type="text"/> | - | <input type="text"/> | - | <input type="text"/> | - | <input type="text"/> |
| | | Tube Length | | Band Length | | Clamp Screw | | Coating |
| | | 23=23" Tube 37=37" Tube 46=46" Tube 58=58" Tube 74=74" Tube | | See Note | | Blank=Galv SS=Stainless | | PNC=Process No Color P__=Paint |

Note:
Band Length: 29", 36", 42", 48", 56", 72", 84", 96", or 114".



Camera Bracket, 2-Piece Extended Tilt & Pan, Alum Stellar Tenon Mount

| | | | | |
|---------|---|---|---|-----------------------------------|
| AS-0653 | - | <input type="text"/> | - | <input type="text"/> |
| | | Tube Length | | Coating |
| | | 23=23" Tube 37=37" Tube 46=46" Tube 58=58" Tube 74=74" Tube | | PNC=Process No Color P__=Paint |

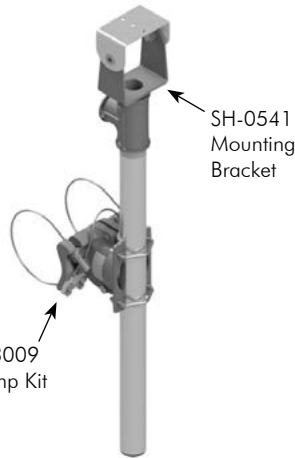
Note:
Fits 1.9" to 4.5" diameter.

- Note: 1. All assemblies are supplied standard with stainless steel fasteners.
2. See T7-20 for bracket size and mounting hole locations.
3. See Reference Section page iv for band clamp kit pole diameters.
4. See Reference Section for available paint colors.



Astro-Brac 2-Piece Camera Bracket with Service Wire Outlet

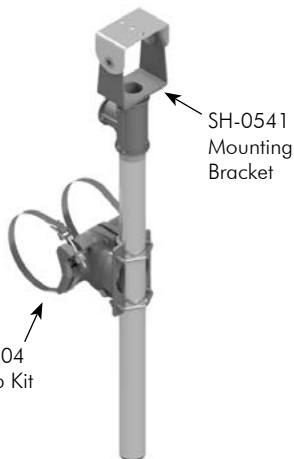
Pelco makes adjustable brackets for cameras, sensors and antennas that can mount a variety of traffic industry devices. Video Detection camera brackets are available for mast arm, post top, span wire or side-of-pole applications.



Camera Bracket, 2-Piece Extended Tilt & Pan w/ Service Wire Outlet, Alum Stellar Cable Mount

| | | | | | | | | |
|---------|---|---|---|----------------------|---|----------------------------|---|-----------------------------------|
| AS-0164 | - | <input type="text"/> | - | <input type="text"/> | - | <input type="text"/> | - | <input type="text"/> |
| | | 23=23" Tube 37=37" Tube 46=46" Tube 58=58" Tube 74=74" Tube | | See Note | | Blank=Galv SS=Stainless | | PNC=Process No Color P__=Paint |

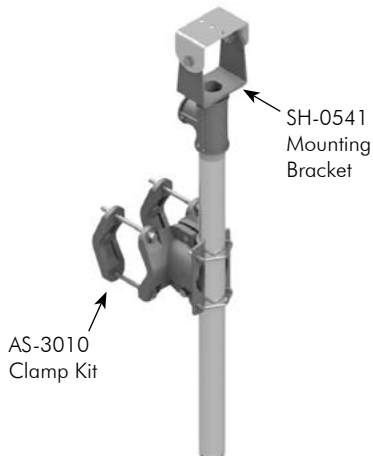
Note:
Cable Length: 62", 84", 96", 110", 120", 132", 144", 220", or 280".



Camera Bracket, 2-Piece Extended Tilt & Pan w/ Service Wire Outlet, Alum Stellar Band Mount

| | | | | | | | | |
|---------|---|---|---|----------------------|---|----------------------------|---|-----------------------------------|
| AS-0173 | - | <input type="text"/> | - | <input type="text"/> | - | <input type="text"/> | - | <input type="text"/> |
| | | 23=23" Tube 37=37" Tube 46=46" Tube 58=58" Tube 74=74" Tube | | See Note | | Blank=Galv SS=Stainless | | PNC=Process No Color P__=Paint |

Note:
Band Length: 29", 36", 42", 48", 56", 72", 84", 96", or 114".



Camera Bracket, 2-Piece Extended Tilt & Pan w/ Service Wire Outlet, Alum Stellar Tenon Mount

| | | | | |
|---------|---|---|---|-----------------------------------|
| AS-0655 | - | <input type="text"/> | - | <input type="text"/> |
| | | 23=23" Tube 37=37" Tube 46=46" Tube 58=58" Tube 74=74" Tube | | PNC=Process No Color P__=Paint |

Note:
Fits 1.9" to 4.5" diameter.

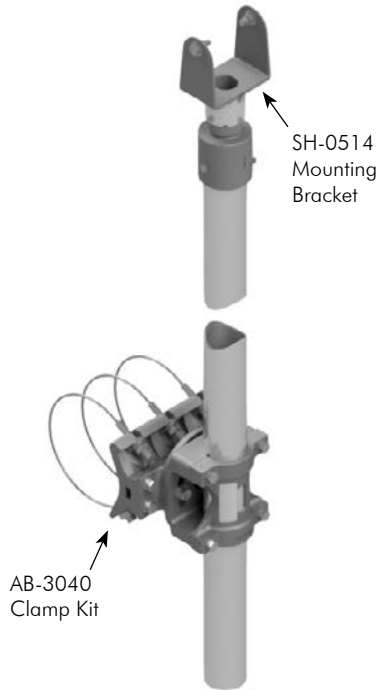
- Note: 1. All assemblies are supplied standard with stainless steel fasteners.
2. See T7-20 for bracket size and mounting hole locations.
3. See Reference Section page iv for cable and band clamp kit pole diameters.
4. See Reference Section for available paint colors.



CAMERA MOUNTS

Astro-Brac 1-Piece Camera Bracket Triton Series

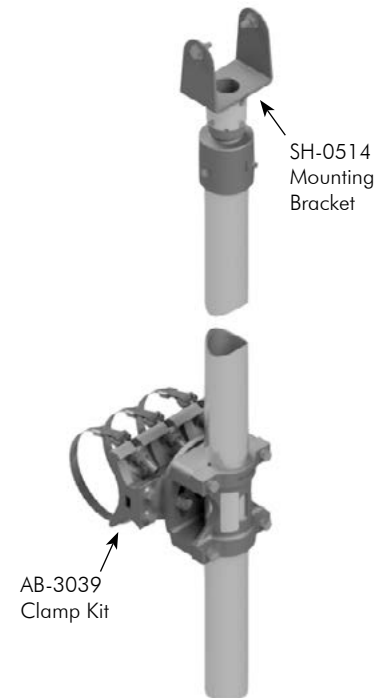
With three bands or cables and a 2-3/8" OD tube the Triton Camera Bracket is an ideal solution for heavier items and higher mountings. A member of the Astro-Brac family, the bracket rotates 360°, has greater strength, and can reach up to a 15' height.



Camera Bracket, 1-Piece Extended Tilt & Pan, Alum Triton Cable Mount

| | Tube Length In Inches | - | Cable Length | - | Cable | - | Coating |
|---------|--|---|----------------------|---|----------------------------|---|-----------------------------------|
| AB-0601 | <input type="text"/> | - | <input type="text"/> | - | <input type="text"/> | - | <input type="text"/> |
| | 120=10' Tube 144=12' Tube 180=15' Tube | | See Note | | Blank=Galv SS=Stainless | | PNC=Process No Color P__=Paint |

Note:
Cable Length: 45", 62", or 84".



Camera Bracket, 1-Piece Extended Tilt & Pan, Alum Triton Band Mount

| | Tube Length In Inches | - | Band Length | - | Clamp Screw | - | Coating |
|---------|--|---|----------------------|---|----------------------------|---|-----------------------------------|
| AS-0600 | <input type="text"/> | - | <input type="text"/> | - | <input type="text"/> | - | <input type="text"/> |
| | 120=10' Tube 144=12' Tube 180=15' Tube | | See Note | | Blank=Galv SS=Stainless | | PNC=Process No Color P__=Paint |

Note:
Band Length: 29", 36", 42", 48", 56", 72", or 84".

- Note: 1. All assemblies are supplied standard with stainless steel fasteners.
2. See T7-20 for bracket size and mounting hole locations.
3. See Reference Section page iv for cable and band clamp kit pole diameters.
4. See Reference Section for available paint colors.



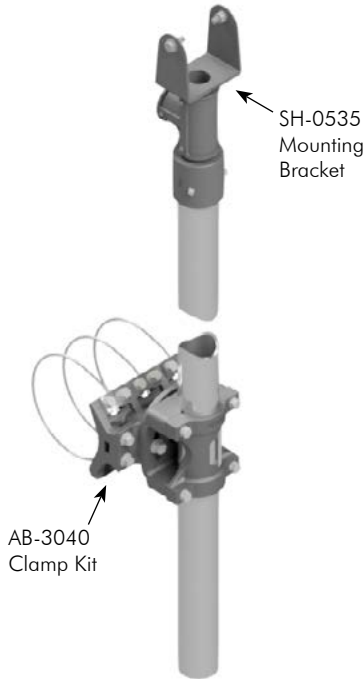
Astro-Brac 1-Piece Camera Bracket with Service Wire Outlet Triton Series

With three bands or cables and a 2-3/8" OD tube the Triton Camera Bracket is an ideal solution for heavier items and higher mountings. A member of the Astro-Brac family, the bracket rotates 360°, has greater strength, and can reach up to a 15' height.



CAMERA MOUNTS

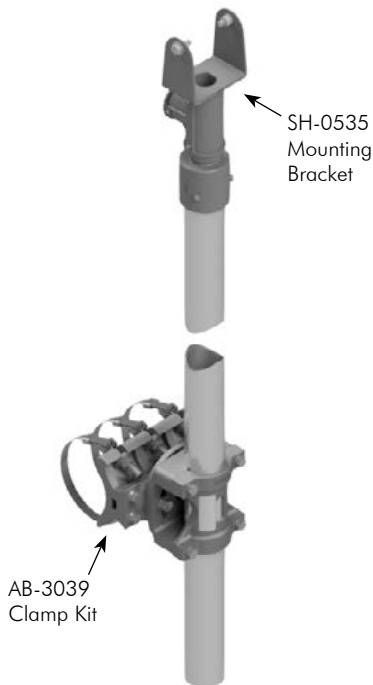
Camera Bracket, 1-Piece Extended Tilt & Pan w/ Service Wire Outlet, Alum Triton Cable Mount



| Tube Length In Inches | Cable Length | Cable | Coating |
|--|------------------------|----------------------------|------------------------------------|
| AB-0613 - <input type="text"/> | - <input type="text"/> | - <input type="text"/> | - <input type="text"/> |
| 120=10' Tube 144=12' Tube 180=15' Tube | See Note | Blank=Galv SS=Stainless | PNC=Process No Color P_ _=Paint |

Note:
Cable Length: 45", 62", or 84".

Camera Bracket, 1-Piece Extended Tilt & Pan w/ Service Wire Outlet, Alum Triton Band Mount



| Tube Length In Inches | Band Length | Clamp Screw | Coating |
|--|------------------------|----------------------------|------------------------------------|
| AS-0612 - <input type="text"/> | - <input type="text"/> | - <input type="text"/> | - <input type="text"/> |
| 120=10' Tube 144=12' Tube 180=15' Tube | See Note | Blank=Galv SS=Stainless | PNC=Process No Color P_ _=Paint |

Note:
Band Length: 29", 36", 42", 48", 56", 72", or 84".

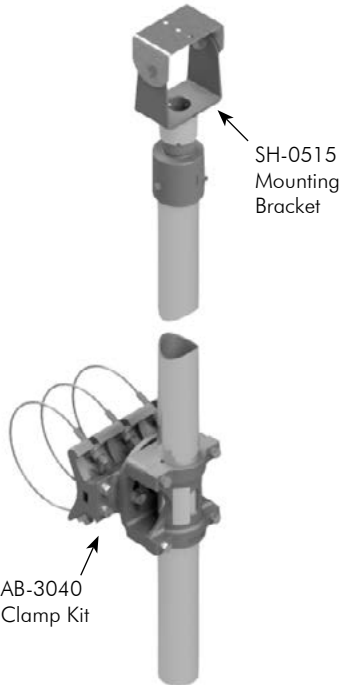


- Note: 1. All assemblies are supplied standard with stainless steel fasteners.
2. See T7-20 for bracket size and mounting hole locations.
3. See Reference Section page iv for cable and band clamp kit pole diameters.
4. See Reference Section for available paint colors.



Astro-Brac 2-Piece Camera Bracket Triton Series

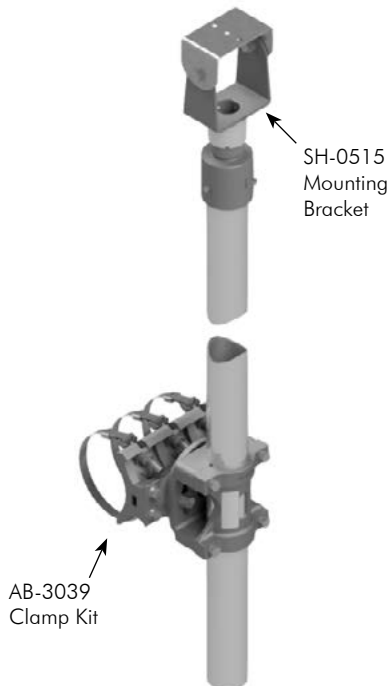
With three bands or cables and a 2-3/8" OD tube the Triton Camera Bracket is an ideal solution for heavier items and higher mountings. A member of the Astro-Brac family, the bracket rotates 360°, has greater strength, and can reach up to a 15' height.



Camera Bracket, 2-Piece Extended Tilt & Pan, Alum Triton Cable Mount

| | Tube Length In Inches | - | Cable Length | - | Cable | - | Coating |
|---------|--|---|----------------------|---|----------------------------|---|------------------------------------|
| AB-0611 | <input type="text"/> | - | <input type="text"/> | - | <input type="text"/> | - | <input type="text"/> |
| | 120=10' Tube 144=12' Tube 180=15' Tube | | See Note | | Blank=Galv SS=Stainless | | PNC=Process No Color P_=_=Paint |

Note:
Cable Length: 45", 62", or 84".



Camera Bracket, 2-Piece Extended Tilt & Pan, Alum Triton Band Mount

| | Tube Length In Inches | - | Band Length | - | Clamp Screw | - | Coating |
|---------|--|---|----------------------|---|----------------------------|---|------------------------------------|
| AS-0610 | <input type="text"/> | - | <input type="text"/> | - | <input type="text"/> | - | <input type="text"/> |
| | 120=10' Tube 144=12' Tube 180=15' Tube | | See Note | | Blank=Galv SS=Stainless | | PNC=Process No Color P_=_=Paint |

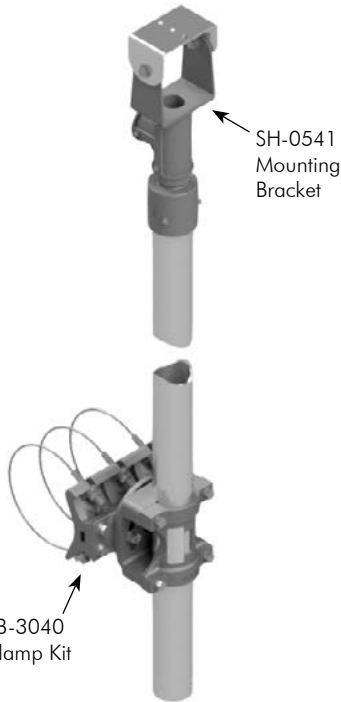
Note:
Band Length: 29", 36", 42", 48", 56", 72", or 84".

- Note: 1. All assemblies are supplied standard with stainless steel fasteners.
2. See T7-20 for bracket size and mounting hole locations.
3. See Reference Section page iv for cable and band clamp kit pole diameters.
4. See Reference Section for available paint colors.



Astro-Brac 2-Piece Camera Bracket with Service Wire Outlet Triton Series

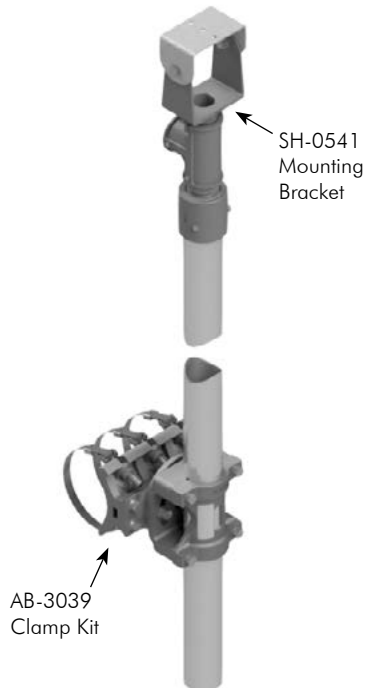
With three bands or cables and a 2-3/8" OD tube the Triton Camera Bracket is an ideal solution for heavier items and higher mountings. A member of the Astro-Brac family, the bracket rotates 360°, has greater strength, and can reach up to a 15' height.



Camera Bracket, 2-Piece Extended Tilt & Pan w/ Service Wire Outlet, Alum Triton Cable Mount

| | Tube Length In Inches | - | Cable Length | - | Cable | - | Coating |
|---------|--|---|----------------------|---|----------------------------|---|-----------------------------------|
| AB-0615 | <input type="text"/> | - | <input type="text"/> | - | <input type="text"/> | - | <input type="text"/> |
| | 120=10' Tube 144=12' Tube 180=15' Tube | | See Note | | Blank=Galv SS=Stainless | | PNC=Process No Color P__=Paint |

Note:
Cable Length: 45", 62", or 84".



Camera Bracket, 2-Piece Extended Tilt & Pan w/ Service Wire Outlet, Alum Triton Band Mount

| | Tube Length In Inches | - | Band Length | - | Clamp Screw | - | Coating |
|---------|--|---|----------------------|---|----------------------------|---|-----------------------------------|
| AS-0614 | <input type="text"/> | - | <input type="text"/> | - | <input type="text"/> | - | <input type="text"/> |
| | 120=10' Tube 144=12' Tube 180=15' Tube | | See Note | | Blank=Galv SS=Stainless | | PNC=Process No Color P__=Paint |

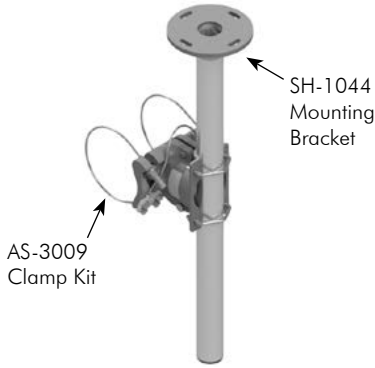
Note:
Band Length: 29", 36", 42", 48", 56", 72", or 84".

- Note: 1. All assemblies are supplied standard with stainless steel fasteners.
2. See T7-20 for bracket size and mounting hole locations.
3. See Reference Section page iv for cable and band clamp kit pole diameters.
4. See Reference Section for available paint colors.



Astro-Brac Camera Bracket COHU Type

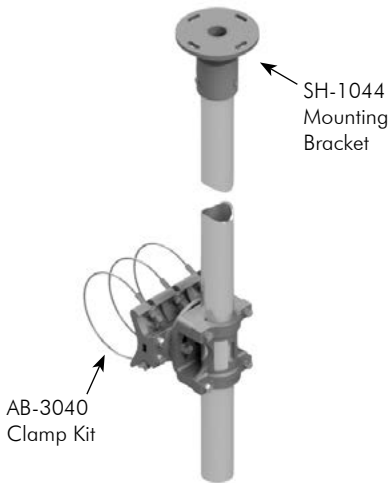
Designed to mount COHU type cameras, the 1-piece or 2-piece brackets have a 4-3/4" mounting bolt circle. Brackets are available with Pelco's Stellar series clamp kits with a 1-15/16" OD tube or the more robust Triton series clamp kits with a 2-3/8" OD tube.



Camera Bracket, COHU Type, Alum Stellar Cable Mount

| | | | | | | | | |
|---------|---|---|---|----------------------|---|----------------------------|---|-----------------------------------|
| AS-0619 | - | <input type="text"/> | - | <input type="text"/> | - | <input type="text"/> | - | <input type="text"/> |
| | | 23=23" Tube 37=37" Tube 46=46" Tube 58=58" Tube 74=74" Tube | | See Note | | Blank=Galv SS=Stainless | | PNC=Process No Color P__=Paint |

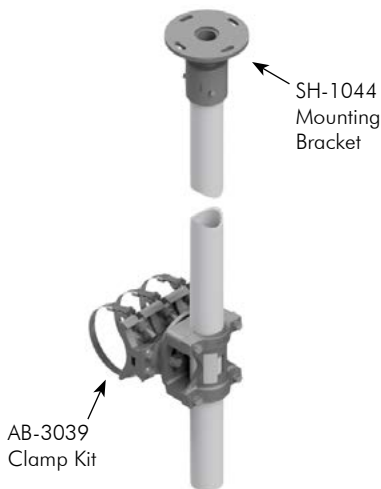
Note:
Cable Length: 62", 84", 96", 110", 120", 132", 144", 220", or 280".



Camera Bracket, COHU Type, Alum Triton Cable Mount

| | | | | | | | | |
|---------|---|--|---|----------------------|---|----------------------------|---|-----------------------------------|
| AB-0628 | - | <input type="text"/> | - | <input type="text"/> | - | <input type="text"/> | - | <input type="text"/> |
| | | 120=10' Tube 144=12' Tube 180=15' Tube | | See Note | | Blank=Galv SS=Stainless | | PNC=Process No Color P__=Paint |

Note:
Cable Length: 45", 62", or 84".



Camera Bracket, COHU Type, Alum Triton Band Mount

| | | | | | | | | |
|---------|---|--|---|----------------------|---|----------------------------|---|-----------------------------------|
| AB-0627 | - | <input type="text"/> | - | <input type="text"/> | - | <input type="text"/> | - | <input type="text"/> |
| | | 120=10' Tube 144=12' Tube 180=15' Tube | | See Note | | Blank=Galv SS=Stainless | | PNC=Process No Color P__=Paint |

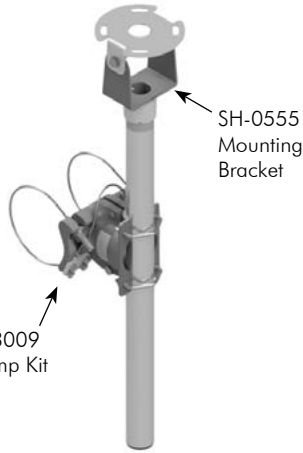
Note:
Band Length: 29", 36", 42", 48", 56", 72", or 84".

- Note: 1. All assemblies are supplied standard with stainless steel fasteners.
2. See T7-21 for bracket size and mounting hole locations.
3. See Reference Section page iv for cable and band clamp kit pole diameters.
4. See Reference Section for available paint colors.



Astro-Brac Camera Bracket COHU Type

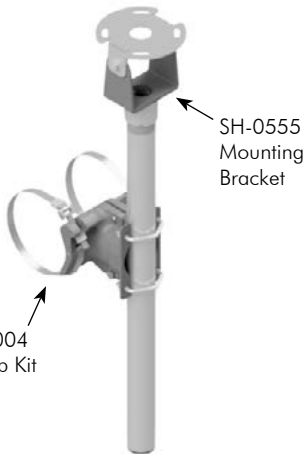
Designed to mount COHU type cameras, the 1-piece or 2-piece brackets have a 4-3/4" mounting bolt circle. Brackets are available with Pelco's Stellar series clamp kits with a 1-15/16" OD tube or the more robust Triton series clamp kits with a 2-3/8" OD tube.



Camera Bracket, 2-Piece COHU Type Adjustable, Alum Stellar Cable Mount

| | | | | | | | | |
|---------|---|--|---|----------------------|---|----------------------------|---|-----------------------------------|
| AS-0682 | - | <input type="text"/> | - | <input type="text"/> | - | <input type="text"/> | - | <input type="text"/> |
| | | Tube Length In Inches | | Cable Length | | Cable | | Coating |
| | | 120=10' Tube 144=12' Tube 180=15' Tube | | See Note | | Blank=Galv SS=Stainless | | PNC=Process No Color P__=Paint |

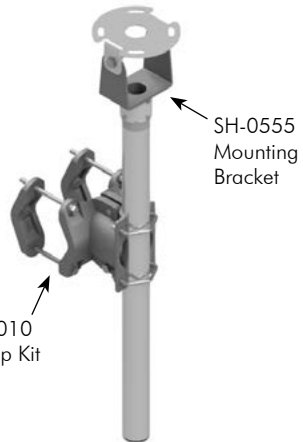
Note:
Cable Length: 62", 84", 96", 110", 120", 132", 144", 220", or 280".



Camera Bracket, 2-Piece COHU Type Adjustable, Alum Stellar Band Mount

| | | | | | | | | |
|---------|---|--|---|----------------------|---|----------------------------|---|-----------------------------------|
| AS-0681 | - | <input type="text"/> | - | <input type="text"/> | - | <input type="text"/> | - | <input type="text"/> |
| | | Tube Length In Inches | | Band Length | | Clamp Screw | | Coating |
| | | 120=10' Tube 144=12' Tube 180=15' Tube | | See Note | | Blank=Galv SS=Stainless | | PNC=Process No Color P__=Paint |

Note:
Band Length: 29", 36", 42", 48", 56", 72", 84", 96", or 114".



Camera Bracket, 2-Piece COHU Type Adjustable, Alum Stellar Tenon Mount

| | | | | |
|---------|---|--|---|-----------------------------------|
| AS-0683 | - | <input type="text"/> | - | <input type="text"/> |
| | | Tube Length In Inches | | Coating |
| | | 120=10' Tube 144=12' Tube 180=15' Tube | | PNC=Process No Color P__=Paint |

Note:
Fits 1.9" to 4.5" diameter.

- Note: 1. All assemblies are supplied standard with stainless steel fasteners.
2. See T7-21 for bracket size and mounting hole locations.
3. See Reference Section page iv for cable and band clamp kit pole diameters.
4. See Reference Section for available paint colors.



Mast Arm Mount

Pelco makes adjustable brackets for cameras, sensors and antennas that can mount a variety of traffic industry devices. Video Detection camera brackets are available for mast arm, post top, span wire or side-of-pole applications.



Camera Bracket, 1-Piece Tilt & Pan, Alum Mast Arm Mount

SH-0510 - Coating
 PNC=Process No Color
 P__=Paint



Camera Bracket, 2-Piece Tilt & Pan, Alum Mast Arm Mount

SH-0501 - Coating
 PNC=Process No Color
 P__=Paint



SH-0514 Mounting Bracket

Camera Bracket, 1-Piece Extended Tilt & Pan, Alum Mast Arm Mount

SH-0509 - - Nipple Length Coating
 06=6" Nipple PNC=Process No Color
 10=10" Nipple P__=Paint
 11=11" Nipple
 12=12" Nipple



SH-0515 Mounting Bracket

Camera Bracket, 2-Piece Extended Tilt & Pan, Alum Mast Arm Mount, Alum

SH-0504 - - Nipple Length Coating
 06=6" Nipple PNC=Process No Color
 10=10" Nipple P__=Paint
 11=11" Nipple
 12=12" Nipple

- Note: 1. All assemblies are supplied standard with stainless steel fasteners.
 2. See T7-20 for bracket size and mounting hole locations.
 3. See Reference Section page iv for cable and band clamp kit pole diameters.
 4. See Reference Section for available paint colors.

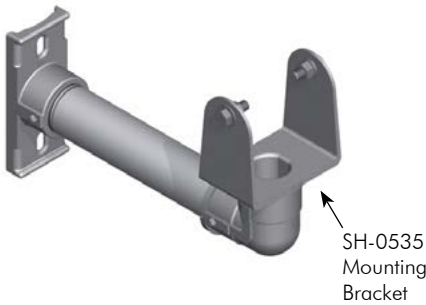


Side-of-Pole Extended Vertical Mount

Pelco makes adjustable brackets for cameras, sensors and antennas that can mount a variety of traffic industry devices. Video Detection camera brackets are available for mast arm, post top, span wire or side-of-pole applications.

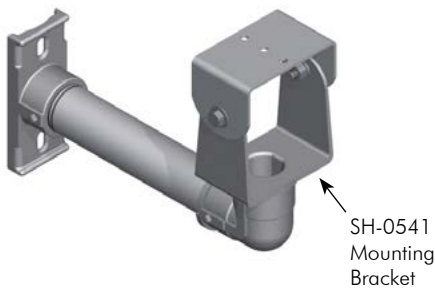


Camera Bracket, 1-Piece Extended Tilt & Pan, Alum Vertical Mount



SH-0527 - -
 Nipple Length Coating
 11=11" Nipple PNC=Process No Color
 12=12" Nipple P__=Paint
 24=24" Nipple

Camera Bracket, 2-Piece Extended Tilt & Pan, Alum Vertical Mount



SH-0503 - -
 Nipple Length Coating
 11=11" Nipple PNC=Process No Color
 12=12" Nipple P__=Paint
 24=24" Nipple

- Note: 1. All assemblies are supplied standard with stainless steel fasteners.
 2. See T7-20 for bracket size and mounting hole locations.
 3. See Reference Section page iv for cable and band clamp kit pole diameters.
 4. See Reference Section for available paint colors.



Post Top Mount

Pelco makes adjustable brackets for cameras, sensors and antennas that can mount a variety of traffic industry devices. Video Detection camera brackets are available for mast arm, post top, span wire or side-of-pole applications.



Camera Bracket, 1-Piece Tilt & Pan, Alum Post Top Mount for 4-1/2" OD Pole



SH-0520 - Coating
PNC=Process No Color
P__=Paint

Camera Bracket, 2-Piece Tilt & Pan, Alum Post Top Mount for 4-1/2" OD Pole



SH-0519 - Coating
PNC=Process No Color
P__=Paint

- Note: 1. All assemblies are supplied standard with stainless steel fasteners.
2. See T7-20 for bracket size and mounting hole locations.
3. See Reference Section page iv for cable and band clamp kit pole diameters.
4. See Reference Section for available paint colors.



Span Wire Mount

Pelco makes adjustable brackets for cameras, sensors and antennas that can mount a variety of traffic industry devices. Video Detection camera brackets are available for mast arm, post top, span wire or side-of-pole applications.



Camera Bracket, 2-Piece Extended Tilt & Pan w/ Service Wire Outlet, Alum Span Wire Mount

| | | | | | | |
|---------|---|----------------------|---|----------------------|---|----------------------|
| SH-0526 | - | <input type="text"/> | - | <input type="text"/> | - | <input type="text"/> |
| | | Tube Length | | Stainless Upgrade | | Coating |
| | | 23=23" Tube | | Blank=Galv | | PNC=Process No Color |
| | | 37=37" Tube | | SS=Stainless | | P__=Paint |
| | | 46=46" Tube | | | | |
| | | 58=58" Tube | | | | |
| | | 74=74" Tube | | | | |



Camera Bracket, 2-Piece Extended Tilt & Pan w/ Service Wire Outlet Span Wire Mount, Alum

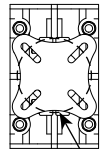
| | | | | | | |
|---------|---|----------------------|---|----------------------|---|----------------------|
| SH-0532 | - | <input type="text"/> | - | <input type="text"/> | - | <input type="text"/> |
| | | Tube Length | | Stainless Upgrade | | Coating |
| | | 23=23" Tube | | Blank=Galv | | PNC=Process No Color |
| | | 37=37" Tube | | SS=Stainless | | P__=Paint |
| | | 46=46" Tube | | | | |
| | | 58=58" Tube | | | | |
| | | 74=74" Tube | | | | |

- Note: 1. All assemblies are supplied standard with stainless fasteners, with galvanized hardware on span wire clamps. Stainless upgrade shall include stainless steel hardware and pins.
 2. See T7-20 for bracket size and mounting hole locations.
 3. See Reference Section for available paint colors.



Orbital Mount

Pelco's Orbital Mount is a versatile and flexible mounting assembly. The ball and socket mechanism provides a 360 degree adjustable mounting solution for a variety of traffic signal devices, including wireless radios and traffic detectors.

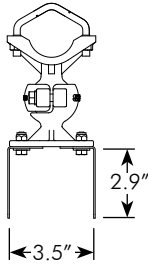
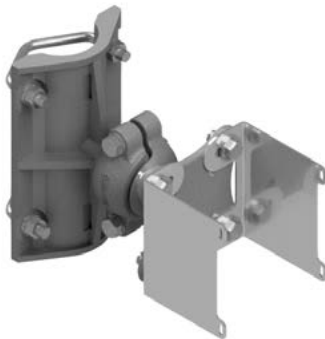


2"-3.5"
Bolt Circle

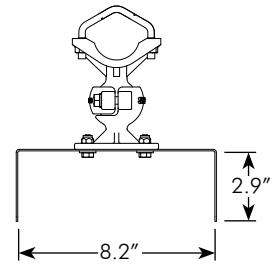
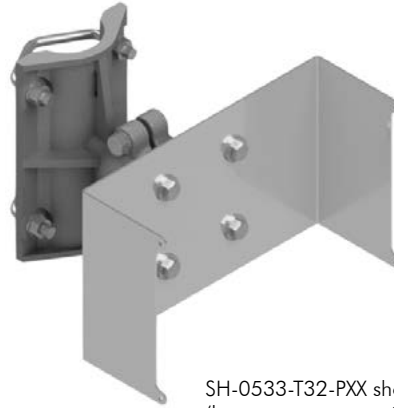
SH-0553-PXX shown
(no detector mount)

Bracket Assy, Universal Orbital Mount, Alum

| | | | |
|---------|---------------------------------|---|--------------------------|
| | Detector Mount | | Coating |
| SH-0553 | - <input type="checkbox"/> | - | <input type="checkbox"/> |
| | Blank=None | | PNC=Process No Color |
| | T29T30=Med/Long Range Wide View | | P__=Paint |
| | T32 =Long Range Narrow View | | |



SH-0553-T29T30-PXX shown
(medium & long range wide view detector mount)



SH-0553-T32-PXX shown
(long range narrow view detector mount)

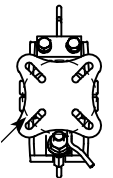
Bracket Assy, Universal Orbital Mount, Cable Mini-Brac, Alum



| | | | |
|---------|----------------------------|----------------------------|-----------------------------------|
| | Cable Length | Cable | Coating |
| SH-0554 | - <input type="checkbox"/> | - <input type="checkbox"/> | - <input type="checkbox"/> |
| | See Note | Blank=Galv SS=Stainless | PNC=Process No Color P__=Paint |

Note:
Cable Length: 45", 62", or 84".

2"-3.5" bolt circle



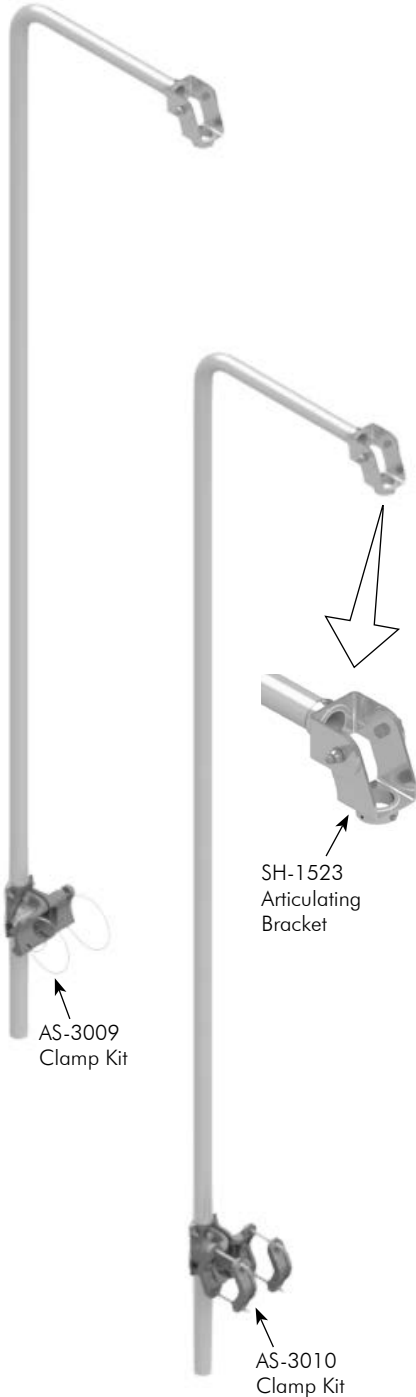
Note: 1. All assemblies are supplied standard with stainless steel fasteners.
2. See Reference Section for available paint colors.



Astro-Brac Camera Bracket

Dome Type

Designed to mount the dome type cameras, these articulating brackets are available with Pelco's Stellar series clamp kits with a 1-15/16" OD bent tube.



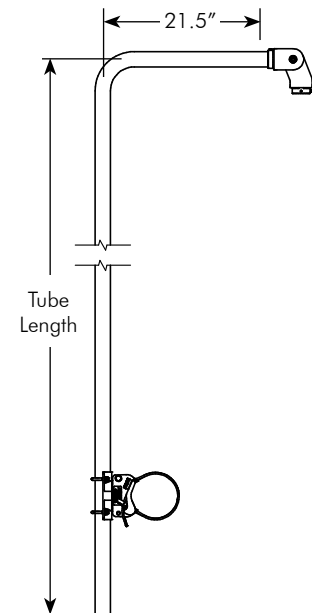
Camera Bracket, Dome Camera Type, Alum 1-1/2" NPS x 120" Sch 40 Alum Bent Tube Stellar Cable Mount

| | | | | | | | | |
|---------|---|---|---|----------------------|---|----------------------------|---|-----------------------------------|
| AS-0687 | - | <input type="text"/> | - | <input type="text"/> | - | <input type="text"/> | - | <input type="text"/> |
| | | Tube Length | | Cable Length | | Cable | | Coating |
| | | 60=60" Tube 96=96" Tube 120=120" Tube | | See Note | | Blank=Galv SS=Stainless | | PNC=Process No Color P__=Paint |

Note:
Cable Length: 62", 84", 96", 110", 120", 132", 144", 220", or 280".

Camera Bracket, Dome Camera Type, Alum 1-1/2" NPS x 120" Bent Tube Stellar Tenon Mount

| | | | | |
|---------|---|---|---|-----------------------------------|
| AS-0686 | - | <input type="text"/> | - | <input type="text"/> |
| | | Tube Length | | Coating |
| | | 60=60" Tube 96=96" Tube 120=120" Tube | | PNC=Process No Color P__=Paint |



- Note: 1. All assemblies are supplied standard with stainless fasteners.
2. See Reference Section page iv for cable clamp kit pole diameters.
3. See Reference Section for available paint colors.



CAMERA MOUNTS

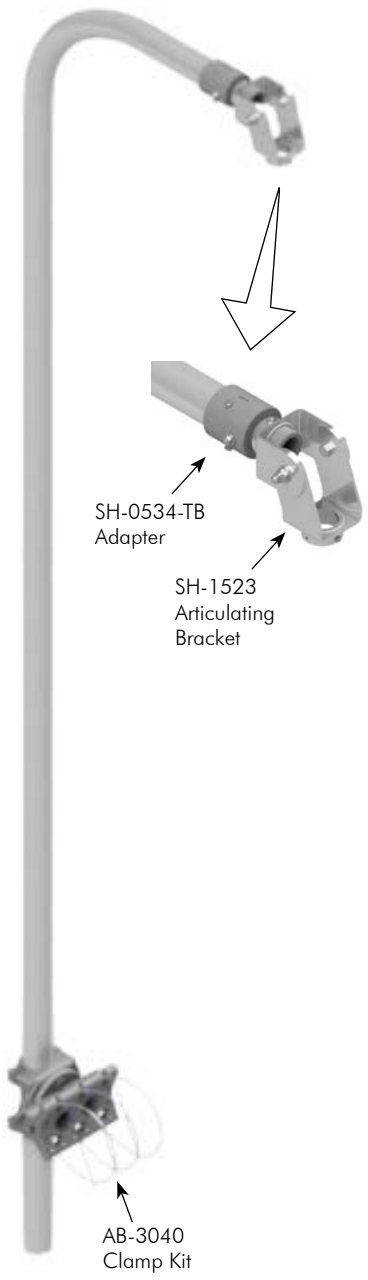
Astro-Brac Camera Bracket Dome Type

Designed to mount the dome type cameras, this articulating bracket is available with Pelco's more robust Triton series clamp kit with a 2-3/8" OD bent tube.



pelco CAMERA MTGS
PELCO PRODUCTS, INC.

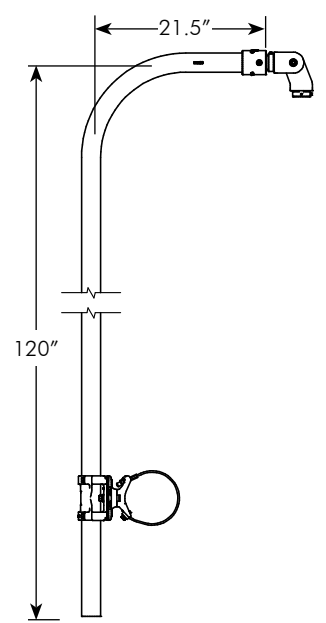
Camera Bracket, Dome Camera Type, Alum 2" NPS x 120" Sch 40 Alum Bent Tube Triton Cable Mount



AB-0680 - - -

See Note Blank=Galv PNC=Process No Color
 SS=Stainless P_ =Paint

Note:
Cable Length: 45", 62", 84"



- Note: 1. All assemblies are supplied standard with stainless fasteners.
2. See Reference Section page iv for cable clamp kit pole diameters.
3. See Reference Section for available paint colors.



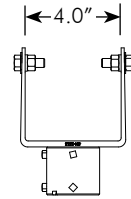
Camera Bracket

Pelco's manufactures 1-piece and 2-piece brackets for various camera styles. Special brackets with mounting holes other than listed below are available upon request.



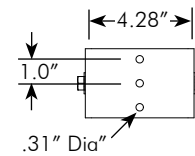
Camera Bracket, 1-Piece Tilt & Pan, Alum 1-1/2" NPS Internal Threads

SH-0514 - Coating
PNC=Process No Color
P__=Paint



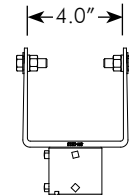
Camera Bracket, 2-Piece Tilt & Pan, Alum 1-1/2" NPS Internal Threads

SH-0515 - Coating
PNC=Process No Color
P__=Paint



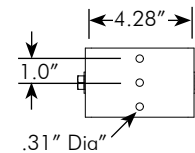
Camera Bracket, 1-Piece Tilt & Pan, Alum 1-1/2" NPS External Threads

SH-0535 - Coating
PNC=Process No Color
P__=Paint



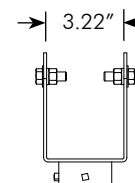
Camera Bracket, 2-Piece Tilt & Pan, Alum 1-1/2" NPS External Threads

SH-0541 - Coating
PNC=Process No Color
P__=Paint



Camera Bracket, 1-Piece Tilt & Pan, Alum 1-1/2" NPS Internal Threads

SH-0537 - Coating
PNC=Process No Color
P__=Paint



- Note: 1. All assemblies are supplied standard with stainless steel fasteners.
2. Special brackets available upon request.
3. See Reference Section for available paint colors.



Camera Bracket

Pelco's manufactures 1-piece and 2-piece brackets for various camera styles. Special brackets with mounting holes other than listed below are available upon request.



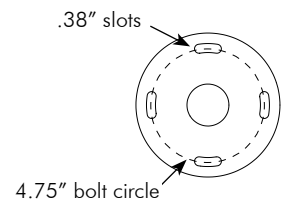
Camera Bracket, Offset Articulating, 1-1/2" NPS, Alum

SH-1523 - Coating
 PNC=Process No Color
 P__=Paint

Camera Bracket, Pole Top 1-1/2" NPS 4-3/4" Bolt Circle for COHU Camera, Alum



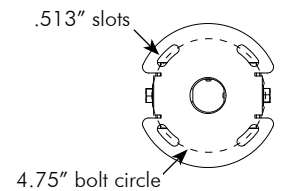
SH-1044 - Coating
 PNC=Process No Color
 P__=Paint



Camera Bracket, Pole Top 2-Piece, 1-1/2" NPS 4-3/4" Bolt Circle for COHU Camera, Alum



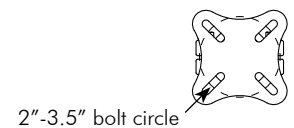
SH-0555 - Coating
 PNC=Process No Color
 P__=Paint



Orbital Ball Mount, 1-1/2" NPS External Threads 2" to 3-1/2" BC, Alum



SH-0556 - Coating
 PNC=Process No Color
 P__=Paint



- Note: 1. All assemblies are supplied standard with stainless steel fasteners.
 2. Special brackets available upon request.
 3. See Reference Section for available paint colors.



IntelliCross APS

The IntelliCross APS is the state-of-the-art solution for solving pedestrian traffic challenges. The IntelliCross turns a pre-timed pedestrian intersection into a fully actuated intersection. Pre-loaded or custom audio messages with remote or local configuration access are only two of the many key features of Pelco's intelligent pedestrian system. Contact Pelco for additional information.



APS Assy, IntelliCross w/ Single Arrow, for 5" x 7-3/4" Sign, Alum

SE-2900 - Coating
 PNC=Process No Color
 P__=Paint

APS Assy, IntelliCross w/ Single Arrow, Custom Configured for 5" x 7-3/4" Sign, Alum

SE-2901 - Coating
 PNC=Process No Color
 P__=Paint

Note:
 Power Interface Module included.
 Pedestrian signs, sign adapters, and double arrow kits sold separately.



CIU, Communication Interface Unit, Compact for APS IntelliCross Button

SE-6172-PNC

Note:
 CUI is optional. Only required for advanced features.

- Note: 1. All assemblies are supplied standard with stainless steel fasteners.
 2. For pedestrian signs available refer to pages T8-23 through T8-25.
 3. See Reference Section for available paint colors.



IntelliCross APS

The IntelliCross APS is the state-of-the-art solution for solving pedestrian traffic challenges. The IntelliCross turns a pre-timed pedestrian intersection into a fully actuated intersection. Pre-loaded or custom audio messages with remote or local configuration access are only two of the many key features of Pelco's intelligent pedestrian system. Contact Pelco for additional information.



Adapter Assy, 9" x 15", w/ Hardware IntelliCross, Alum

SE-2174 - Coating
PNC=Process No Color
P__=Paint



Adapter Assy, 9" x 12", w/ Hardware IntelliCross, Alum

SE-2171 - Coating
PNC=Process No Color
P__=Paint



Adapter Assy, 9" x 3", w/ Hardware IntelliCross, Alum

SE-2175 - Coating
PNC=Process No Color
P__=Paint



Arrow, Double for APS IntelliCross Push Button, w/ Hardware, Alum

SE-6170-2 - Coating
P__=Paint

Note: 1. All assemblies are supplied standard with stainless steel fasteners.
2. See Reference Section for available paint colors.



PUSH BUTTONS



Modular Station Kits

The unique line of modular push button stations provide flexibility by adapting various size sign stations to round or oval push button cover assemblies. Stations can be ordered as a complete unit or as modular kits to assemble for variations in sign size and push button covers.



SE-2132-15-PLD-P29 shown.
 Modular Push Button Station Assy, 9" x 15"
 Piezo Passport w/ LED, Alum, Federal Yellow

| | | | |
|--|--|--|--|
| | | | 9" x 3" Modular Kit (attaches to 9"x12" for a 9" x 15" sign) |
| | 5" x 7-3/4" Modular Kit | 9" x 12" Modular Kit | 9" x 12" Modular Kit |
| | | | |
| | Coating SE-6193 - <input type="text"/> PNC=Process No Color P__=Paint | Coating SE-6121 - <input type="text"/> PNC=Process No Color P__=Paint | Coating SE-6123 - <input type="text"/> PNC=Process No Color P__=Paint |

| | | |
|--|--|--|
| Oval Cover Adapter Kit | 2-Hole Cover Adapter Kit | 4-Hole Cover Adapter Kit |
| | | |
| Coating SE-6124 - <input type="text"/> PNC=Process No Color P__=Paint | Coating SE-6122 - <input type="text"/> PNC=Process No Color P__=Paint | Coating SE-6189 - <input type="text"/> PNC=Process No Color P__=Paint |

| | | |
|--|--|--|
| | Note: For a complete selection of cover assemblies available see pages T8-10 and T8-15. | |
| Oval w/ Directional Arrow Cover Assy Piezo or Mechanical | | |
| | Round Cover Assy, 2-Hole Mount Piezo or Mechanical | Round Cover Assy, 4-Hole Mount Piezo |

Note: 1. All assemblies are supplied standard with stainless steel fasteners.
 2. For pedestrian signs available refer to pages T8-23 through T8-25.
 3. See Reference Section for available paint colors.



Modular Station Assembly Piezo Switch

These unique Pelco push button stations feature a versatile modular design that provides flexibility by adapting different push button cover assemblies, both latching and non-latching, to multiple size sign stations.



SE-2132-7-PLED-P29 shown.



SE-2132-12-PLED-P29 shown.

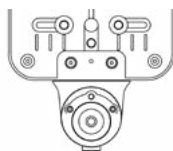


SE-2132-15-P4HLED-P29 shown.

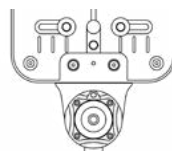
Modular Push Button Station Assy, Piezo Switch, Alum

| | Size | Button | Coating |
|---------|---|---|-----------------------------------|
| SE-2132 | - - | - | |
| | 7=5" x 7-3/4" 12=9"x12" 15=9"x15" | P=Piezo PLED=Piezo w/ LED PLED-LCH=Piezo w/ Latching LED P4H= Piezo 4-Hole P4HLED=Piezo 4-Hole w/ LED P4HLED-LCH= Piezo 4-Hole w/ Latching LED | PNC=Process No Color P__=Paint |

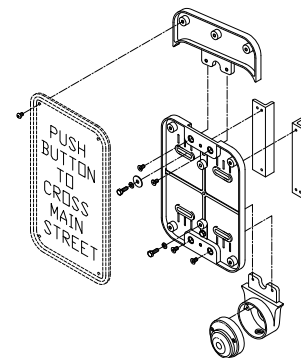
Note:
Latching option requires SE-1041 Controller Assy.



2-Hole Cover



4-Hole Cover



Modular Station
(sign sold separately)

- Note:
1. All assemblies are supplied standard with stainless steel fasteners.
 2. Latching units are latched on during the "Don't Walk" cycle with the addition of the SE-1041 controller.
 3. For pedestrian signs available refer to pages T8-23 through T8-25.
 4. See Reference Section for available paint colors.



Modular Station Assembly Oval w/ Directional Arrow Piezo Switch

These unique Pelco push button stations feature a versatile modular design that provides flexibility by adapting different push button cover assemblies, both latching and non-latching, to multiple size sign stations.



Modular Push Button Station Assy, Oval w/ Directional Arrow Piezo Switch, Alum



SE-2134-7-PLED-1-P29 shown.

| Size | Button | Arrow | Coating |
|---|---|----------------------------|-----------------------------------|
| SE-2134 - <input type="checkbox"/> | - <input type="checkbox"/> | - <input type="checkbox"/> | - <input type="checkbox"/> |
| 7=5" x 7-3/4" 12=9"x12" 15=9"x15" | PLED=Piezo w/ LED PLED-LCH=Piezo w/ Latching LED | 1=Single 2=Double | PNC=Process No Color P__=Paint |

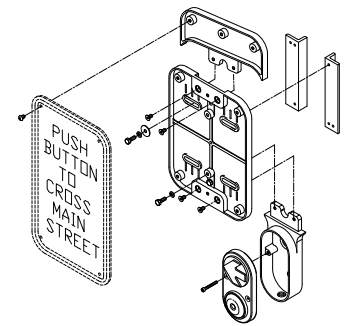
Note:
Latching option requires SE-1041 Controller Assy.



SE-2134-12-PLED-1-P29 shown.



SE-2134-15-PLED-LCH-2-P29 shown.



Modular Station
(sign sold separately)

- Note:
1. All assemblies are supplied standard with stainless steel fasteners.
 2. Latching units are latched on during the "Don't Walk" cycle with the addition of the SE-1041 controller.
 3. For pedestrian signs available refer to pages T8-23 through T8-25.
 4. See Reference Section for available paint colors.



This page is intentionally left blank.

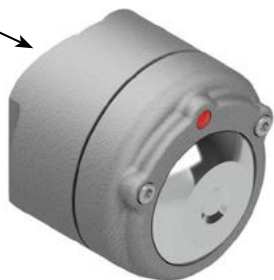


Push Button Assembly, Passport Piezo Switch

The Passport Pedestrian Push Button is Piezo based, utilizing the latest technology. It's durable impact and vandal resistant construction, made of die cast aluminum and stainless steel, is virtually weatherproof. Available in 2-hole or 4-hole mount and with or without LED. Contact Pelco for information on customizing the button with a laser etched logo.



SE-2137 Body



Push Button Assy, Passport Pole Mount, Alum Piezo Switch w/ LED

SE-2120 - Latching - Coating

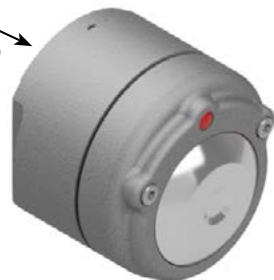
Blank=Non-Latching PNC=Process No Color
LCH=Latching P__=Paint

Note:
Latching option requires SE-1041 Controller Assy.



Pole Mount

SE-2137 Body & SE-0279 Adapter



Push Button Assy, Passport Flat Back Mount, Alum Piezo Switch w/ LED

SE-2154 - Latching - Coating

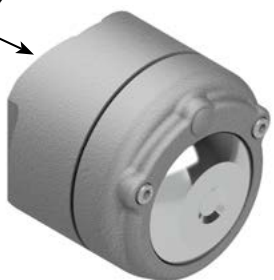
Blank=Non-Latching PNC=Process No Color
LCH=Latching P__=Paint

Note:
Latching option requires SE-1041 Controller Assy.



Flat Back Mount

SE-2137 Body



Push Button Assy, Passport Pole Mount, Alum Piezo Switch w/o LED

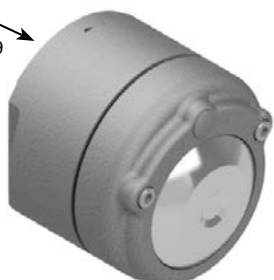
SE-2165 - Coating

PNC=Process No Color
P__=Paint



Pole Mount

SE-2137 Body & SE-0279 Adapter



Push Button Assy, Passport Flat Back Mount, Alum Piezo Switch w/o LED

SE-2166 - Coating

PNC=Process No Color
P__=Paint



Flat Back Mount

Note: 1. All assemblies are supplied standard with stainless steel fasteners.
2. Latching units are latched on during the "Don't Walk" cycle with the addition of the SE-1041 controller.
3. See Reference Section for available paint colors.

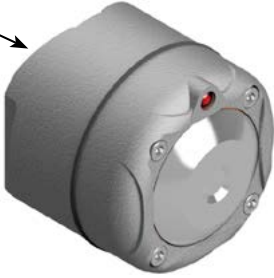


Push Button Assembly, Passport Piezo Switch

The Passport Pedestrian Push Button is Piezo based, utilizing the latest technology. It's durable impact and vandal resistant construction, made of die cast aluminum and stainless steel, is virtually weatherproof. Available in 2-hole or 4-hole mount and with or without LED. Contact Pelco for information on customizing the button with a laser etched logo.



SE-2176
Body



Passport Push Button Assy, Alum Pole Mount, 4-Hole Cover w/ LED

SE-2170 - Latching - Coating

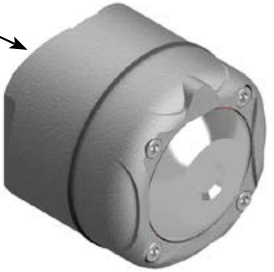
Blank=Non-Latching PNC=Process No Color
LCH=Latching P__=Paint

Note:
Latching option requires SE-1041 Controller Assy.



Pole Mount

SE-2176
Body



Passport Piezo Push Button Assy, Alum Pole Mount, 4-Hole Cover w/o LED

SE-2178 - Coating

PNC=Process No Color
P__=Paint



Flat Back Mount

PUSH BUTTONS



- Note: 1. All assemblies are supplied standard with stainless steel fasteners.
2. Latching units are latched on during the "Don't Walk" cycle with the addition of the SE-1041 controller.
3. See Reference Section for available paint colors.



Push Button Assembly Oval w/ Directional Arrow Piezo Switch

Pelco's Piezo oval push button with directional arrow is available for round pole or flat back mounting. The oval push button has the option of a single or double adjustable arrow and with or without an LED indicator.



Push Button Assy, Pole Mount, Alum Oval w/ Directional Arrow Piezo Switch w/ LED



SE-2162 - - -

Arrow Latching Coating
 1=Single Arrow Blank=Non-Latching PNC=Process No Color
 2=Double Arrow LCH=Latching P__=Paint

Note:
Latching option requires SE-1041 Controller Assy.



Pole Mount

Push Button Assy, Flat Back Mount, Alum Oval w/ Directional Arrow Piezo Switch w/ LED



SE-2163 - - -

Arrow Latching Coating
 1=Single Arrow Blank=Non-Latching PNC=Process No Color
 2=Double Arrow LCH=Latching P__=Paint

Note:
Latching option requires SE-1041 Controller Assy.



Flat Back Mount

- Note: 1. All assemblies are supplied standard with stainless steel fasteners.
 2. Latching units are latched on during the "Don't Walk" cycle with the addition of the SE-1041 controller.
 3. See Reference Section for available paint colors.



Cover Assembly Piezo Switch

The Passport Pedestrian Push Button is Piezo based, utilizing the latest technology. It's durable impact and vandal resistant construction, made of die cast aluminum and stainless steel, is virtually weatherproof. Available in 2-hole or 4-hole mount and with or without LED. Contact Pelco for information on customizing the button with a laser etched logo.



PUSH BUTTONS

pelco
PELCO PRODUCTS, INC.



Cover Assy, Passport Piezo Push Button w/ LED

SE-2119 - Latching - Coating

Blank=Non-Latching PNC=Process No Color
LCH=Latching P__=Paint

Note: Latching option requires SE-1041 Controller Assy.



Cover Assy, Passport Piezo Push Button w/o LED

SE-2164 - Coating

PNC=Process No Color
P__=Paint



Cover Assy, Passport Piezo Push Button 4-Hole Mount w/ LED

SE-2172 - Latching - Coating

Blank=Non-Latching PNC=Process No Color
LCH=Latching P__=Paint

Note: Latching option requires SE-1041 Controller Assy.



Cover Assy, Passport Piezo Push Button 4-Hole Mount w/o LED

SE-2179 - Latching - Coating

Blank=Non-Latching PNC=Process No Color
LCH=Latching P__=Paint



Cover Assy, Oval Piezo Push Button w/ Directional Arrow & LED

SE-2161 - Arrow Latching Coating

1=Single Arrow Blank=Non-Latching PNC=Process No Color
2=Double Arrow LCH=Latching P__=Paint

Note:
Latching option requires SE-1041 Controller Assy.

- Note: 1. All assemblies are supplied standard with stainless steel fasteners.
2. Latching units are latched on during the "Don't Walk" cycle with the addition of the SE-1041 controller.
3. See Reference Section for available paint colors.



Modular Station Assembly Mechanical Switch

These unique Pelco push button stations feature a versatile modular design that provides flexibility by adapting different push button cover assemblies, both latching and non-latching, to multiple size sign stations.



SE-2132-7-M-P29 shown.



SE-2132-12-M-P29 shown.

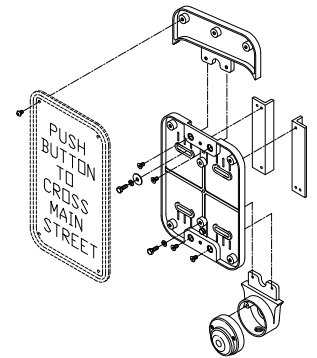


SE-2132-15-MLED-LCH-P29 shown.

Modular Push Button Station Assy, Mechanical Switch, Alum

| | | | | | | |
|---------|---|---------------|---|--------------------------------|---|----------------------|
| SE-2132 | - | Size | - | Button | - | Coating |
| | | 7=5" x 7-3/4" | | M=Mechanical | | PNC=Process No Color |
| | | 12=9"x12" | | MLED-LCH= Mech w/ Latching LED | | P__=Paint |
| | | 15=9"x15" | | | | |

Note:
Latching option requires SE-1013 Latch Assy or SE-1041 Controller Assy.



9" x 15" Modular Station shown
(sign sold separately)

- Note: 1. All assemblies are supplied standard with stainless steel fasteners.
 2. Latching units are latched on during the "Don't Walk" cycle with the addition of SE-1041 or SE-1013 controller.
 3. For pedestrian signs available refer to pages T8-23 through T8-25.
 4. See Reference Section for available paint colors.



Modular Station Assembly Oval w/ Directional Arrow Mechanical Switch

These unique Pelco push button stations feature a versatile modular design that provides flexibility by adapting different push button cover assemblies, both latching and non-latching, to multiple size sign stations.



PUSH BUTTONS



SE-2134-7-M-1-P29 shown.

Modular Push Button Station Assy, Oval w/ Directional Arrow Mechanical Switch, Alum

| | | | | | | | | |
|---------|---|---------------|---|--------------------------------|---|----------|---|----------------------|
| SE-2134 | - | Size | - | Button | - | Arrow | - | Coating |
| | | 7=5" x 7-3/4" | | M=Mechanical | | 1=Single | | PNC=Process No Color |
| | | 12=9"x12" | | MLED-LCH= Mech w/ Latching LED | | 2=Double | | P__=Paint |
| | | 15=9"x15" | | | | | | |

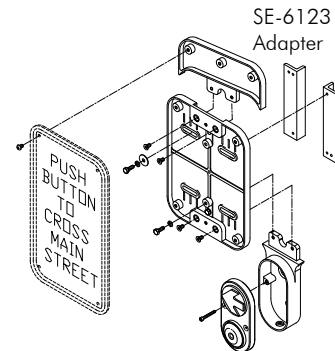
Note:
Latching option requires SE-1013 Latch Assy or SE-1041 Controller Assy.



SE-2134-12-MLED-LCH-1-P29 shown.



SE-2134-15-MLED-LCH-2-P29 shown.



9" x 15" Modular Station shown
(sign sold separately)

- Note:
1. All assemblies are supplied standard with stainless steel fasteners.
 2. Latching units are latched on during the "Don't Walk" cycle with the addition of the SE-1041 or SE-1013 controller.
 3. For pedestrian signs available refer to pages T8-23 through T8-25.
 4. See Reference Section for available paint colors.



Push Button Assembly Mechanical Switch

Pelco has a full line of ADA compliant pedestrian push buttons and stations, mechanical and Piezo, that are available with or without LED indicators. Contact Pelco for information on additional push button assemblies not shown in the catalog.



PUSH BUTTONS

SE-2137
Body



Round Push Button Assy, Pole Mount, Alum Mechanical Switch

SE-2005 - Button - Coating

M=Mechanical PNC=Process No Color
MLED-LCH= Mech w/ Latching LED P_=_Paint



Pole Mount

Note:
Latching option requires SE-1013 Latch Assy or SE-1041 Controller Assy.

SE-2137
Body &
SE-0279
Adapter



Round Push Button Assy, Flat Back, Alum Mechanical Switch

SE-2006 - Button - Coating

M=Mechanical PNC=Process No Color
MLED-LCH= Mech w/ Latching LED P_=_Paint



Flat Back Mount

Note:
Latching option requires SE-1013 Latch Assy or SE-1041 Controller Assy.

SE-2141
Body



Rectangular Push Button Assy, Pole Mount, Alum Mechanical Switch

SE-2000 - Button - Coating

M=Mechanical PNC=Process No Color
MLED-LCH= Mech w/ Latching LED P_=_Paint



Pole Mount

Note:
Latching option requires SE-1013 Latch Assy or SE-1041 Controller Assy.

SE-2139
Body



Rectangular Push Button Assy, Flat Back, Alum Mechanical Switch

SE-2001 - Button - Coating

M=Mechanical PNC=Process No Color
MLED-LCH= Mech w/ Latching LED P_=_Paint



Flat Back Mount

Note:
Latching option requires SE-1013 Latch Assy or SE-1041 Controller Assy.

- Note: 1. All assemblies are supplied standard with stainless steel fasteners.
2. Latching units are latched on during the "Don't Walk" cycle with the addition of the SE-1041 or SE-1013 controller.
3. See Reference Section for available paint colors.



ADA w/ Directional Arrow Mechanical Switch

Pelco has a full line of ADA compliant pedestrian push buttons and stations, mechanical and Piezo, that are available with or without LED indicators. Contact Pelco for information on additional push button assemblies not shown in the catalog.



Push Button Assy, Pole Mount, Alum Oval w/ Directional Arrow Mechanical Switch

SE-2039 - - -
 M=Mechanical 1=Single Arrow PNC=Process No Color
 MLED-LCH= Mech w/ Latching LED 2=Double Arrow P__=Paint



Pole Mount

Note:
Latching option requires SE-1013 Latch Assy or SE-1041 Controller Assy.

Push Button Assy, Flat Back Mount, Alum Oval w/ Directional Arrow Mechanical Switch



SE-2040 - - -
 M=Mechanical 1=Single Arrow PNC=Process No Color
 MLED-LCH= Mech w/ Latching LED 2=Double Arrow P__=Paint



Flat Back Mount

Note:
Latching option requires SE-1013 Latch Assy or SE-1041 Controller Assy.

Note: 1. All assemblies are supplied standard with stainless steel fasteners.
 2. Latching units are latched on during the "Don't Walk" cycle with the addition of the SE-1041 or SE-1013 controller.
 3. See Reference Section for available paint colors.



PUSH BUTTONS

Push Button Cover Mechanical Switch

Pelco has a full line of ADA compliant pedestrian push buttons and stations, mechanical and Piezo, that are available with or without LED indicators. Contact Pelco for information on additional push button assemblies not shown in the catalog.



Cover Assy, Round Push Button Mechanical

SE-2009 - M -

Button Coating
 PNC=Process No Color
 P__=Paint



Cover Assy, Round Push Button Mechanical, Latching LED

SE-2009 - MLED - LCH -

Button Latching Coating
 PNC=Process No Color
 P__=Paint

Note:
Requires SE-1013 Latch Assy or SE-1041 Controller Assy.



Cover Assy, Rectangular Push Button Mechanical

SE-2015 - M -

Button Coating
 PNC=Process No Color
 P__=Paint



Cover Assy, Rectangular Push Button Mechanical, Latching LED

SE-2015 - MLED - LCH -

Button Latching Coating
 PNC=Process No Color
 P__=Paint

Note:
Requires SE-1013 Latch Assy or SE-1041 Controller Assy.



Cover Assy, Oval Push Button Mechanical w/ Directional Arrow

SE-2048 - - -

Button Arrow Coating
 M=Mechanical 1=Single Arrow PNC=Process No Color
 MLED-LCH= Mech w/ Latching LED 2=Double Arrow P__=Paint

Note:
Latching option requires SE-1013 Latch Assy or SE-1041 Controller Assy.

- Note: 1. All assemblies are supplied standard with stainless steel fasteners.
 2. Latching units are latched on during the "Don't Walk" cycle with the addition of the SE-1041 or SE-1013 controller.
 3. See Reference Section for available paint colors.



5" x 7-3/4" Station Mechanical Switch

Pelco's fixed pedestrian stations are available with attachable signs or cast legends. A wide variety of pedestrian signs, including Braille, are available in various sizes.



Push Button Station Assy, Rectangular 5" x 7-3/4" Blank Face, Alum Mechanical Switch

SE-2037 - M -
 Button Coating
 PNC=Process No Color
 P_ =Paint



Top View



Push Button Station Assy, Rectangular 5" x 7-3/4" Cast Legend, Alum Mechanical Switch

SE-2038 - - M - -
 Sign Face Button Legend Color Coating
 1030 106=Black Ink PNC=Process No Color
 1031 107=White Ink P_ =Paint
 1032 110=Silver Ink
 1039
 *See Below



Top View



Push Button Station Assy, 9" x 12" Cast Legend, Alum Mechanical Switch

SE-2089 - - M - -
 Sign Face Button Legend Color Coating
 1030 106=Black Ink PNC=Process No Color
 1031 107=White Ink P_ =Paint
 1032 110=Silver Ink
 1039
 *See Below

*Cast Sign Face Options:

| Legend (Ink) | Body (Paint) | Color Combination |
|--------------|--------------|-------------------|
| -106 | -PNC | Black on Natural |
| -106 | -PXX | Black on Paint |
| -107 | -PXX | Silver on Paint |
| -110 | -PXX | Silver on Paint |



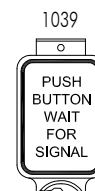
Left Man/Left Arrow



Right Man/Right Arrow



Right Man/Double Arrow



Instruction



Top View

Note: 1. All assemblies are supplied standard with stainless steel fasteners.
 2. For pedestrian signs available refer to pages T8-23 through T8-25.
 3. See Reference Section for available paint colors.



Modular Station Body

These unique Pelco push button stations feature a versatile modular design that provides flexibility by adapting different push button cover assemblies to multiple size sign stations. The 9" x 12" station can easily be converted to 9" x 15" station by adding a 3" x 12" adapter kit.



SE-2142 -

| |
|---------------|
| Size |
| 7=5" x 7-3/4" |
| 12=9"x12" |
| 15=9"x15" |

 -

| |
|----------------------|
| Coating |
| PNC=Process No Color |
| P__=Paint |

Modular Sign Station Body Assy, Alum For Round 2-Hole Push Buttons



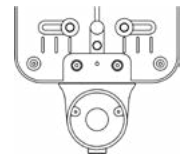
SE-2142-7-P33



SE-2142-12-P33



SE-2142-15-P33



2-Hole Cover

SE-2147 -

| |
|---------------|
| Size |
| 7=5" x 7-3/4" |
| 12=9"x12" |
| 15=9"x15" |

 -

| |
|----------------------|
| Coating |
| PNC=Process No Color |
| P__=Paint |

Modular Sign Station Body Assy, Alum For Round 4-Hole Push Button



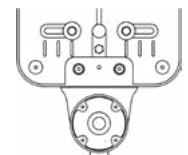
SE-2147-7-P33



SE-2147-12-P33



SE-2147-15-P33



4-Hole Cover

- Note: 1. All assemblies are supplied standard with stainless steel fasteners.
 2. For pedestrian signs available refer to pages T8-23 through T8-25.
 3. See Reference Section for available paint colors.



Modular Station Body

These unique Pelco push button stations feature a versatile modular design that provides flexibility by adapting different push button cover assemblies to multiple size sign stations. The 9" x 12" station can easily be converted to 9" x 15" station by adding a 3" x 12" adapter kit.



PUSH BUTTONS

SE-2144 -

| |
|---------------|
| Size |
| 7=5" x 7-3/4" |
| 12=9"x12" |
| 15=9"x15" |

 -

| |
|----------------------|
| Coating |
| PNC=Process No Color |
| P__=Paint |

Modular Sign Station Body Assy, Alum For Oval Push Buttons w/ Directional Arrows



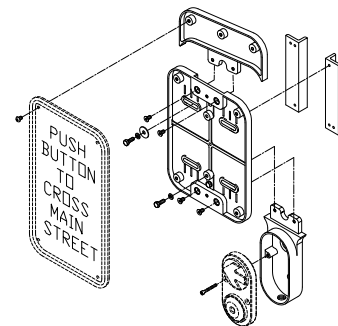
SE-2144-7-P33



SE-2144-12-P33



SE-2144-15-P33



9" x 15" Modular Station shown
(sign and cover sold separately)

- Note: 1. All assemblies are supplied standard with stainless steel fasteners.
2. For pedestrian signs available refer to pages T8-23 through T8-25.
3. See Reference Section for available paint colors.



9" x 12" Station Adapter

Pelco's station adapter is for use with 9"x12" stations where there is a need for mounting stations at 90° from each other on a small diameter pole. Available for the round or oval push button stations.



Adapter, Double Push Button Station, 9" x 12" for Round Push Button & 4-1/2" OD Pole, Alum

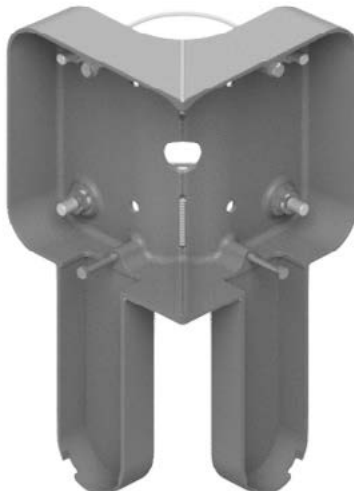
SE-6042 - -

Mount Coating

Blank=Bolt Mount PNC=Process No Color

CM=Cable Mount P__=Paint

Note:
For station assemblies with round push button.



Adapter, Double Push Button Station, 9" x 12" for Oval Push Button & 4-1/2" OD Pole, Alum

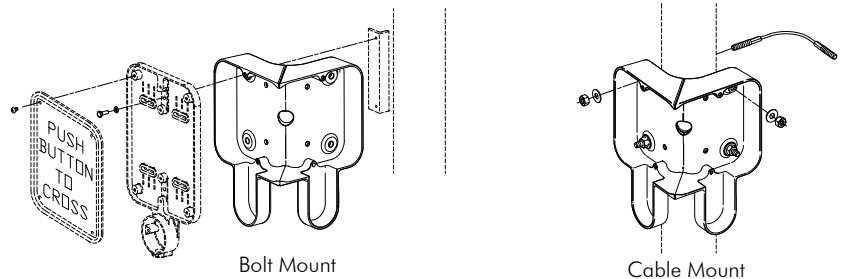
SE-6109 - -

Mount Coating

Blank=Bolt Mount PNC=Process No Color

CM=Cable Mount P__=Paint

Note:
For station assemblies with oval push button.



- Note: 1. All assemblies are supplied standard with stainless steel fasteners.
 2. For pedestrian signs available refer to pages T8-23 through T8-25.
 3. See Reference Section for available paint colors.

This page is intentionally left blank.



Latching Controller Assembly

The Pelco Latching Push Button Assembly provides visual confirmation to the pedestrian that a pedestrian call has been placed. An LED located on the Pedestrian Push Button illuminates when pressed, and stays illuminated until the "Walk Signal" is energized by the Traffic Controller. The Latching Push Button Controller also provides electrical isolation between the Push Buttons and Controller.



SE-1041-PNC Controller Assy, Latching Pushbutton, Alum

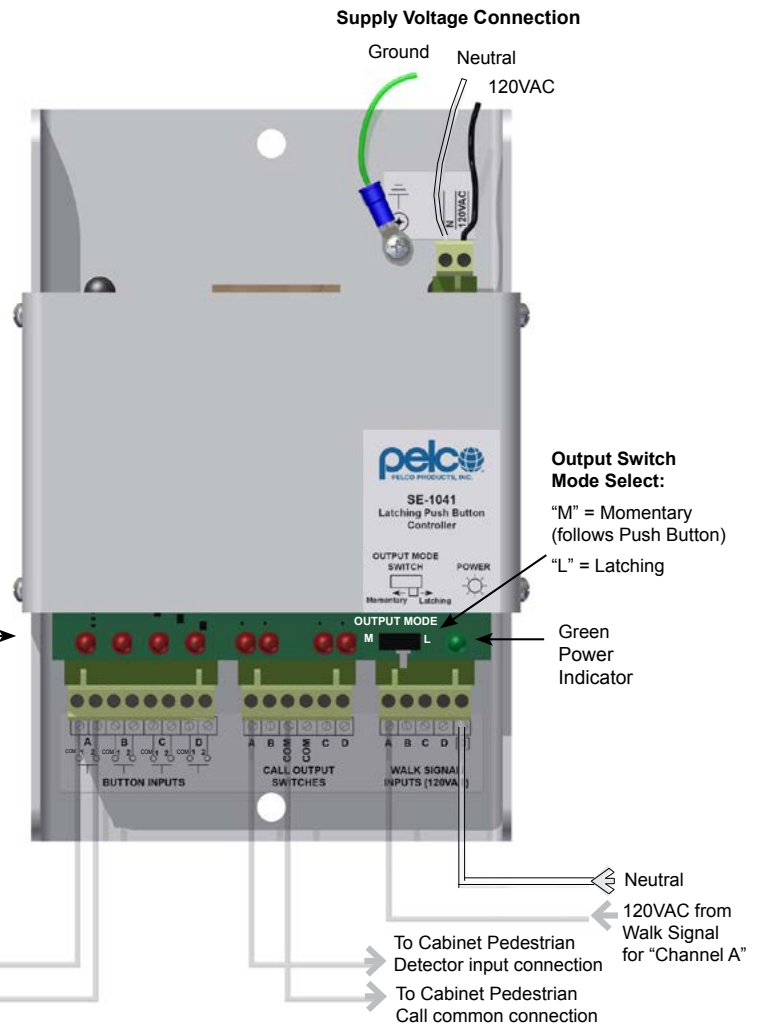
Note: Max 4 Push Buttons per Channel
 Each push button channel requires two separate wires.
 Common wire can not be shared between channels.

When used with Pelco's latching LED push buttons, and a pedestrian pushes a push button during the don't walk interval, the LED on all push buttons wired to that channel will come on, providing a continuous confirmation that a call has been placed to the traffic signal controller. When the walk signal comes on, the LED indication on all push buttons hooked up to that particular channel will go off.

Red LED indicators to show the state of each channel input and output:

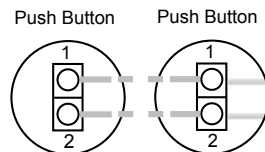
For the button inputs, the channel is latched when the LED is on. While the push button is being pressed, these LEDs will flash until the push button is released, and then they will stay on.

The call output switch indicator LEDs will turn on while the call output switch is "closed" and placing a call to the traffic controller. Whether these output switches latch on or follow the push button press is controlled by the output mode switch.



**"Channel A" shown here for example:

*Proper wire polarity MUST be observed
 #1-COM from LPBC to #1 on push button
 #2 from LPBC to #2 on push button

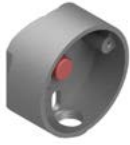


*Max 4 Push Buttons per Channel
 *Only wires connected to terminal 1-COM of BUTTON INPUTS can be shared between channels.

Note: 1. Refer to previous pages of this catalog section for LED push buttons or stations -LCH latching option.
 2. Each channel of the 4 channel latching controller can operate up to 4 push buttons for a total of 16 push buttons per controller Assembly.



Push Button Components



Body Assy, Round Pole Mount, 2-Hole, Alum

SE-2137 - Coating
 PNC=Process No Color
 P__=Paint



Body Assy, Round Pole Mount, 4-Hole, Alum

SE-2176 - Coating
 PNC=Process No Color
 P__=Paint



Flat Back Adapter, Round Push Button, Alum

SE-0279 - Coating
 PNC=Process No Color
 P__=Paint



Body Assy, Rectangular Pole Mnt, Alum

SE-2141 - Coating
 PNC=Process No Color
 P__=Paint



Body Assy, Rectangular Flat Back, Alum

SE-2139 - Coating
 PNC=Process No Color
 P__=Paint



Body Assy, Oval Push Button Pole Mount

SE-2140 - Coating
 PNC=Process No Color
 P__=Paint



Flat Back Adapter, Oval Push Button, Alum

SE-0270 - Coating
 PNC=Process No Color
 P__=Paint



Arrow Kit, Adjustable, Oval Push Button, Alum

SE-2504 - Arrow - Coating
 1=Single PNC=Process No Color
 2=Double P__=Paint



Adapter Kit, Round Cover to Body, Alum

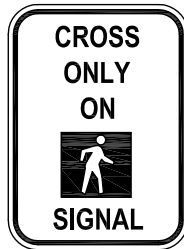
SE-2507-PNC

Note: Required for adapting round mechanical cover to older style round bodies and stations.

Note: 1. All assemblies are supplied standard with stainless steel fasteners.
 2. See Reference Section for available paint colors.



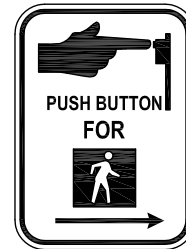
Pedestrian Signs MUTCD Compliant



R10-2a

SF-1085-

| | | | | |
|-----------|---|-----------------|---|-----|
| Size | - | 3/8" Mtg Holes | - | PNC |
| 12=9"x12" | | Blank=None | | |
| | | 2H=2@10" CTC | | |
| | | 4H=4@7"x10" CTC | | |



R10-3

SF-1014-

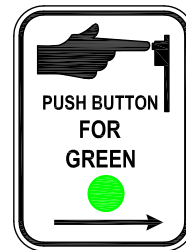
| | | | | | | |
|-------------|---|-------------------------|---|------------------|---|-----|
| Size | - | Arrow | - | 3/8" Mtg Holes | - | PNC |
| 7=5"x7-3/4" | | R= Right Man/Arrow | | Blank=None | | |
| 12=9"x12" | | L= Left Man/Arrow | | 2H=2@6.75 CTC | | |
| | | D=Left Man/Double Arrow | | 2@10" CTC | | |
| | | | | 4H=4@4"x6.75"CTC | | |
| | | | | 4@7"x10" CTC | | |



R10-25

SF-1083-

| | | | | | | |
|---------------|---|-----------------|---|------------------|---|-----|
| Size | - | Arrow | - | 3/8" Mtg Holes | - | PNC |
| 7=5" x 7-3/4" | | R= Right Arrow | | Blank=None | | |
| 12=9" x 12" | | L= Left Arrow | | 2H=2@6.75 CTC | | |
| | | D= Double Arrow | | 2@10" CTC | | |
| | | | | 4H=4@4"x6.75"CTC | | |
| | | | | 4@7"x10" CTC | | |



R10-4

SF-1022-

| | | | | | | |
|-----------|---|-----------------|---|-----------------|---|-----|
| Size | - | Arrow | - | 3/8" Mtg Holes | - | PNC |
| 12=9"x12" | | R= RightArrow | | Blank=None | | |
| | | L= Left Arrow | | 2H=2@10" CTC | | |
| | | D= Double Arrow | | 4H=4@7"x10" CTC | | |



R10-3a

SF-1006-

| | | | | | | |
|-----------|---|--------------------|---|-----------------|---|-----|
| Size | - | Arrow | - | 3/8" Mtg Holes | - | PNC |
| 15=9"x15" | | R= Right Man/Arrow | | Blank=None | | |
| | | L= Left Man/Arrow | | 2H=2@13" CTC | | |
| | | | | 4H=4@7"x13" CTC | | |



R10-4a

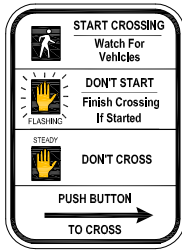
SF-1027-

| | | | | | | |
|-----------|---|--------------------|---|-----------------|---|-----|
| Size | - | Arrow | - | 3/8" Mtg Holes | - | PNC |
| 15=9"x15" | | R= Right Man/Arrow | | Blank=None | | |
| | | L= Left Man/Arrow | | 2H=2@13" CTC | | |
| | | | | 4H=4@7"x13" CTC | | |

Note: 1. Standard signs are .063" aluminum with the exception of 9" x 15" signs, which are 0.080" thick.
2. MUTCD compliant signs refer to 2009 MUTCD as set by FHWA.

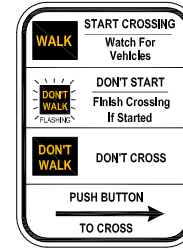


Pedestrian Signs MUTCD Compliant



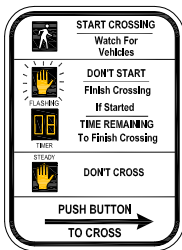
R10-3b

SF-1060- Size - Arrow - 3/8" Mtg Holes - PNC
 12=9"x12" R= Right Man/Arrow Blank=None
 L= Left Man/Arrow 2H=2@10" CTC
 4H=4@7"x10" CTC



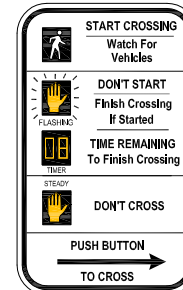
R10-3c

SF-1084- Size - Arrow - 3/8" Mtg Holes - PNC
 12=9"x12" R= Right Arrow Blank=None
 L= Left Arrow 2H=2@10" CTC
 4H=4@7"x10" CTC



R10-3e

SF-1065- Size - Arrow - 3/8" Mtg Holes - PNC
 7=5" x 7-3/4" R= Right Arrow Blank=None
 12=9" x 12" L= Left Arrow 2H=2@6.75 CTC
 D= Double Arrow 2@10" CTC
 4H=4@4"x6.75"CTC
 4@7"x10" CTC



R10-3e

SF-1074- Size - Arrow - 3/8" Mtg Holes - PNC
 15=9"x15" R= Right Arrow Blank=None
 L= Left Arrow 2H=2@13" CTC
 D= Double Arrow 4H=4@7"x13" CTC



R10-3i

SF-1100- Size - Arrow - 3/8" Mtg Holes - Streetname - PNC
 15=9" x 15" R= Right Arrow Blank=None Specify
 L= Left Arrow 2H=2@13" CTC Street Name
 D= Double Arrow 4H=4@7"x13" CTC Required

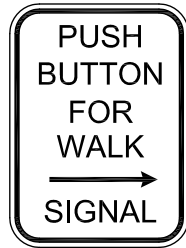
PUSH BUTTONS



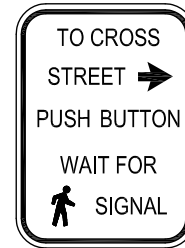
Note: 1. Standard signs are .063" aluminum with the exception of 9" x 15" signs, which are 0.080" thick.
 2. MUTCD compliant signs refer to 2009 MUTCD Standards as set by FHWA.



Pedestrian Signs Custom



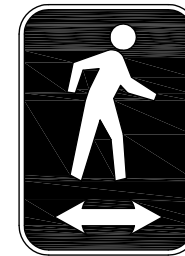
SF-1002- - - - PNC
 Size: 7=5" x 7-3/4"
 12=9" x 12"
 Arrow: R= Right Arrow
 L= Left Arrow
 D= Double Arrow
 3/8" Mtg Holes: Blank=None
 2H=2@6.75 CTC
 2@10" CTC
 4H=4@4"x6.75"CTC
 4@7"x10" CTC



SF-1010- - - - PNC
 Size: 12=9" x 12"
 Arrow: R= Right Man/Arrow
 L= Left Man/Arrow
 3/8" Mtg Holes: Blank=None
 2H=2@10" CTC
 4H=4@7"x10" CTC



SF-1018- - - - PNC
 Size: 7=5" x 7-3/4"
 12=9" x 12"
 Arrow: Blank= None
 R= Right Arrow
 L= Left Arrow
 D= Double Arrow
 3/8" Mtg Holes: Blank=None
 2H=2@6.75 CTC
 2@10" CTC
 4H=4@4"x6.75"CTC
 4@7"x10" CTC



SF-1031- - - - PNC
 Size: 7=5" x 7-3/4"
 12=9" x 12"
 Arrow: R= Right Man/Arrow
 L= Left Man/Arrow
 D= Right Man/Double Arrow
 3/8" Mtg Holes: Blank=None
 2H=2@6.75 CTC
 2@10" CTC
 4H=4@4"x6.75"CTC
 4@7"x10" CTC



Braille:
Push Button to Cross

SF-8065- - - - PNC
 Size: 7=5" x 7-3/4"
 12=9" x 12"
 15=9" x 15"
 Arrow: B=Blank
 R= Right Arrow
 L= Left Arrow
 D= Double Arrow
 3/8" Mtg Holes: Blank=None
 2H=2@6.75 CTC
 2@10" CTC
 2@13" CTC
 4H=4@4"x6.75"CTC
 4@7"x10" CTC
 4@7"x13" CTC

Note: 1. Standard signs are .063" aluminum with the exception of 9" x 15" signs, which are 0.080" thick.
 2. Custom signs are non-compliant with MUTCD standards. Additional custom signs are available upon request.



Flasher Controllers

Aluminum Flasher Cabinets are weather resistant and are available for rear, top and bottom mounting. Various brackets are available for mounting to wood or metal poles. A complete line of Type II or Police Type cabinets are available.



Flasher Controller Assy w/ 5-Pin Flasher



SE-1000 - -

Mount Coating

T=Top Mount PNC=Process No Color
 B=Bottom Mount P__=Paint
 R=Rear Mount
 TB=Top/Bottom Mount
 TBR=Top/Bottom & Rear Mount
 NM=No Mount



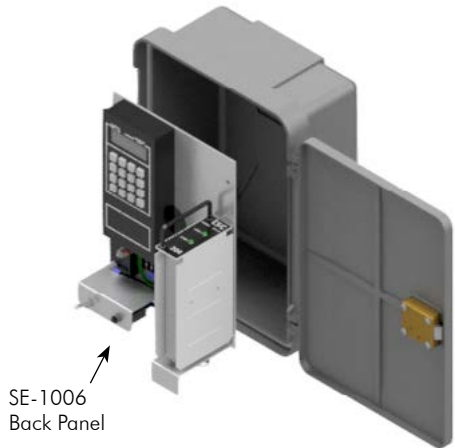
Top/Bottom Mount



Rear Mount

Note:
Includes Time Clock, Lightning Arrestor, Circuit Breaker & Toggle Switch.

Flasher Controller Assy w/ Nema Flasher



SE-1004 - -

Mount Coating

T=Top Mount PNC=Process No Color
 B=Bottom Mount P__=Paint
 R=Rear Mount
 TB=Top/Bottom Mount
 TBR=Top/Bottom & Rear Mount
 NM=No Mount



Top/Bottom Mount



Rear Mount

Note:
Includes Time Clock, Lightning Arrestor, Circuit Breaker & Toggle Switch.

Note: 1. All assemblies are supplied standard with stainless steel fasteners.
 2. See Reference Section for available paint colors.



Flasher Controllers

Aluminum Flasher Cabinets are weather resistant and are available for rear, top and bottom mounting. Various brackets are available for mounting to wood or metal poles. A complete line of Type II or Police Type cabinets are available.

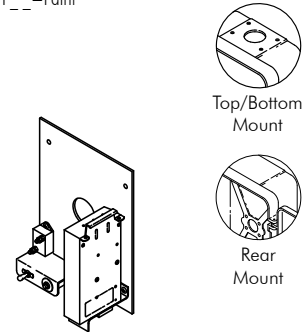


Flasher Controller Cabinet Assy w/o Time Clock, Alum



SE-1014 - - -

| | | |
|-----------------------------|----------------|----------------------|
| Mount | Flasher | Coating |
| T=Top Mount | Blank=None | PNC=Process No Color |
| B=Bottom Mount | F=Nema Flasher | P__=Paint |
| R=Rear Mount | | |
| TB=Top/Bottom Mount | | |
| TBR=Top/Bottom & Rear Mount | | |
| NM=No Mount | | |



SE-1015, Backpanel with Flasher

Note:
Includes Lightning Arrestor, Circuit Breaker & Toggle Switch. Nema Flasher optional.

Flasher Cabinet Assy w/ Police Type Lock



SE-1002 - -

| | |
|-----------------------------|----------------------|
| Mount | Coating |
| T=Top Mount | PNC=Process No Color |
| B=Bottom Mount | P__=Paint |
| R=Rear Mount | |
| TB=Top/Bottom Mount | |
| TBR=Top/Bottom & Rear Mount | |
| NM=No Mount | |



Note: 1. All assemblies are supplied standard with stainless steel fasteners.
2. See Reference Section for available paint colors.

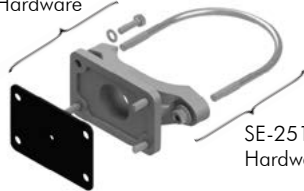


Mounting Assemblies

Aluminum Flasher Cabinets are weather resistant and are available for rear, top and bottom mounting. Various brackets are available for mounting to wood or metal poles. A complete line of Type II or Police Type cabinets are available.



SE-2518-SS
Gasket & Hardware



SE-2517-SS
Hardware Kit

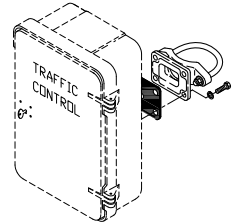
Mounting Kit, 4" (4-1/2" OD) Post

SE-1100 -

Coating

PNC=Process No Color

P__=Paint



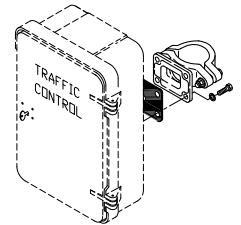
Mounting Kit, 3" (3-1/2" OD) Post

SE-1101 -

Coating

PNC=Process No Color

P__=Paint



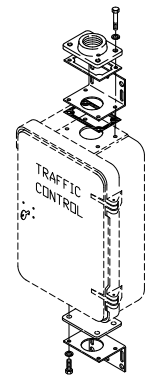
Mounting Kit, Wood Pole w/ 1-1/2" Single Hub & Closure Plate

SE-1103 -

Coating

PNC=Process No Color

P__=Paint



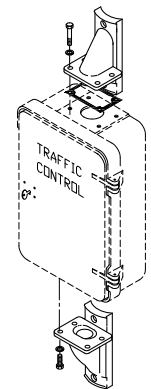
Mounting Kit, Sweep Elbows

SE-1104 -

Coating

PNC=Process No Color

P__=Paint

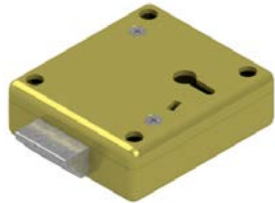


Note: 1. All assemblies are supplied standard with stainless steel fasteners.
2. See Reference Section for available paint colors.



Type I & Type IB Police Lock

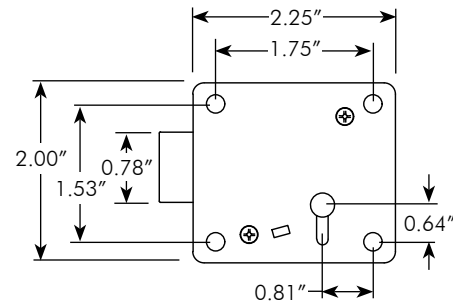
Aluminum Flasher Cabinets are weather resistant and are available for rear, top and bottom mounting. Various brackets are available for mounting to wood or metal poles. A complete line of Type II or Police Type cabinets are available.



Cabinet Lock, Police Type I

SM-1012 -  - BRS

- Keys
- OK=Lock Only
 - 1SK=Lock w/ 1 Short Key
 - 2SK=Lock w/ 2 Short Keys
 - 1LK=Lock w/ 1 Long Key
 - 2LK=Lock w/ 2 Long Keys



SM-0109-BRS **Short Key, Type I Cabinet Lock, 1-3/4"**

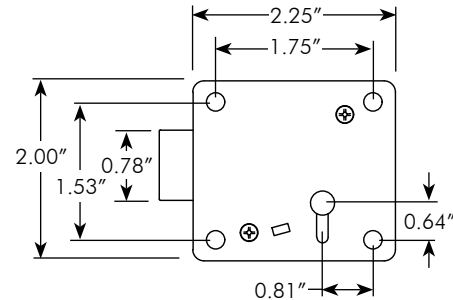
SM-0200-BRS **Long Key, Type I Cabinet Lock, 2-5/8"**



Cabinet Lock, Type IB

SM-1021 -  - BRS

- Keys
- OK=Lock Only
 - 1SK=Lock w/ 1 Short Key
 - 2SK=Lock w/ 2 Short Keys



SM-0213-PNC **Short Key, Type IB Cabinet Lock, 1-3/4"**

Note: 1. Specify key options when ordering.

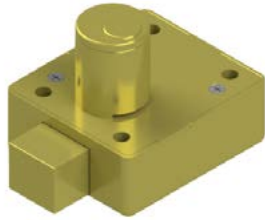



Type II Tumbler Lock

Aluminum Flasher Cabinets are weather resistant and are available for rear, top and bottom mounting. Various brackets are available for mounting to wood or metal poles. A complete line of Type II or Police Type cabinets are available.



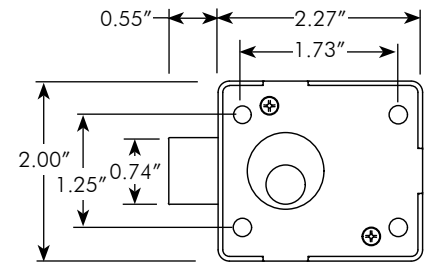
Cabinet Lock, Type II Square Latch



Keys
SM-1026 -  - BRS


OK=Lock Only
1K=Lock w/ 1 Key
2K=Lock w/ 2 Keys

Note:
Right hand shown, left hand opposite.



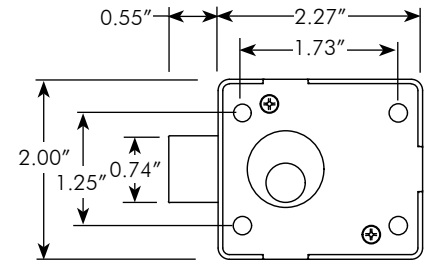
Cabinet Lock, Type II Tapered Latch



Keys
SM-1023 -  - BRS

OK=Lock Only
1K=Lock w/ 1 Key
2K=Lock w/ 2 Keys

Note:
Right hand shown, left hand opposite.



SM-0198-2-CRM **Key, Type II Cabinet Lock**



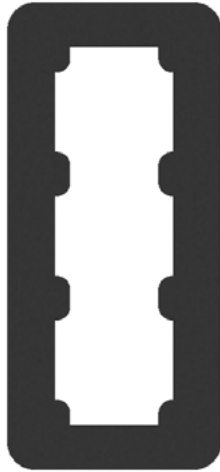
SM-0198-B-CRM **Blank Key, Type II Cabinet Lock**

Note: 1. Unless otherwise specified, all locks will be provided to fit a Type II Key. All locks can be supplied with other key configurations upon request at an additional charge.

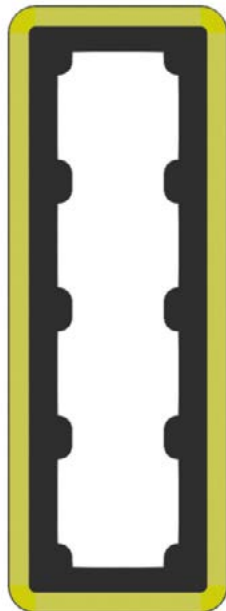


Vacuum Formed ABS

Pelco's vacuum formed backplates are fabricated from black ABS UV stabilized plastic sheeting with a 3" corner radius and a 5/8" flange on all sides. Backplates with reflective borders have a smooth finish on front side, while non-reflective backplates have a haircell finish on front. Backplates are designed to precisely fit each manufacturers' signal head and are supplied with necessary mounting hardware.



BK-1003-SERIES
12", 3-Section
EXAMPLE



BK-1004-RT2 SERIES
12", 4-Section w/ Reflective Tape
EXAMPLE

BK-1000 Series Straight Backplates, Vacuum Formed ABS Plastic, .125"

BK - - - - PNC
See Below See Below Blank=No Tape
RT2= 2" Reflective Tape

Note:
Use charts below to specify part number, ie., BK-1003-A-PNC

| STRAIGHT BACKPLATES | | |
|---------------------|-----------------|-------------------------------|
| Signal Size | No. of Sections | 1000 Series Vacuum Formed ABS |
| 8" | 1 | BK-1012 |
| 8" | 3 | BK-1006 |
| 12" | 1 | BK-1001 |
| 12" | 2 | BK-1002 |
| 12" | 3 | BK-1003 |
| 12" | 4 | BK-1004 |
| 12" | 5 | BK-1005 |

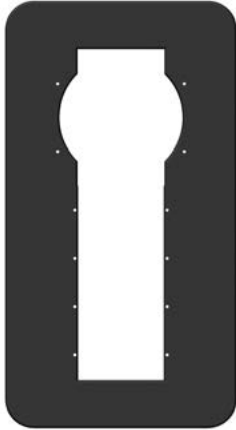
| SIGNAL MANUFACTURER | |
|--------------------------------|----|
| Siemens/Automatic (poly) | A |
| Siemens/Eagle (poly) | E |
| Siemens/Mark IV (alum) | F |
| Peek/TCT..... | C |
| McCain | N |
| Fortran | FT |
| Econolite 2002 (poly) | L3 |
| Econolite 2002 (alum) | L4 |
| Walker Brothers | WB |

Note:
1. Backplates for all Signal Manufacturers may not be available.

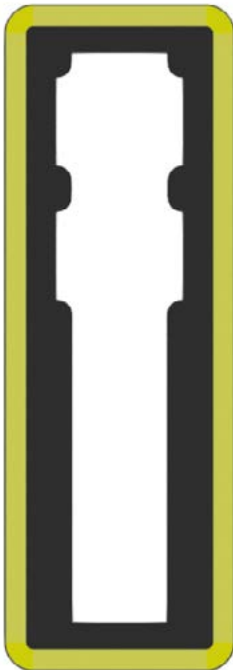
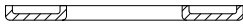


Vacuum Formed ABS

Pelco's vacuum formed backplates are fabricated from black ABS UV stabilized plastic sheeting with a 3" corner radius and a 5/8" flange on all sides. Backplates with reflective borders have a smooth finish on front side, while non-reflective backplates have a haircell finish on front. Backplates are designed to precisely fit each manufacturers' signal head and are supplied with necessary mounting hardware.



BK-1011-SERIES
12"-8"-8", 3-Section
EXAMPLE



BK-1014-RT2 SERIES
12"-12"-8"-8"-8", 5-Section w/ Reflective Tape
EXAMPLE

BK-1000 Series Combination Backplates, Vacuum Formed ABS Plastic, .125"

BK - - - - PNC

1000 Series Signal Reflective
See Below Manufacturer Borders
Blank=No Tape
RT2= 2" Reflective Tape

Note:
Use charts below to specify part number, ie., BK-1011-A-PNC

| COMBINATION BACKPLATES | | |
|------------------------|-----------------|-------------------------------|
| Signal Size | No. of Sections | 1000 Series Vacuum Formed ABS |
| 12"-8"-8" | 3 | BK-1011 |
| 12"-12"-8"-8"-8" | 5 | BK-1014 |

| SIGNAL MANUFACTURER | |
|--------------------------------|----|
| Siemens/Automatic (poly) | A |
| Siemens/Eagle (poly) | E |
| Siemens/Mark IV (alum) | F |
| Peek/TCT..... | C |
| McCain | N |
| Fortran | FT |
| Econolite 2002 (poly) | L3 |
| Econolite 2002 (alum) | L4 |
| Walker Brothers | WB |

BACKPLATES



Note:
1. Backplates for all Signal Manufacturers may not be available.

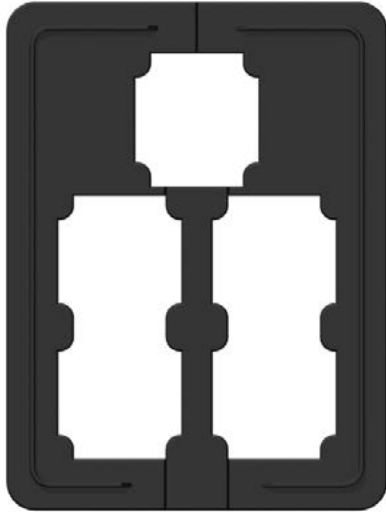


Vacuum Formed ABS

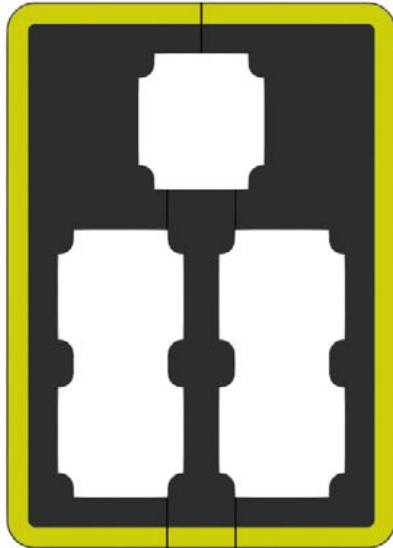
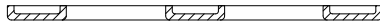
Pelco's vacuum formed backplates are fabricated from black ABS UV stabilized plastic sheeting with a 3" corner radius and a 5/8" flange on all sides. Backplates with reflective borders have a smooth finish on front side, while non-reflective backplates have a haircell finish on front. Backplates are designed to precisely fit each manufacturer's signal head and are supplied with necessary mounting hardware.



BACKPLATES



BK-1007-SERIES
5-Section Cluster
EXAMPLE



BK-1010-RT2 SERIES
5-Section Cluster w/ Reflective Tape
EXAMPLE

BK-1000 Series Cluster Backplates, Vacuum Formed ABS Plastic, .125"

BK - - - - PNC

1000 Series Signal Reflective
See Below Manufacturer Borders
See Below Blank=No Tape
RT2= 2" Reflective Tape

Note:
Use charts below to specify part number, ie., BK-1007-A-PNC

| CLUSTER BACKPLATES | | | |
|--------------------------|-----------------|-------------------------------|---|
| Signal Size | No. of Sections | 1000 Series Vacuum Formed ABS | Mounting Application |
| $\frac{12''}{12'' 12''}$ | 5 | BK-1007 | AS-0109 Astro-Brac 16" CTC |
| $\frac{12''}{12'' 12''}$ | 5 | BK-1010 | Span Wire 16-1/2" CTC |
| $\frac{12''}{12'' 12''}$ | 5 | BK-1021 | Span Wire Casting 17" CTC |
| $\frac{12''}{12'' 12''}$ | 5 | BK-1015 | Plumbizer Mount 17" CTC |
| $\frac{12'' 12''}{12''}$ | 3 | BK-1032 | AS-0167 or AS-0168 Astro-Brac 17" CTC |
| $\frac{12'' 12''}{12''}$ | 3 | BK-1034 | Plumbizer Mount 17" CTC |

SIGNAL MANUFACTURER

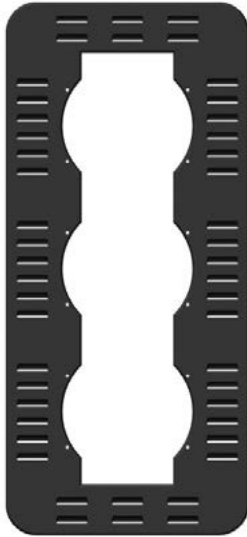
| | |
|--------------------------------|----|
| Siemens/Automatic (poly) | A |
| Siemens/Eagle (poly) | E |
| Siemens/Mark IV (alum) | F |
| Peek/TCT..... | C |
| McCain | N |
| Fortran | FT |
| Econolite 2002 (poly) | L3 |
| Econolite 2002 (alum) | L4 |
| Walker Brothers | WB |

Note:
1. Backplates for all Signal Manufacturers may not be available.

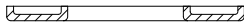


Louvered Vacuum Formed ABS

Pelco's louvered vacuum formed backplates are fabricated from black ABS UV stabilized plastic sheeting with a 3" corner radius, 5/8" flange on all sides, with a haircell finish on the front side. Backplates are designed to precisely fit each manufacturer's signal head and are supplied with necessary mounting hardware.



BK-5003-SERIES
12", 3-Section
EXAMPLE



BK-5000 Series Louvered Straight Backplates, Vacuum Formed ABS Plastic, .125"

BK - - - PNC

5000 Series Signal
 Manufacturer

Note:
Use charts below to specify part number, ie., BK-5003-A-PNC

| STRAIGHT BACKPLATES | | |
|---------------------|-----------------|-------------------------------|
| Signal Size | No. of Sections | 5000 Series Vacuum Formed ABS |
| 12" | 3 | BK-5003 |
| 12" | 4 | BK-5004 |
| 12" | 5 | BK-5005 |

| SIGNAL MANUFACTURER | |
|--------------------------------|----|
| Siemens/Automatic (poly) | A |
| Siemens/Eagle (poly) | E |
| Siemens/Mark IV (alum) | F |
| Peek/TCT..... | C |
| McCain | N |
| Fortran | FT |
| Econolite 2002 (poly) | L3 |
| Econolite 2002 (alum) | L4 |
| Walker Brothers | WB |

BACKPLATES



Note: 1. Backplates for all Signal Manufacturers may not be available.
2. Reflective tape not available on louvered backplates.

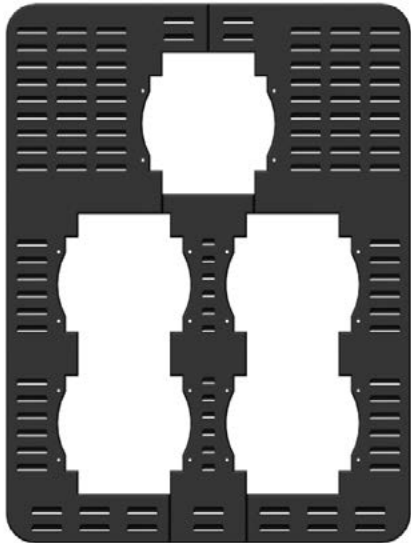


Louvered Vacuum Formed ABS

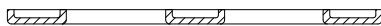
Pelco's louvered vacuum formed backplates are fabricated from black ABS UV stabilized plastic sheeting with a 3" corner radius, 5/8" flange on all sides, with a haircell finish on the front side. Backplates are designed to precisely fit each manufacturer's signal head and are supplied with necessary mounting hardware.



BACKPLATES



BK-5021-SERIES
5-Section
EXAMPLE



BK-5000 Series Louvered 5-Section Cluster Backplates, Vacuum Formed ABS Plastic, .125"

BK - - - PNC

Note:
Use charts below to specify part number, ie., BK-5021-A-PNC

| CLUSTER BACKPLATES | | | |
|--|-----------------|-------------------------------|-------------------------------|
| Signal Size | No. of Sections | 1000 Series Vacuum Formed ABS | Mounting Application |
| $\frac{12''}{12'' 12''}$ $\frac{12''}{12'' 12''}$ | 5 | BK-5007 | AS-0109 Astro-Brac 16" CTC |
| $\frac{12''}{12'' 12''}$ $\frac{12''}{12'' 12''}$ | 5 | BK-5010 | Span Wire 16-1/2" CTC |
| $\frac{12''}{12'' 12''}$ $\frac{12''}{12'' 12''}$ | 5 | BK-5021 | Span Wire Casting 17" CTC |

SIGNAL MANUFACTURER

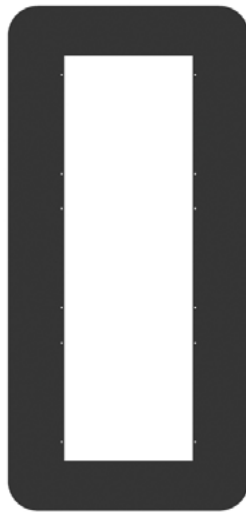
| | |
|--------------------------------|----|
| Siemens/Automatic (poly) | A |
| Siemens/Eagle (poly) | E |
| Siemens/Mark IV (alum) | F |
| Peek/TCT | C |
| McCain | N |
| Fortran | FT |
| Econolite 2002 (poly) | L3 |
| Econolite 2002 (alum) | L4 |
| Walker Brothers | WB |

Note: 1. Backplates for all Signal Manufacturers may not be available.
2. Reflective tape not available on louvered backplates.



Flat ABS

Flat backplates are fabricated from black ABS UV stabilized plastic sheet with hair cell finish on front side, smooth finish on back side, and 3" corner radii. Backplates are designed to precisely fit each manufacturers' signal head and are supplied with necessary mounting hardware.



BK-2008-SERIES
12", 3-Section
EXAMPLE

BK-2000 Series Straight Backplates, Flat ABS Plastic, .156"

BK - ^{2000 Series} - ^{Signal Manufacturer} - PNC

Note:
Use charts below to specify part number, ie., BK-2008-A-PNC

| STRAIGHT BACKPLATES | | |
|---------------------|-----------------|----------------------|
| Signal Size | No. of Sections | 2000 Series Flat ABS |
| 8" | 1 | BK-2001 |
| 8" | 2 | BK-2002 |
| 8" | 3 | BK-2003 |
| 8" | 4 | BK-2004 |
| 8" | 5 | BK-2005 |
| 12" | 1 | BK-2006 |
| 12" | 2 | BK-2007 |
| 12" | 3 | BK-2008 |
| 12" | 4 | BK-2009 |
| 12" | 5 | BK-2010 |

| SIGNAL MANUFACTURER | |
|--------------------------------|----|
| Siemens/Automatic (poly) | A |
| Siemens/Eagle (poly) | E |
| Siemens/Mark IV (alum) | F |
| Peek/TCT..... | C |
| McCain | N |
| Fortran | FT |
| Econolite 2002 (poly) | L3 |
| Econolite 2002 (alum) | L4 |
| Walker Brothers | WB |

Note: 1. Flat polycarbonate backplates are available upon request. Contact Pelco for backplate options not shown.
2. Backplates for all Signal Manufacturers may not be available.



Flat ABS

Flat backplates are fabricated from black ABS UV stabilized plastic sheet with hair cell finish on front side, smooth finish on back side, and 3" corner radii. Backplates are designed to precisely fit each manufacturer's signal head and are supplied with necessary mounting hardware.



BK-2013-SERIES
12"-8"-8"-8", 4-Section
EXAMPLE

BK-2000 Series Combination Backplates, Flat ABS Plastic, .156"

BK - - - PNC

2000 Series Signal
 Manufacturer

Note:
Use charts below to specify part number, ie., BK-2013-A-PNC

| COMBINATION BACKPLATES | | |
|------------------------|-----------------|-----------------------------|
| Signal Size | No. of Sections | 2000 Series Vacuum Flat ABS |
| 12"-8"-8"-8" | 3 | BK-2012 |
| 12"-8"-8"-8" | 4 | BK-2013 |
| 12"-12"-8"-8"-8" | 4 | BK-2014 |
| 12"-12"-8"-8"-8" | 5 | BK-2017 |

| SIGNAL MANUFACTURER | |
|--------------------------------|----|
| Siemens/Automatic (poly) | A |
| Siemens/Eagle (poly) | E |
| Siemens/Mark IV (alum) | F |
| Peek/TCT..... | C |
| McCain | N |
| Fortran | FT |
| Econolite 2002 (poly) | L3 |
| Econolite 2002 (alum) | L4 |
| Walker Brothers | WB |

BACKPLATES

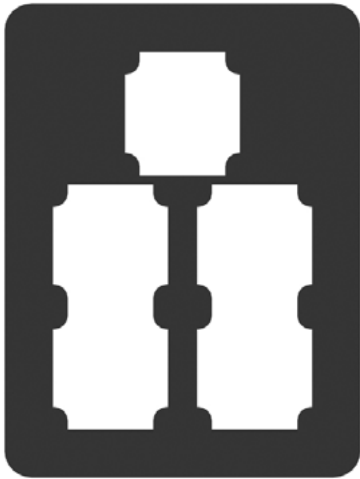


Note: 1. Flat polycarbonate backplates are available upon request. Contact Pelco for backplate options not shown.
2. Backplates for all Signal Manufacturers may not be available.



Flat ABS

Flat backplates are fabricated from black ABS UV stabilized plastic sheet with hair cell finish on front side, smooth finish on back side, and 3" corner radii. Backplates are designed to precisely fit each manufacturers' signal head and are supplied with necessary mounting hardware.



BK-2011-SERIES
12", 5-Section Cluster
EXAMPLE



BK-2032-SERIES
12", 3-Section Cluster
EXAMPLE

BK-2000 Series Cluster Backplates, Flat ABS Plastic, .156"

BK - ^{2000 Series} - ^{Signal Manufacturer} - PNC

Note:
Use charts below to specify part number, ie., BK-2011-A-PNC

| CLUSTER BACKPLATES | | | |
|--|-----------------|-----------------------------|-------------------------------|
| Signal Size | No. of Sections | 2000 Series Vacuum Flat ABS | Mounting Application |
| $\frac{12''}{12'' 12''}$ $\frac{12''}{12'' 12''}$ | 5 | BK-2011 | AS-0109 Astro-Brac 16" CTC |
| $\frac{12''}{12'' 12''}$ $\frac{12''}{12'' 12''}$ | 5 | BK-2023 | Span Wire 16-1/2" CTC |
| $\frac{12''}{12'' 12''}$ $\frac{12''}{12'' 12''}$ | 5 | BK-2024 | Span Wire Casting 17" CTC |
| $\frac{12'' 12''}{12''}$ | 3 | BK-2032 | Plumbizer Mount 17" CTC |

SIGNAL MANUFACTURER

| | |
|--------------------------------|----|
| Siemens/Automatic (poly) | A |
| Siemens/Eagle (poly) | E |
| Siemens/Mark IV (alum) | F |
| Peek/TCT..... | C |
| McCain | N |
| Fortran | FT |
| Econolite 2002 (poly) | L3 |
| Econolite 2002 (alum) | L4 |
| Walker Brothers | WB |

Note: 1. Flat polycarbonate backplates are available upon request. Contact Pelco for backplate options not shown.
2. All Signal Manufacturers may not be available.





BK-0101-SS Hardware Kit, Backplate, Stainless

Note: 1. Kit includes: 12 #8 x 3/4" Screws, 12 Locknuts, 24 Rectangular Washers
2. Hardware Kits are used with A, F, C, L3, WB backplates.

BK-0113-SS Hardware Kit, Split Backplate, Stainless

Note: 1. Kit includes: 2 #8 x 3/4" Screws, 2 Locknuts, 4 Rectangular Washers
2. Hardware Kits are used with A, E, C, N, F, L4 split backplates.

BK-0117-SS Hardware Kit, Backplate, Stainless

Note: 1. Kit includes: 12 #8 x 7/8" Screws, 12 Locknuts, 24 Rectangular Washers
2. Hardware Kits are used with L4 backplates.



BK-0108-SS Hardware Kit, Backplate, Stainless

Note: 1. Kit includes: 12 #8 x 1/2" Screws, 12 Rectangular Washers
2. Hardware Kits are used with E backplates.

BK-0110-SS Hardware Kit, Backplate, Stainless

Note: 1. Kit includes: 12 #10 x 1/2" Screws, 12 Rectangular Washers
2. Hardware Kits are used with N, FT backplates.



BK-0106-PNC Hardware Kit, Backplate

Note: 1. Kit includes: 8 #10 x 1/2" Screws, 8 #8 Tinnerman Nuts
2. Hardware Kits are used with A, E, F, C, N, L3, L4 backplates.

SIGNAL MANUFACTURER

| | |
|--------------------------------|----|
| Siemens/Automatic (poly) | A |
| Siemens/Eagle (poly) | E |
| Siemens/MarkIV (alum) | F |
| Peek/TCT..... | C |
| McCain | N |
| Fortran | FT |
| Econolite 2002 (poly) | L3 |
| Econolite 2002 (alum) | L4 |
| Walker Brothers | WB |

Pedestal Poles

Pelco offers aluminum, iron, and plastic bases in various sizes as well as poles in aluminum and steel. Pelco's cast aluminum square base is FHWA certified and meets or exceeds AASHTO break-away requirements. Plastic replacement doors offer an economical way to deter vandalism.



1



1. Pedestal Pole, 4" Sch 40, Spun Alum No Threads

PB-5101 - Length - Coating

PNC=Process No Color
P__=Paint

2



2. Pedestal Pole, 4"- 8 NPT Sch 40, Spun Alum w/ Pelican ID

PB-5100 - Length - Coating

PNC=Process No Color
P__=Paint

Pedestal Pole, 4"- 8 NPT Sch 80, Spun Alum

PB-5102 - Length - Coating

PNC=Process No Color
P__=Paint

Pedestal Pole, 4"- 8 NPT Sch 40, Steel

PB-5201 - Length - Coating

P__=Paint

Pedestal Pole, 4"- 8 NPT Sch 40, Galv Steel

PB-5200 - Length - GLV - Coating

Blank=Galvanized Only
P__=Paint over Galvanized

3



3. Pedestal Pole, Welded, 4"- 8 NPT w/ 5-1/2" Nipple Length, Steel

PB-5219 - Length - Coating

GLV=Galvanized
P__=Paint

Note: 1. Standard poles are typically sold in 1 foot increments. For other lengths contact sales.
2. See Reference Section for available paint colors.



Square Pedestal Bases Aluminum

Pelco offers aluminum, iron, and plastic bases in various sizes as well as poles in aluminum and steel. Pelco's PB-5334 and PB-5335 cast aluminum square bases are FHWA certified and meets or exceeds AASHTO break-away requirements. Plastic replacement doors offer an economical way to deter vandalism.



Square Base Assembly, Alum w/ Alum Door



| | | | | | | | | |
|---------|---|--------------------------------|---|--|---|-----------------------------|---|-----------------------------------|
| PB-5334 | - | <input type="checkbox"/> | - | <input type="checkbox"/> | - | <input type="checkbox"/> | - | <input type="checkbox"/> |
| | | Door | | Set Screws in Collar | | Grounding Lug | | Coating |
| | | NL=No Logo Blank=Pelco Logo | | 1S=1 Hex Bolt 3S=3 Set Screws Blank=None | | GL=Ground Lug Blank=None | | PNC=Process No Color P__=Paint |

Square Base Assembly, Alum w/ Plastic Door

| | | | | | | | | |
|---------|---|--------------------------------|---|--|---|-----------------------------|---|-----|
| PB-5335 | - | <input type="checkbox"/> | - | <input type="checkbox"/> | - | <input type="checkbox"/> | - | PNC |
| | | Door | | Set Screws in Collar | | Grounding Lug | | |
| | | NL=No Logo Blank=Pelco Logo | | 1S=1 Hex Bolt 3S=3 Set Screws Blank=None | | GL=Ground Lug Blank=None | | |

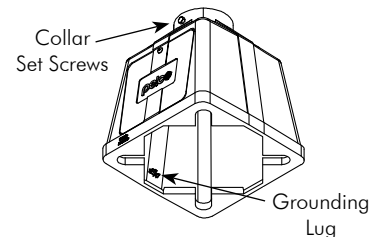
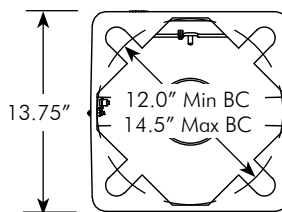
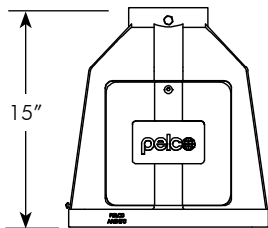
Square Base Assembly, Alum Heat Treated w/ Alum Door



| | | | | | | | | |
|---------|---|--------------------------------|---|--|---|-----------------------------|---|-----------------------------------|
| PB-5336 | - | <input type="checkbox"/> | - | <input type="checkbox"/> | - | <input type="checkbox"/> | - | <input type="checkbox"/> |
| | | Door | | Set Screws in Collar | | Grounding Lug | | Coating |
| | | NL=No Logo Blank=Pelco Logo | | 1S=1 Hex Bolt 3S=3 Set Screws Blank=None | | GL=Ground Lug Blank=None | | PNC=Process No Color P__=Paint |

Square Base Assembly, Alum Heat Treated w/ Plastic Door

| | | | | | | | | |
|---------|---|--------------------------------|---|--|---|-----------------------------|---|-----|
| PB-5337 | - | <input type="checkbox"/> | - | <input type="checkbox"/> | - | <input type="checkbox"/> | - | PNC |
| | | Door | | Set Screws in Collar | | Grounding Lug | | |
| | | NL=No Logo Blank=Pelco Logo | | 1S=1 Hex Bolt 3S=3 Set Screws Blank=None | | GL=Ground Lug Blank=None | | |



- Note: 1. PB-5334 and PB-5335 aluminum square bases above are available with AASHTO certifications and FHWA approval. Please specify by adding the Certification Part No. C-1001 in addition to the base part number.
2. All assemblies are supplied standard with stainless fasteners.
3. See Reference Section for available paint colors.



Square Pedestal Bases Aluminum

Pelco offers aluminum, iron, and plastic bases in various sizes as well as poles in aluminum and steel. Pelco's PB-5334 and PB-5335 cast aluminum square bases are FHWA certified and meets or exceeds AASHTO break-away requirements. Plastic replacement doors offer an economical way to deter vandalism.



Square Base Assembly, Alum Steel Coupling w/ Alum Door



| | | | | | | | | |
|---------|---|--------------------------------|---|--|---|-----------------------------|---|-----------------------------------|
| PB-5340 | - | Door | - | Set Screws in Collar | - | Grounding Lug | - | Coating |
| | | <input type="checkbox"/> | | <input type="checkbox"/> | | <input type="checkbox"/> | | <input type="checkbox"/> |
| | | NL=No Logo Blank=Pelco Logo | | 1S=1 Hex Bolt 3S=3 Set Screws Blank=None | | GL=Ground Lug Blank=None | | PNC=Process No Color P__=Paint |

Square Base Assembly, Alum Steel Coupling w/ Plastic Door

| | | | | | | | | |
|---------|---|--------------------------------|---|--|---|-----------------------------|---|-----|
| PB-5341 | - | Door | - | Set Screws in Collar | - | Grounding Lug | - | PNC |
| | | <input type="checkbox"/> | | <input type="checkbox"/> | | <input type="checkbox"/> | | |
| | | NL=No Logo Blank=Pelco Logo | | 1S=1 Hex Bolt 3S=3 Set Screws Blank=None | | GL=Ground Lug Blank=None | | |

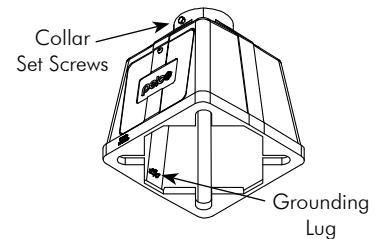
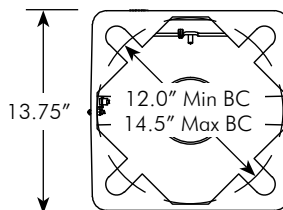
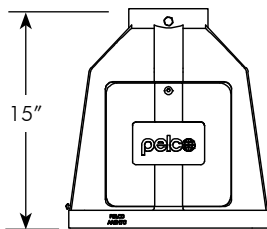
Square Base Assembly, Alum Slip Fit w/ Alum Door



| | | | | | | |
|---------|---|--------------------------------|---|-----------------------------|---|-----------------------------------|
| PB-5338 | - | Door | - | Grounding Lug | - | Coating |
| | | <input type="checkbox"/> | | <input type="checkbox"/> | | <input type="checkbox"/> |
| | | NL=No Logo Blank=Pelco Logo | | GL=Ground Lug Blank=None | | PNC=Process No Color P__=Paint |

Square Base Assembly, Alum Slip Fit w/ Plastic Door

| | | | | | | |
|---------|---|--------------------------------|---|-----------------------------|---|-----|
| PB-5339 | - | Door | - | Grounding Lug | - | PNC |
| | | <input type="checkbox"/> | | <input type="checkbox"/> | | |
| | | NL=No Logo Blank=Pelco Logo | | GL=Ground Lug Blank=None | | |



Note: 1. All assemblies are supplied standard with stainless fasteners.
2. See Reference Section for available paint colors.



Square Pedestal Bases

Iron

Pelco offers aluminum, iron, and plastic bases in various sizes as well as poles in aluminum and steel. Pelco's PB-5334 and PB-5335 cast aluminum square bases are FHWA certified and meets or exceeds AASHTO break-away requirements. Plastic replacement doors offer an economical way to deter vandalism.



Square Base Assembly, Iron w/ Iron Door

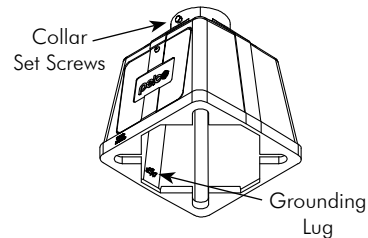
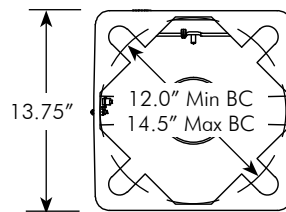
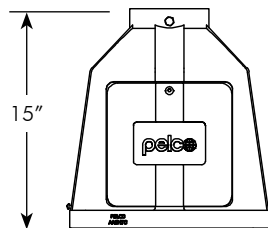
| | | | | | | |
|---------|---|--|---|-----------------------------------|---|-----------------------------|
| PB-5308 | - | <input type="checkbox"/> | - | <input type="checkbox"/> | - | <input type="checkbox"/> |
| | | Set Screws in Collar | | Grounding Lug | | Coating |
| | | 1S=1 Hex Bolt 3S=3 Set Screws Blank=None | | GL=Grounding Lug Blank=None | | GLV=Galvanized P__=Paint |



Square Base Assembly, Iron w/ Iron Door

| | | | | | | |
|---------|---|--|---|-----------------------------------|---|-----------------------------|
| PB-5511 | - | <input type="checkbox"/> | - | <input type="checkbox"/> | - | <input type="checkbox"/> |
| | | Set Screws in Collar | | Grounding Lug | | Coating |
| | | 1S=1 Hex Bolt 3S=3 Set Screws Blank=None | | GL=Grounding Lug Blank=None | | GLV=Galvanized P__=Paint |

Note:
"Buy American" Certification available upon request at time of order.



Note: 1. All assemblies are supplied standard with stainless fasteners.
2. See Reference Section for available paint colors.



Octagonal Pedestal Bases Aluminum

Pelco offers aluminum, iron, and plastic bases in various sizes as well as poles in aluminum and steel. Pelco's PB-5334 and PB-5335 cast aluminum square bases are FHWA certified and meets or exceeds AASHTO break-away requirements. Plastic replacement doors offer an economical way to deter vandalism.



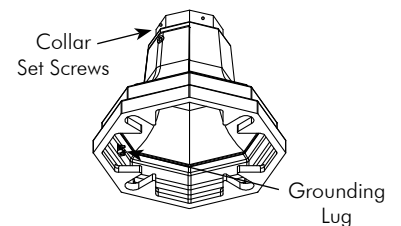
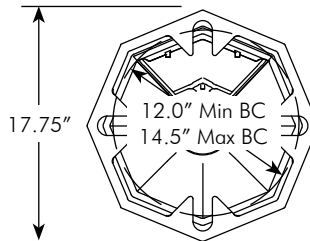
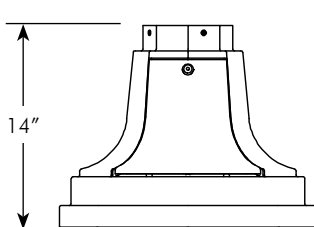
Octagonal Base Assembly, Alum w/ Alum Door

| | | | |
|---------|--|-----------------------------------|-----------------------------------|
| | Set Screws in Collar | Grounding Lug | Coating |
| PB-5349 | - <input type="checkbox"/> | - <input type="checkbox"/> | - <input type="checkbox"/> |
| | 1S=1 Hex Bolt 4S=4 Set Screws Blank=None | GL=Grounding Lug Blank=None | PNC=Process No Color P__=Paint |

Octagonal Base Assembly, Alum Slip Fit w/ Alum Door



| | | |
|---------|-----------------------------------|-----------------------------------|
| | Grounding Lug | Coating |
| PB-5350 | - <input type="checkbox"/> | - <input type="checkbox"/> |
| | GL=Grounding Lug Blank=None | PNC=Process No Color P__=Paint |



Note: 1. All assemblies are supplied standard with stainless fasteners.
2. See Reference Section for available paint colors.



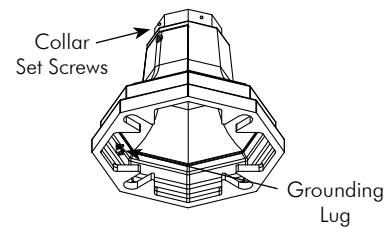
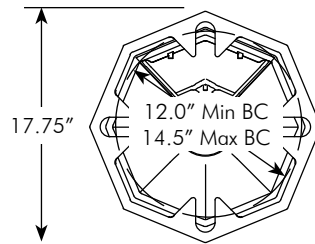
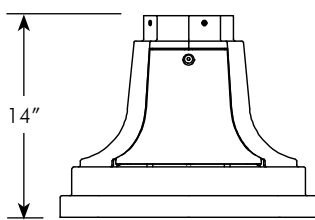
Octagonal Pedestal Bases Iron

Pelco offers aluminum, iron, and plastic bases in various sizes as well as poles in aluminum and steel. Pelco's PB-5334 and PB-5335 cast aluminum square bases are FHWA certified and meets or exceeds AASHTO break-away requirements. Plastic replacement doors offer an economical way to deter vandalism.



Octagonal Base Assembly, Iron w/ Iron Door

| | | | | | | |
|---------|-------------------------|--------------------------|------------------|--------------------------|----------------|--------------------------|
| | Set Screws in Collar | | Grounding Lug | | Coating | |
| PB-5310 | - | <input type="checkbox"/> | - | <input type="checkbox"/> | - | <input type="checkbox"/> |
| | 1S=1 Hex Bolt | | GL=Grounding | | GLV=Galvanized | |
| | 4S=4 Set Screws | | Lug | | P__=Paint | |
| | Blank=None | | Blank=None | | | |



Note: 1. All assemblies are supplied standard with stainless fasteners.
2. See Reference Section for available paint colors.



Pedestal Bases

Pelco offers aluminum, iron, and plastic bases in various sizes as well as poles in aluminum and steel. Pelco's PB-5334 and PB-5335 cast aluminum square bases are FHWA certified and meets or exceeds AASHTO break-away requirements. Plastic replacement doors offer an economical way to deter vandalism.



2-Piece Base for 4-1/2" OD Pole, Plastic

PB-5303-PNC

Note:
High Density Crosslinkable Polyethylene Pedestal Pole Base.
Complete with all hardware. No anchor bolts required.



2-Piece Reducer, Alum

PB-5328-PNC

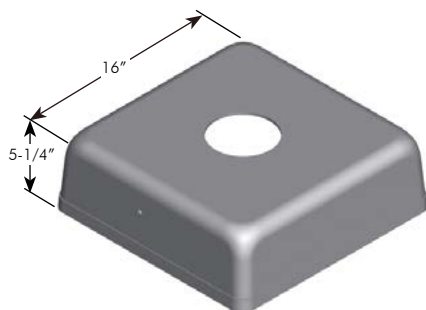
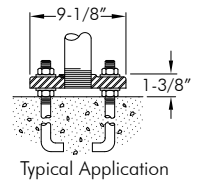
Note:
2-Piece Aluminum Reducer for PB-5303-PNC Base. (Reduces 4-1/2" OD to 3-1/2" OD)



Flange Base, 4"-8NPT, Galv Iron

PB-5304-GLV

Note:
Three 13/16" mounting holes on 7-1/4" bolt circle.



2-Piece Square Cover, Alum

PB-5399 - Pole Diameter - Coating

| | | | |
|-------------|--------------------------|---|--------------------------|
| | <input type="checkbox"/> | - | <input type="checkbox"/> |
| 4.5=4.5" OD | | | PNC=Process No Color |
| 8=8" OD | | | P__=Paint |

Note:
For 4-1/2" - 8" OD Pole (15" Max. Bottom Opening). Complete with all hardware.

Note: 1. All assemblies are supplied standard with stainless fasteners.
2. See Reference Section for available paint colors.



Pole & Arm Caps

Pelco offers pole and arm caps in various sizes in both aluminum and steel. Caps for 4-1/2" OD posts are available in aluminum and ABS plastic.



Pole Cap, Acorn Type, Alum, 3" OD Pole

PB-5403 - Coating
PNC=Process No Color
P__=Paint



Pole Cap, Acorn Type, Alum, 3-1/2" OD Pole

PB-5407 - Coating
PNC=Process No Color
P__=Paint

Pole Cap, Acorn Type, Alum, 4-1/2" OD Pole

PB-5401 - Coating
PNC=Process No Color
P__=Paint



Pole Cap, Dome Type, Alum, 4-1/2" OD Pole

PB-5402 - Coating
PNC=Process No Color
P__=Paint

Note: 1. All assemblies are supplied standard with stainless fasteners.
2. See Reference Section for available paint colors.



Pole & Arm Caps

Pelco offers pole and arm caps in various sizes in both aluminum and steel. Caps for 4-1/2" OD posts are available in aluminum and ABS plastic.



Pole & Arm Cap, Alum

AP-0101 - **2-5/16" to 3-1/2" OD Pole**
 Coating
 PNC=Process No Color
 P__=Paint

AP-0102 - **3" to 4" OD Pole**
 Coating
 PNC=Process No Color
 P__=Paint

AP-0103 - **4-3/16" to 5-3/16" OD Pole**
 Coating
 PNC=Process No Color
 P__=Paint

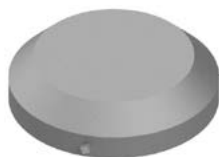
AP-0104 - **5-3/16" to 6-3/16" OD Pole**
 Coating
 PNC=Process No Color
 P__=Paint

AP-0105 - **6-1/8" to 7-1/8" OD Pole**
 Coating
 PNC=Process No Color
 P__=Paint

AP-0106 - **7-3/16" to 8-1/4" OD Pole**
 Coating
 PNC=Process No Color
 P__=Paint

AP-0107 - **8-3/16" to 9-3/16" OD Pole**
 Coating
 PNC=Process No Color
 P__=Paint

AP-0108 - **9-7/16" to 10-7/16" OD Pole**
 Coating
 PNC=Process No Color
 P__=Paint



Note: 1. All assemblies are supplied standard with stainless fasteners.
 2. See Reference Section for available paint colors.



Pole & Arm Caps

Pelco offers pole and arm caps in various sizes in both aluminum and steel. Caps for 4-1/2" OD posts are available in aluminum and ABS plastic.



AP-0109 - **Pole & Arm Cap, Alum**
10-11/16" to 11-11/16" OD Pole
 Coating
 PNC=Process No Color
 P__=Paint

AP-0110 - **Pole & Arm Cap, Alum**
11-7/8" to 12-11/16" OD Pole
 Coating
 PNC=Process No Color
 P__=Paint



AP-0450 - Pole Diameter - Coating **Pole Cap, Steel**
 P__=Paint
 13.25=12.57"-13.38" OD
 14.25=13.39"-14.38" OD
 15.25=14.39"-15.38" OD
 16.25=15.39"-16.38" OD
 17.25=16.39"-17.38" OD
 18.25=17.39"-18.38" OD
 19.25=18.39"-19.38" OD
 20.25=19.39"-20.38" OD
 21.25=20.39"-21.38" OD
 22.25=21.39"-22.38" OD
 23.25=22.39"-23.38" OD
 24.25=23.39"-24.38" OD



SH-1608 - **Post Top Cap, 4" (4-1/2" OD Pole)**
for Extruded Sign Blade, Alum
 Coating
 PNC=Process No Color
 P__=Paint

SH-1615 - **Post Top Cap, 4" (4-1/2" OD Pole)**
for Flat Sign Blade, Alum
 Coating
 PNC=Process No Color
 P__=Paint



AP-0805-PNC **Pole Cap, ABS Plastic**
for up to 4" OD Pole

AP-0806-PNC **Pole Cap, ABS Plastic**
for up to 5" OD Pole

Note: 1. All assemblies are supplied standard with stainless fasteners.
 2. Specify options when ordering.
 3. See Reference Section for available paint colors.



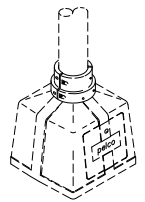
Collars & Adapters

Pole and base collar assemblies, for both square and octagonal bases, are available in highwind areas to add strength and help prevent loosening of connection.



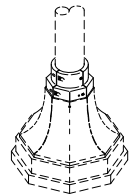
Pole & Base Collar Assembly, Alum Square Base

PB-5325 - Coating
 PNC=Process No Color
 P__=Paint



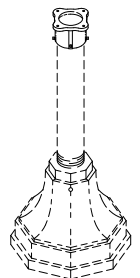
Pole & Base Collar Assembly, Alum Octagonal Base

PB-5326 - Coating
 PNC=Process No Color
 P__=Paint



Pedestal Adapter, 4" (4-1/2" OD Pole), Alum 6-1/2" Bolt Circle

SE-3104 - Coating
 PNC=Process No Color
 P__=Paint

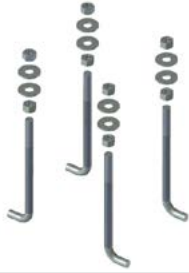


Note: 1. All assemblies are supplied standard with stainless steel fasteners.
 2. Specify options when ordering.
 3. See Reference Section for available paint colors.



Anchor Bolt Sets

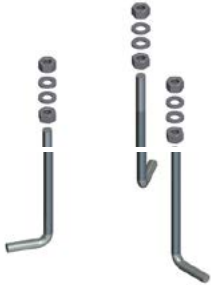
Pelco's galvanized anchor bolt sets are available in a variety of sizes.



Anchor Bolt Set of 4 w/ Hardware 1/2"-13NC x 7-1/2", Galv

AP-1046-GLV

Note: Includes 4 Bolts, 8 Washers, and 8 Nuts.



Anchor Bolt Set of 3 w/Hardware 3/4"-10NC x 18", Galv

PB-5305-GLV

Note: Includes 3 Bolts, 6 Washers and 6 Nuts.



Anchor Bolt Set of 4 w/ Hardware 3/4"-10NC x 18", Galv

PB-5306-GLV

Note: Includes 4 each: Bolts, Washers and Nuts.

PB-5518-GLV

Note: Includes 4 Bolts, 8 Washers and 8 Nuts.



Anchor Bolt Set of 4 w/ Plate Washers 3/4"-10NC x 18", Galv

PB-5371-GLV

Includes 4 Bolts, 4 Plate Washers, 4 Washers, and 4 Nuts.



Anchor Bolt Set of 4 w/ Hardware 1"-8NC x 36", Galv

AP-1007-

Template

-GLV

1=12" Bolt Circle

2=12.75" Bolt Circle

3=11" Bolt Circle

Includes 4 Bolts, 4 Lock Washers, 8 Washers, and 8 Nuts.

Note: 1. All assemblies are supplied standard with galvanized fasteners.



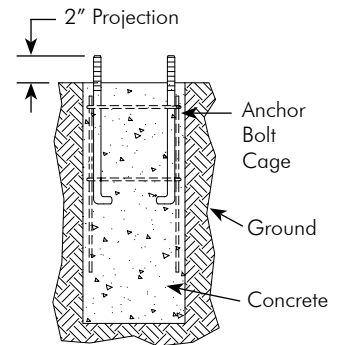
Anchor Bolt Cages

Anchor bolt cages allow the critical bolt circle dimensions to be maintained when the steel is cast into the concrete. These cages may be used instead of anchor bolt sets.



Anchor Bolt Cage, Galv
1/2"-13NC x 7-1/2" w/ 36" Rebar
5-1/2" Bolt Circle

AP-1049-GLV

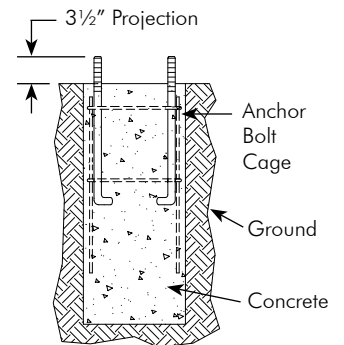


Typical Footing Detail



Anchor Bolt Cage, Galv
3/4"-10NC x 18" w/ 36" Rebar
8-1/2" Bolt Circle

AP-1089-GLV

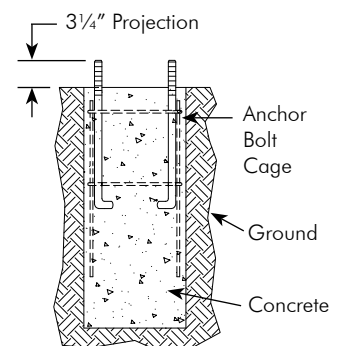


Typical Footing Detail



Anchor Bolt Cage, Galv
3/4"-10NC x 18" w/ 36" Rebar
13" Bolt Circle

AP-1095-GLV



Typical Footing Detail

Note: 1. All assemblies are supplied standard with galvanized fasteners.
 2. Footing shall be determined by end user.



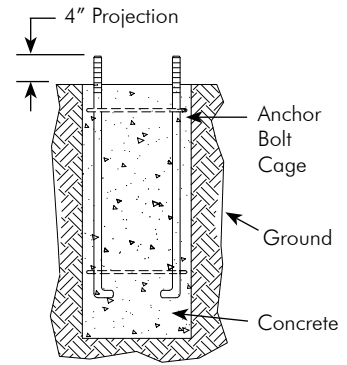
Anchor Bolt Cages

Anchor bolt cages allow the critical bolt circle dimensions to be maintained when the steel is cast into the concrete. These cages may be used instead of anchor bolt sets.



Anchor Bolt Cage, Galv
1"-8NC x 36"
15" Bolt Circle

AP-3136-GLV

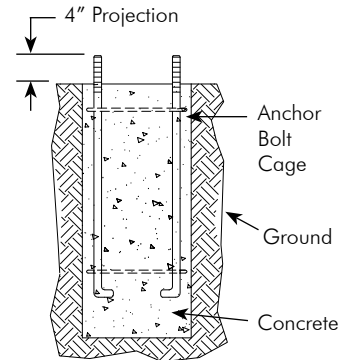


Typical Footing Detail



Anchor Bolt Cage, Galv
1"-8NC x 36"
11" Bolt Circle,

AP-3129-GLV



Typical Footing Detail

Note: 1. All assemblies are supplied standard with galvanized fasteners.
2. Footing shall be determined by end user.

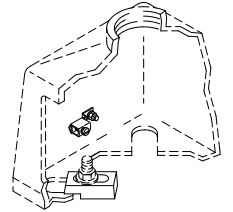


Pole & Base Accessories

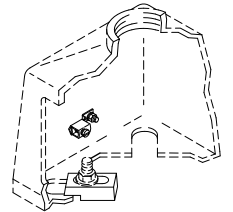
Pelco offers various accessories for pedestal bases from grounding lugs to plastic hand hole covers.



PB-5323-PNC **Grounding Lug w/ Mounting Hardware**

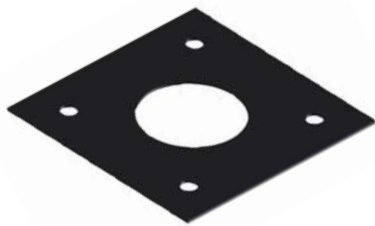


PB-0532-PNC **Anchor Bolt Adapter, Alum**



PB-0602-GLV **Shim, 1/16" x 2" x 2", Steel, Galv**

PB-0603-GLV **Shim, 1/8" x 2" x 2", Steel, Galv**



PB-0550-PNC **Template, ABS Plastic 13" Bolt Circle for Square and Octagonal Bases**



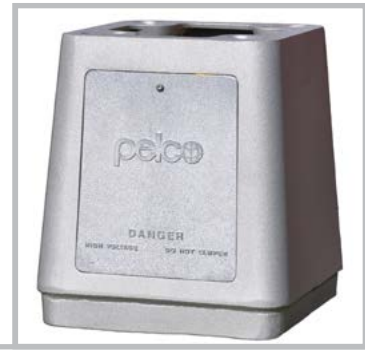
PB-5356-PNC **Universal Hand Hole Cover, ABS Plastic fits 2-3/4" x 4-1/2" to 5" x 8"**

Note: 1. All assemblies are supplied standard with stainless steel fasteners.
2. Specify options when ordering.




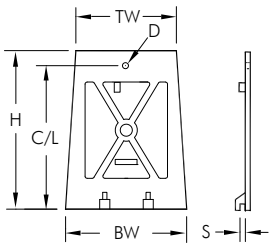
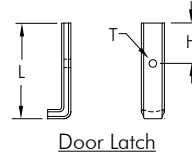
Plastic Replacement Doors

Plastic replacement doors for lighting pole bases are fabricated from tough hi-density UV inhibited plastic which offers excellent impact resistance. They give the appearance of aluminum, never needing painted and are a significant deterrent to vandalism since they have no scrap value. Pelco's doors withstand temperature extremes of -78° to +150° fahrenheit.

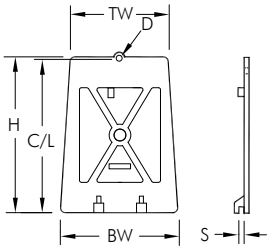


Transformer Door, Plastic

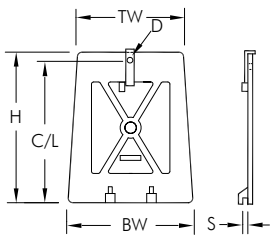
Base
Manufacturer
PB-0522 -  - PNC
*See Chart



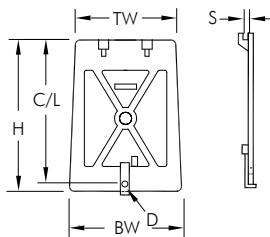
| *BASE MFG | DESCRIPTION | S | C/L | H | DOOR SIZE | | HOLE D | LATCH | | |
|-----------|-------------------|-------|----------|-----------|-----------|--------|--------|-------|-----|-----|
| | | | | | TW | BW | | L | H | T |
| 03 | Valmont, Flat | 5/16" | 12-5/8" | 13-3/4" | 7-15/16" | 9-1/4" | 3/8" | N/A | N/A | N/A |
| 04 | Union Metal, Flat | 5/16" | 13-5/16" | 13-15/16" | 7-59/64" | 9-1/4" | 3/8" | N/A | N/A | N/A |



| *BASE MFG | DESCRIPTION | S | C/L | H | DOOR SIZE | | HOLE D | LATCH | | |
|-----------|---|-------|-----------|----------|-----------|----------|--------|-------|-----|-----|
| | | | | | TW | BW | | L | H | T |
| 05-06 | Valmont-Akron, Flat (TB-1AF, TB-2AF, TB-3AF) | 1/4" | 13-1/2" | 13-1/4" | 9-1/8" | 9-1/2" | 3/8" | N/A | N/A | N/A |
| 07 | A.B. Chance, Flat | 3/8" | 13-5/16" | 13-7/8" | 9-1/16" | 9-13/16" | 3/8" | N/A | N/A | N/A |
| 12 | Hapco, Flat (56631, 56632) | 5/16" | 13-5/8" | 13-7/16" | 9-1/8" | 9-5/8" | 3/8" | N/A | N/A | N/A |
| 19 | P & K, C-98612, Flat (M-81) | 3/8" | 16-21/32" | 16-1/2" | 10-1/2" | 13-1/2" | 11/32" | N/A | N/A | N/A |



| *BASE MFG | DESCRIPTION | S | C/L | H | DOOR SIZE | | HOLE D | LATCH | | |
|-----------|--|-------|---------|-----------|-----------|----------|--------|--------|--------|----------|
| | | | | | TW | BW | | L | H | T |
| 01 | Kaiser, Curved w/ Latch | 3/8" | 13-3/4" | 14-7/8" | 10-5/8" | 11-3/4" | 11/32" | 4-5/8" | 1-3/4" | 5/16"-18 |
| 08 | P & K, Flat w/ Latch (TB2A, TB2C, TB5C) | 1/4" | 11-7/8" | 13-1/4" | 8-1/4" | 9-15/16" | 11/32" | 3-1/4" | 1-3/4" | 5/16"-18 |
| 15 | Akron, Flat w/ Latch (TB-20S) | 1/4" | 12" | 13-3/8" | 9-1/8" | 9-5/8" | 5/16" | 3-3/8" | 1-7/8" | 1/4"- 20 |
| 16 | Akron, Flat Short w/ Latch (TB-17S) | 5/16" | 11-1/8" | 11-23/32" | 9-1/8" | 9-5/8" | 5/16" | 2-3/8" | 1-1/8" | 1/4"- 20 |
| 22 | Akron, Curved w/ Latch (FP-5190) | 3/8" | 12" | 13-5/16" | 8-1/2" | 9-1/2" | 11/32" | 3-1/4" | 1-3/4" | 5/16"-18 |



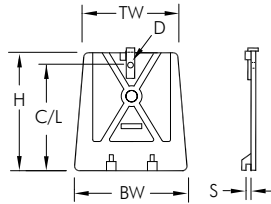
| *BASE MFG | DESCRIPTION | S | C/L | H | DOOR SIZE | | HOLE D | LATCH | | |
|-----------|---|-------|-----|---------|-----------|--------|--------|--------|--------|----------|
| | | | | | W | BW | | L | H | T |
| 10 | P & K, Flat w/ Latch (REVERSED OPENING TB-1, TB-2) | 9/16" | 12" | 13-3/8" | 8-3/8" | 9-5/8" | 11/32" | 3-1/4" | 1-3/4" | 5/16"-18 |

- Note: 1. All assemblies are supplied standard with stainless fasteners.
2. Doors w/latches include latch & vandal-resistant screw. Doors without latches are shipped without hardware.
3. Specify options when ordering.

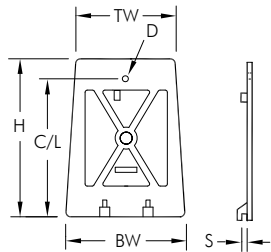


Plastic Replacement Doors

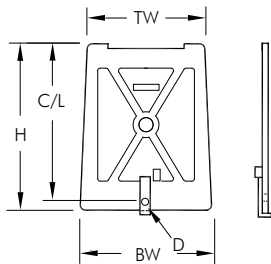
Plastic replacement doors for lighting pole bases are fabricated from tough hi-density UV inhibited plastic which offers excellent impact resistance. They give the appearance of aluminum, never needing painted and are a significant deterrent to vandalism since they have no scrap value. Pelco's doors withstand temperature extremes of -78° to +150° fahrenheit.



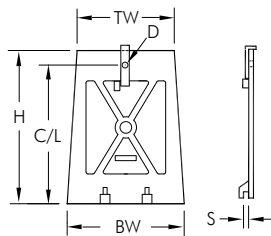
| *BASE MFG | DESCRIPTION | S | C/L | H | DOOR SIZE | | HOLE D | LATCH | | |
|-----------|-----------------------------------|-------|----------|---------|-----------|---------|--------|--------|--------|----------|
| | | | | | W | BW | | L | H | T |
| 11 | P & K, Flat Short w/ Latch (TB-4) | 5/16" | 9-13/16" | 11-1/8" | 9-9/16" | 11-5/8" | 11/32" | 3-1/4" | 1-3/4" | 5/16"-18 |



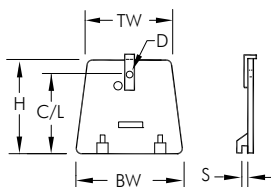
| *BASE MFG | DESCRIPTION | S | C/L | H | DOOR SIZE | | HOLE D | LATCH | | |
|-----------|---------------|-------|-----------|---------|-----------|--------|--------|-------|-----|-----|
| | | | | | TW | BW | | L | H | T |
| 13 | Valmont, Flat | 5/16" | 12-15/16" | 13-7/8" | 7-15/16" | 9-1/4" | 3/8" | N/A | N/A | N/A |
| 25 | FAB, Flat | 5/16" | 12-7/8" | 13-5/8" | 8-1/2" | 9-3/4" | 5/16" | N/A | N/A | N/A |



| *BASE MFG | DESCRIPTION | S | C/L | H | DOOR SIZE | | HOLE D | LATCH | | |
|-----------|---|-----|----------|---------|-----------|----------|--------|--------|--------|---------|
| | | | | | W | BW | | L | H | T |
| 18 | Akron, Flat, Hinged w/ Latch (REVERSE OPENING TB-17H) | N/A | 10-3/16" | 11-5/8" | 9-1/8" | 9-11/16" | 5/16" | 3-3/8" | 1-7/8" | 1/4"-20 |



| *BASE MFG | DESCRIPTION | S | C/L | H | DOOR SIZE | | HOLE D | LATCH | | |
|-----------|----------------------------|-------|---------|---------|-----------|--------|--------|--------|--------|---------|
| | | | | | W | BW | | L | H | T |
| 24 | Union Metal, Flat w/ Latch | 5/16" | 3-5/16" | 13-3/4" | 7-59/64" | 9-1/4" | 13/32" | 3-3/8" | 11/16" | 3/8"-16 |



| *BASE MFG | DESCRIPTION | S | C/L | H | DOOR SIZE | | HOLE D | LATCH | | |
|-----------|---------------------------------------|-------|--------|--------|-----------|----|--------|--------|--------|---------|
| | | | | | W | BW | | L | H | T |
| 14 | P & K, Curved, Small w/ Latch (HBS-6) | 7/32" | 4-1/2" | 5-1/4" | 5-3/16" | 6" | 9/32" | 2-3/8" | 1-1/8" | 1/4"-20 |

- Note: 1. All assemblies are supplied standard with stainless fasteners.
 2. Doors w/latches include latch & vandal-resistant screw. Doors without latches are shipped without hardware.
 3. Specify options when ordering.

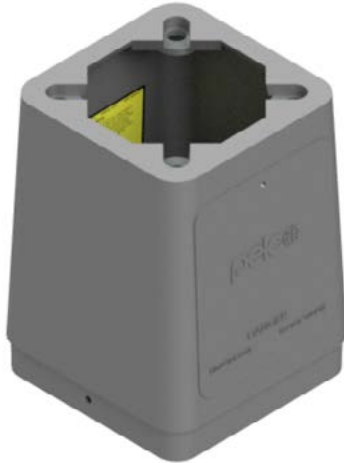


Transformer Bases

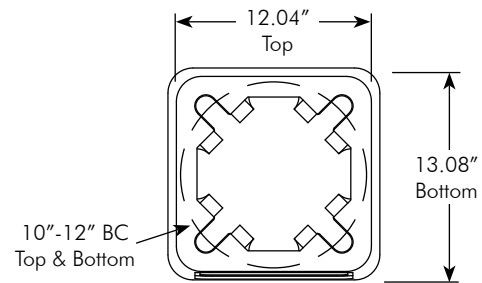
Pelco's Transformer bases stand 17" tall and comes complete with an aluminum Pelco door and 8 heavy duty galvanized steel washers. A transformer base hardware kit is optional.



Transformer Base , TB2-17, Alum w/ Pelco Door & Galvanized Washers



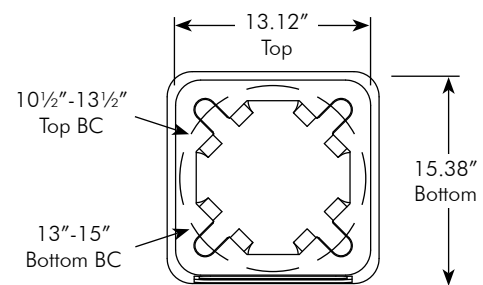
PB-5514 - -
 Hardware Kit Coating
 Blank=None PNC=Process No Color
 HK=Hardware Kit P__=Paint



Transformer Base , TB1-17, Alum w/ Pelco Door & Galvanized Washers



PB-5517 - -
 Hardware Kit Coating
 Blank=None PNC=Process No Color
 HK=Hardware Kit P__=Paint



Note: 1. Hardware kits are galvanized steel.
 2. See Reference Section for available paint colors.



Transformer Bases

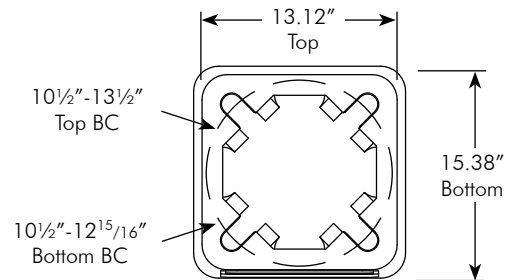
Pelco's Transformer bases stand 17" tall and comes complete with an aluminum Pelco door and 8 heavy duty galvanized steel washers. A transformer base hardware kit is optional.



Transformer Base , TB1-17 Modified, Alum w/ Pelco Door & Galvanized Washers



PB-5538 - -
 Hardware Kit Coating
 Blank=None PNC=Process No Color
 HK=Hardware Kit P__=Paint



Hardware Kit , Transformer Base 1"-8NC x 4", Set of 4, Galvanized



PB-5437-GLV

Note:
 For mounting base plates to the top of Transformer Bases.
 Includes 4 Hex Head Bolts, 8 Washers, 4 Lock Washers, and 4 Hex Nuts.

Note: 1. Hardware kits are galvanized steel.
 2. See Reference Section for available paint colors.



Ornamental Pole Top & Bases

Pelco's decorative pole top and bases make the traffic signal aesthetically pleasing to the eye. In addition to the standar 4-piece, Pelco also manufactures the bases with an easy access door. Available for various pole diameters and with multiple finish options.



Ornamental Pole Top, Cast Alum, 5-1/4" - 24-1/4" Diameter Pole (36" in Height)

| | | | | | | |
|---------|---|----------------------------------|---|------------------------------------|---|-----------------------------------|
| PB-5315 | - | Cap Size <input type="text"/> | - | Trim Color <input type="text"/> | - | Coating <input type="text"/> |
| | | 5.25 thru 24.25 | | T__=Paint | | PNC=Process No Color P__=Paint |

Note:
Cap Size available in 1" increments.

Ornamental Pole Base, 4-Piece Cast Alum, 8" - 12" Diameter Pole (27" Footprint)

| | | | | | | |
|---------|---|---------------------------------------|---|------------------------------------|---|-----------------------------------|
| PB-5354 | - | Pole Diameter <input type="text"/> | - | Trim Color <input type="text"/> | - | Coating <input type="text"/> |
| | | 8.00 thru 12.00 | | T__=Paint | | PNC=Process No Color P__=Paint |



Ornamental Pole Base, 4-Piece Cast Alum, 12" - 16" Diameter Pole (30" Footprint)

| | | | | | | |
|---------|---|---------------------------------------|---|------------------------------------|---|-----------------------------------|
| PB-5355 | - | Pole Diameter <input type="text"/> | - | Trim Color <input type="text"/> | - | Coating <input type="text"/> |
| | | 12.00 thru 16.00 | | T__=Paint | | PNC=Process No Color P__=Paint |

Ornamental Pole Base, 4-Piece Cast Alum, 10" - 26" Diameter Pole (40" Footprint)

| | | | | |
|---------|---|---------------------------------------|---|-----------------------------------|
| PB-5381 | - | Pole Diameter <input type="text"/> | - | Coating <input type="text"/> |
| | | 10.00 thru 26.00 | | PNC=Process No Color P__=Paint |

Note: 1. All assemblies are supplied standard with stainless hardware.
2. Contact Pelco for a complete Ornamental product catalog.
3. See Reference Section for available paint colors.

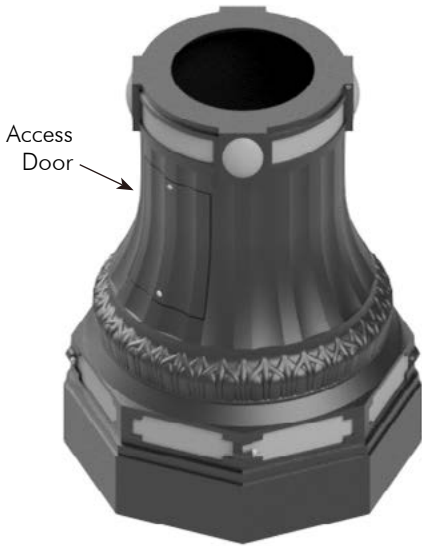


Ornamental Pole Top & Bases

Pelco's decorative pole top and bases make the traffic signal aesthetically pleasing to the eye. In addition to the standard 4-piece, Pelco also manufactures the bases with an easy access door. Available for various pole diameters and with multiple finish options.



Ornamental Pole Base w/ Access Door, 4-Piece Cast Alum, 8" - 12" Diameter Pole (27" Footprint)



PB-5509 - Pole Diameter - Trim Color - Coating
 8.00 thru 12.00 T__=Paint PNC=Process No Color
 P__=Paint

Ornamental Pole Base w/ Access Door, 4-Piece Cast Alum, 12" - 16" Diameter Pole (30" Footprint)

PB-5510 - Pole Diameter - Trim Color - Coating
 12.00 thru 16.00 T__=Paint PNC=Process No Color
 P__=Paint

Ornamental Pole Base w/ Access Door, 4-Piece Cast Alum, 10" - 26" Diameter Pole (40" Footprint)

PB-5519 - Pole Diameter - Coating
 10.00 thru 26.00 PNC=Process No Color
 P__=Paint

MAST ARMS & POLES



Note: 1. All assemblies are supplied standard with stainless hardware.
 2. Contact Pelco for a complete Ornamental product catalog.
 3. See Reference Section for available paint colors.



Pole & Arm Clamps

Pelco's strain pole clamps are available in various sizes and configurations from 1-way to 4-way. All clamps are hot dip galvanized per ASTM A123.



AP-1052-GLV **Strain Pole Clamp Assy, 1-Way
5-1/2" - 7-1/2" Dia Pole, Steel**

AP-1003-GLV **Strain Pole Clamp Assy, 1-Way
7-1/2" - 10-1/2" Dia Pole, Steel**

AP-1051-GLV **Strain Pole Clamp Assy, 1-Way
10-1/2" - 13-1/2" Dia Pole, Steel**



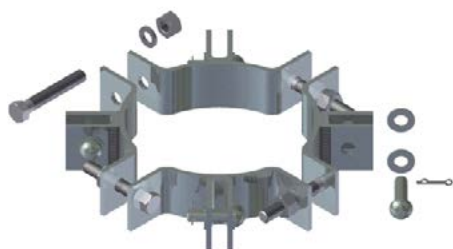
AP-1004-GLV **Strain Pole Clamp Assy, 2-Way
7-1/2" - 10-1/2" Dia Pole, Steel**

AP-1113-GLV **Strain Pole Clamp Assy, 2-Way
10-1/2" - 13-1/2" Dia Pole, Steel**

AP-1152-GLV **Strain Pole Clamp Assy, 2-Way
13-1/2" - 16-1/2" Dia Pole, Steel**



AP-1005-GLV **Strain Pole Clamp Assy, 3-Way
7-1/2" - 10-1/2" Dia Pole, Steel**



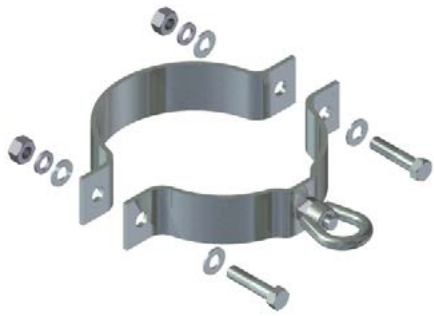
AP-1006-GLV **Strain Pole Clamp Assy, 4-Way
7-1/2" - 10-1/2" Dia Pole, Steel**

Note: All assemblies are supplied standard with galvanized hardware.



Pole & Arm Clamps

Pelco's strain pole clamps are available in various sizes and configurations from 1-way to 4-way. All clamps are hot dip galvanized per ASTM A123.



AP-1053-GLV **Strain Pole Clamp Assy, 2-Piece w/ Eyelet
7-1/2" - 8-1/4" Dia Pole, Steel**

AP-1054-GLV **Strain Pole Clamp Assy, 2-Piece w/ Eyelet
8-1/4" - 8-3/4" Dia Pole, Steel**

AP-1055-GLV **Strain Pole Clamp Assy, 2-Piece w/ Eyelet
9" - 10" Dia Pole, Steel**

AP-1056-GLV **Strain Pole Clamp Assy, 2-Piece w/ Eyelet
10" - 11" Dia Pole, Steel**

AP-1072-GLV **Strain Pole Clamp Assy, 2-Piece w/ Eyelet
10-3/4" - 11-3/4" Dia Pole, Steel**

AP-1057-GLV **Strain Pole Clamp Assy, 2-Piece w/ Eyelet
12" - 13" Dia Pole, Steel**



AP-1122-GLV **Strain Pole Clamp Assy, 2-Way
2-Piece w/ Eyelet
7-1/2" - 8-1/4" Dia Pole, Steel**

Note: All assemblies are supplied standard with galvanized hardware.



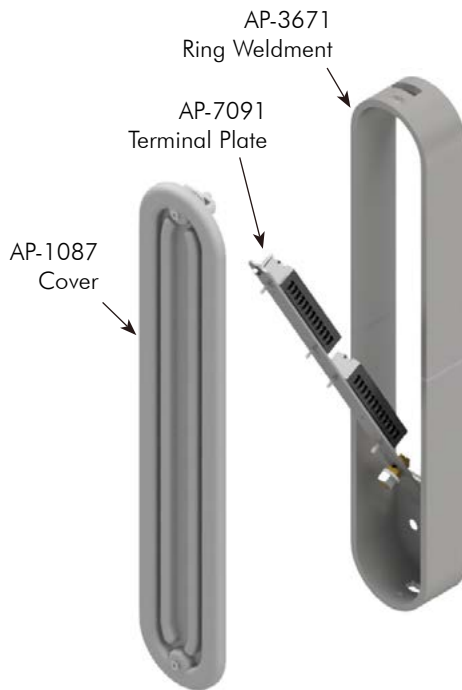
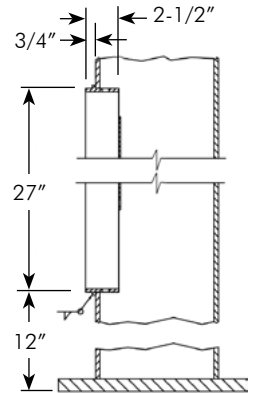
ITC Access Compartments

Pelco's ITC, Integral Terminal Compartment and Hand Hole, is an industry standard that has a low profile and unobstructed opening. The fold-out terminal plate provides for easier wiring access. Available with three terminal block options.



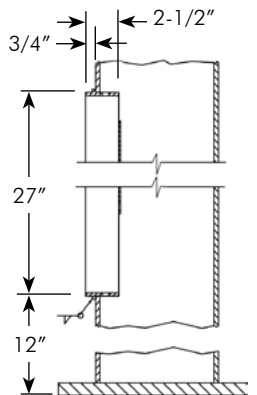
ITC Access Compartment w/ Door 3/8" x 4-3/4" x 27" w/ 12 Circuit

| | | |
|---|---|-----------------------------------|
| Terminal Block | Double Fuse Block | Coating |
| AP-1083 - <input type="checkbox"/> | - <input type="checkbox"/> | - <input type="checkbox"/> |
| 85A=Compression 65A=Compression 30A=Barrier Strip | Blank=None 3AF=3 Amp Fuse 10F=10 Amp Fuse | PNC=Process No Color P__=Paint |



ITC Access Compartment w/ Door Fold out Terminals 3/8" x 4-3/4" x 27" w/ 12 Circuit

| | | |
|---|---|-----------------------------------|
| Terminal Block | Double Fuse Block | Coating |
| AP-1125 - <input type="checkbox"/> | - <input type="checkbox"/> | - <input type="checkbox"/> |
| 85A=Compression 65A=Compression 30A=Barrier Strip | Blank=None 3AF=3 Amp Fuse 10F=10 Amp Fuse | PNC=Process No Color P__=Paint |



Note: 1. All assemblies are supplied standard with stainless steel fasteners.
2. See Reference Section for available paint colors.



ITC Access Compartments

Pelco's ITC, Integral Terminal Compartment and Hand Hole, is an industry standard that has a low profile and unobstructed opening. The fold-out terminal plate provides for easier wiring access. Available with three terminal block options.



AP-1087-PNC **ITC Cover Assembly,
Vacuum formed ABS**



AP-1081-PNC **Double Fuse Block Kit, 600V, 3 Amp Fuse**



AP-1117-PNC **Double Fuse Block Kit, 600V, 10 Amp Fuse,
Texas Spec**

Note: All assemblies are supplied standard with stainless steel fasteners.



ITC Access Compartments

Pelco's ITC, Integral Terminal Compartment and Hand Hole, is an industry standard that has a low profile and unobstructed opening. The fold-out terminal plate provides for easier wiring access. Available with three terminal block options.



AP-1082-PNC **Terminal Block Assy, 85 Amp, 600V Compression Terminal Block w/ Hardware and Copper Ground Connector**

Note:
Terminal block conductor range for 85 Amp compression block option is 1-#18 thru 4-#10 per screw.



AP-1065-PNC **Terminal Block Assy, 65 Amp, 600V Compression Terminal Block w/ Hardware and Copper Ground Connector**

Note:
Terminal block conductor range for 65 Amp compression block option is 1-#18 thru 3-#12 per screw.



AP-1074-PNC **Terminal Block Assy, 30 Amp, 300V Terminal Strip Barrier Type w/ Hardware and Copper Ground Connector**

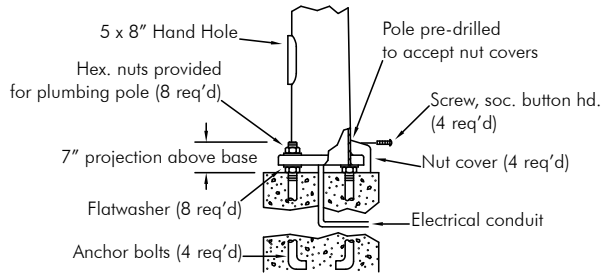
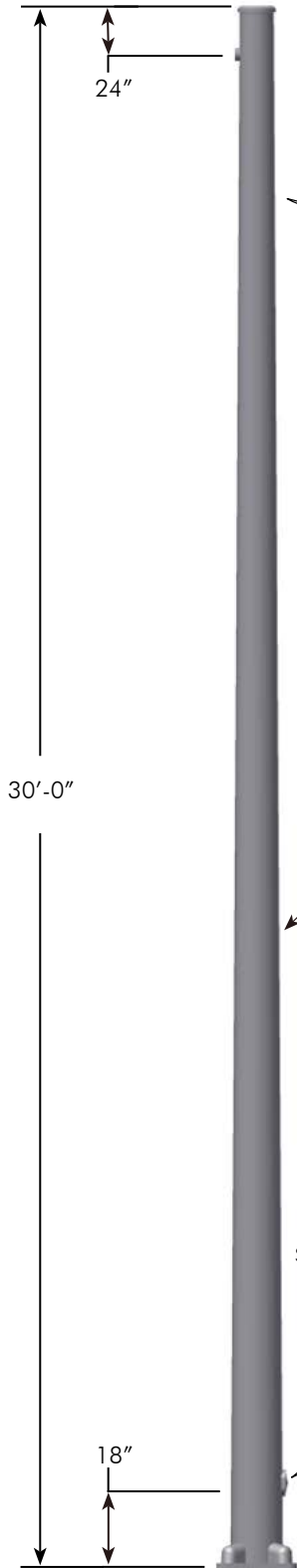
Note: All assemblies are supplied standard with stainless steel fasteners.

Typical Strain Pole

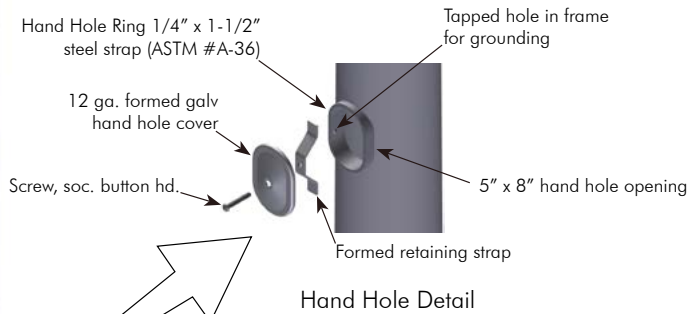
Pelco fabricates a variety of steel and aluminum mast arms and poles, ornamental or custom structures. Pelco offers numerous finishes from hot dip galvanized to powder coating. The strain pole clamp can be supplied in various sizes in 1-way thru 4-way options.

| MATERIAL SPECIFICATIONS | | |
|-------------------------|-------------|--------------------|
| | | GALV (IF REQUIRED) |
| POLE | ASTM A-595 | ASTM A123 |
| POLE | ASTM A-36 | ASTM A123 |
| MISC. PLATE & BAR | ASTM A-36 | ASTM A123 |
| ANCHOR BOLT | A-36 MOD 55 | ASTM A153 |
| ANCHOR BOLT NUT | ASTM A-563 | ASTM A153 |

- Note:
1. Hot dip galvanized after fabrication.
 2. Contact Pelco with specific requirements.



Pole Base and Anchor Bolt Detail



| TUBE BUTT DIAMETER | ANCHOR BOLT SIZE |
|--------------------|-------------------|
| 14" | 2"-4-1/2 NC x 90" |
| 13" | 1-3/4"-5 NC x 90" |
| 12" | 1-1/2"-6 NC x 60" |

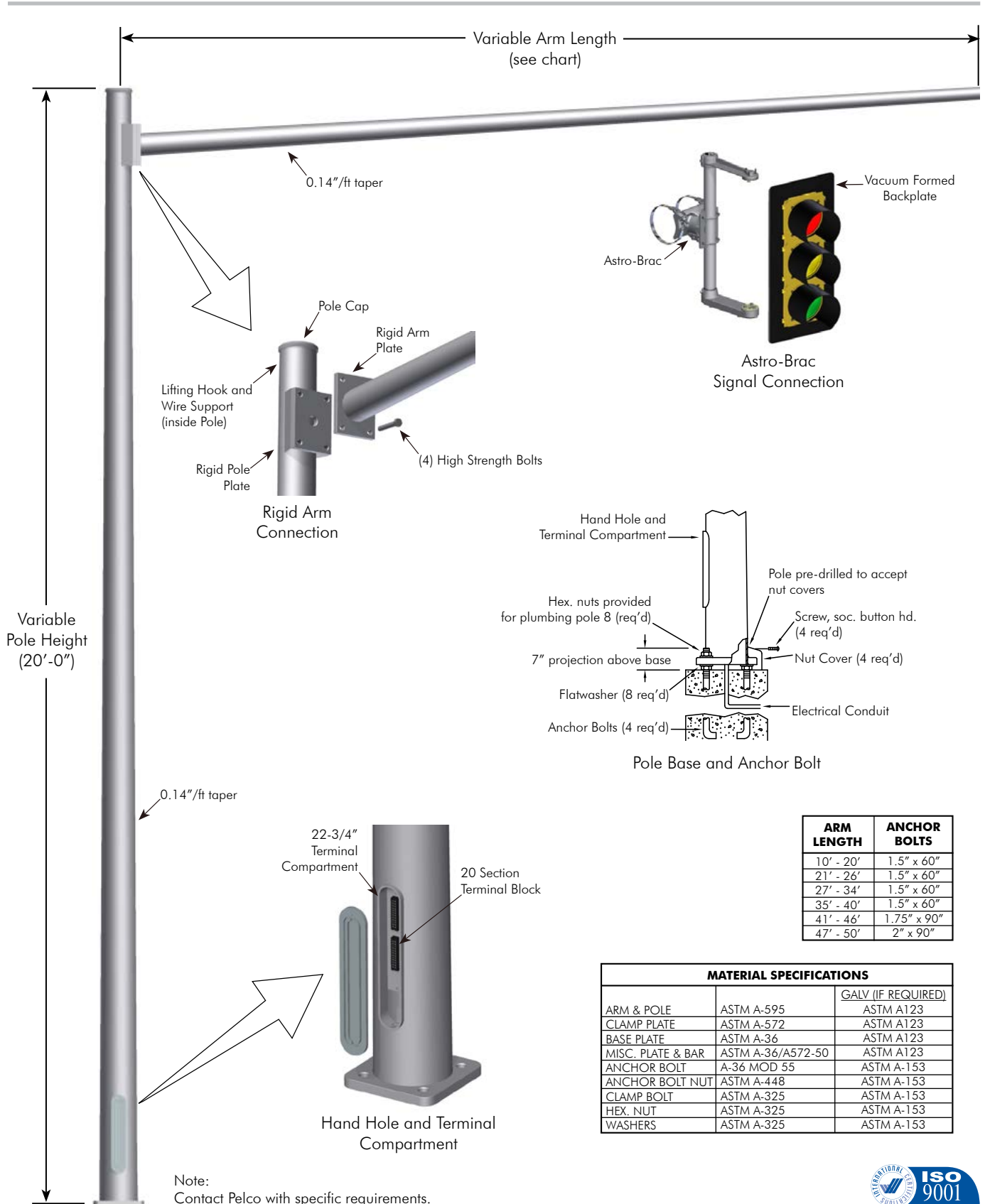


MAST ARMS & POLES



Typical Mast Arm & Pole

Pelco fabricates a variety of steel and aluminum mast arms and poles, ornamental or custom structures. Pelco offers numerous finishes from hot dip galvanized to powder coating. The ITC access compartment makes wiring and maintenance trouble free.



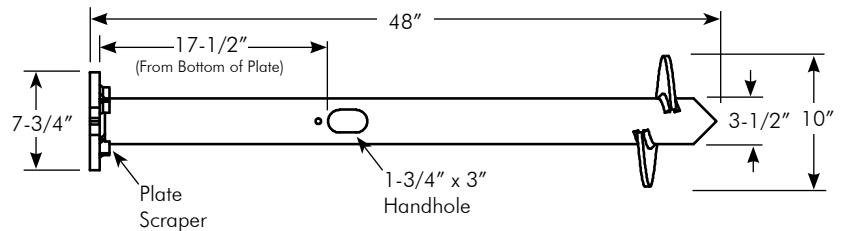
This page is intentionally left blank.

Foundation Anchors

Pelco's foundation anchors feature a top plate which enables the bolt head to be inserted after the anchor is in place. This eliminates the necessity of digging under the plate to install base bolts. Plate scrapers loosen the soil for easy bolt installation from top of the plate. The bolt is held by the plate scraper which prevents it from turning.



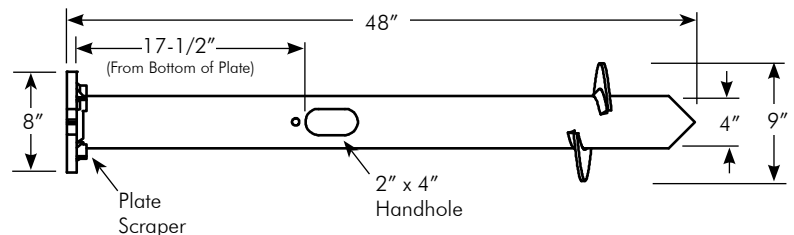
PB-5369-GLV **Foundation Anchor Assy, 3" Sch 40 x 4'-0" 4-1/2" to 6-1/2" Bolt Circle, 1/2"-13NC Hardware**



Note:
For residential, ornamental, and walkway lighting with small bases. (wt. 46 lbs.)



PB-5508-GLV **Foundation Anchor Assy, 3 1/2" Sch 40 x 4'-0" 4-1/2" to 6-1/2" Bolt Circle, 1/2"-13NC Hardware**



Note:
For residential, ornamental, and walkway lighting with small bases. (wt. 43 lbs.)

- Note: 1. Foundation anchors are hot dip galvanized per ASTM A123.
2. All assemblies are supplied with Grade 5 Galvanized Bolts.
3. All assemblies with hardware are bagged in a nylon weatherproof bag.

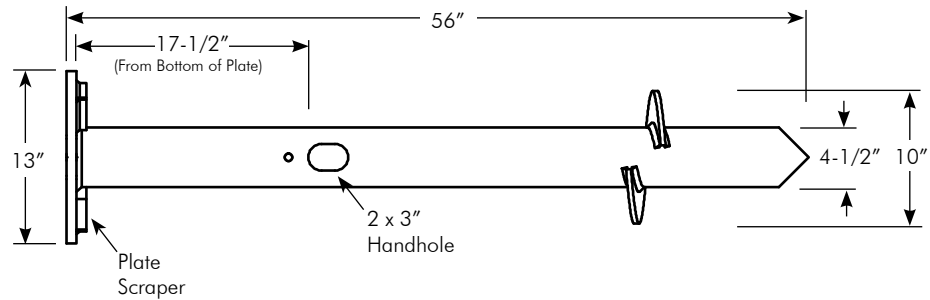


Foundation Anchors

Pelco's foundation anchors feature a top plate which enables the bolt head to be inserted after the anchor is in place. This eliminates the necessity of digging under the plate to install base bolts. Plate scrapers loosen the soil for easy bolt installation from top of the plate. The bolt is held by the plate scraper which prevents it from turning.



PB-5364-GLV Foundation Anchor Assy, 4" Sch 40 x 4'-8"
8-1/4" to 14-3/4" Bolt Circle
3/4"-10NC Hardware



Note:
For residential lights, parking lots, and street lights. Typically for pole heights up to 16'. (wt. 94 lbs.)

- Note: 1. Foundation anchors are hot dip galvanized per ASTM A123.
- 2. All assemblies are supplied with Grade 5 Galvanized Bolts.
- 3. All assemblies with hardware are bagged in a nylon weatherproof bag.



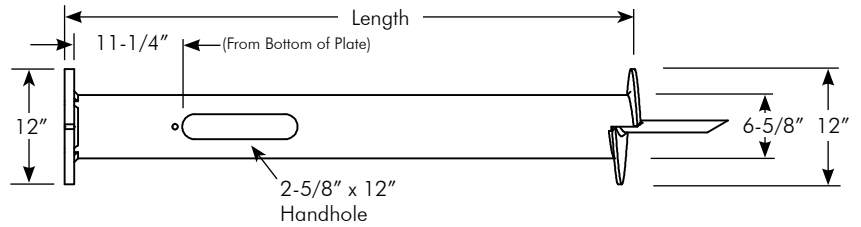
Foundation Anchors

Pelco's foundation anchors feature a top plate which enables the bolt head to be inserted after the anchor is in place. This eliminates the necessity of digging under the plate to install base bolts. Plate scrapers loosen the soil for easy bolt installation from top of the plate. The bolt is held by the plate scraper which prevents it from turning.

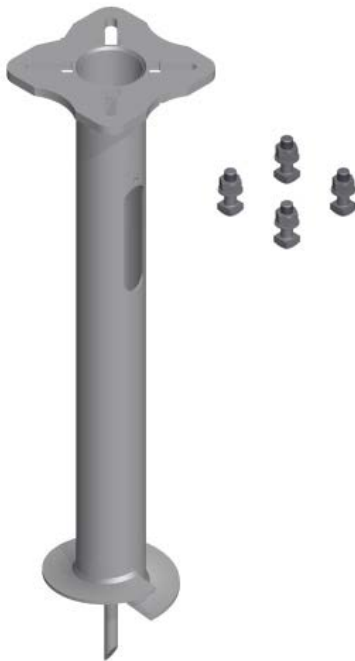


Foundation Anchor Assy, 6" Sch 40 x Length 9" to 14" Bolt Circle 1"-8NC Hardware

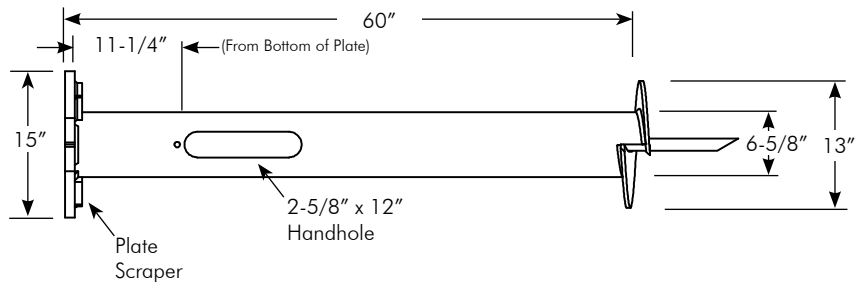
PB-5537 - Length - GLV
 48=4'-0"
 60=5'-0"
 72=6'-0"
 84=8'-0"



Note:
 48' (wt. 115 lbs.); 60" (wt. 134 lbs.); 72" (wt. 152 lbs.); 84" (wt. 172 lbs.)



PB-5372-GLV Foundation Anchor Assy, 6" Sch 40 x 5'-0" 10" to 15" Bolt Circle 1"-8NC Hardware



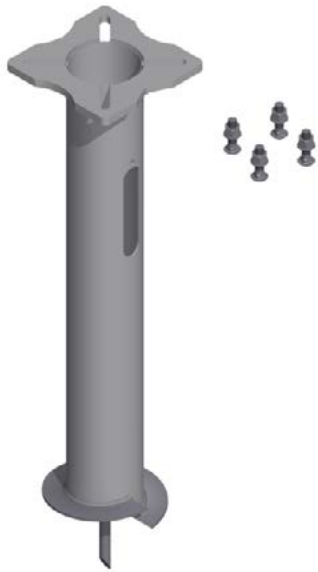
Note:
 For residential lights, parking lots, etc. Typically for poles ranging from 20'-30' in height. (wt. 167 lbs.)

- Note: 1. Foundation anchors are hot dip galvanized per ASTM A123.
 2. All assemblies are supplied with Grade 5 Galvanized Bolts.
 3. All assemblies with hardware are bagged in a nylon weatherproof bag.

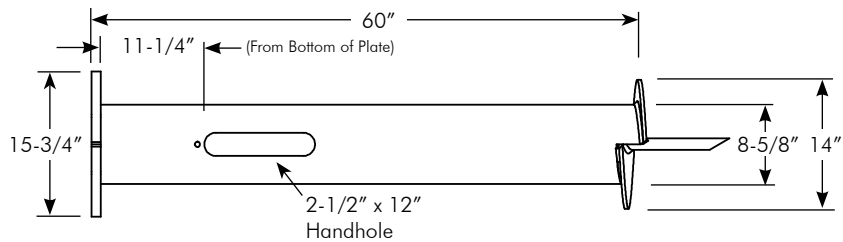


Foundation Anchors

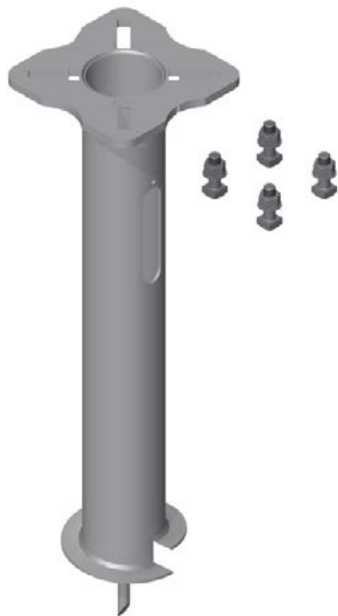
Pelco's foundation anchors feature a top plate which enables the bolt head to be inserted after the anchor is in place. The carriage bolts, in the hardware kit, are locked in place by the slots in the top plate, preventing them from turning.



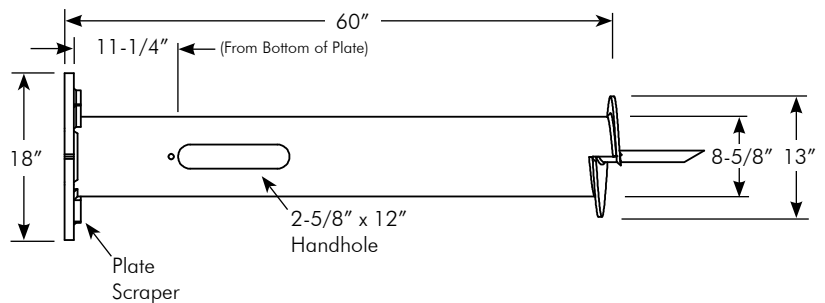
PB-5534-GLV Foundation Anchor Assy, 8" Sch 20 x 5'-0"
11" to 17" Bolt Circle
1"-8NC Hardware



Note:
 For street and highway lighting. Typically for poles ranging from 30'-50' in height. (wt.184 lbs.)



PB-5375-GLV Foundation Anchor Assy, 8" Sch 40 x 5'-0"
13" to 18" Bolt Circle
1-1/4"-7NC Hardware



Note:
 For street and highway lighting. Typically for poles ranging from 30'-50' in height. (wt. 239 lbs.)

- Note: 1. Foundation anchors are hot dip galvanized per ASTM A123.
 2. All assemblies are supplied with Grade 5 Galvanized Bolts.
 3. All assemblies with hardware are bagged in a nylon weatherproof bag.

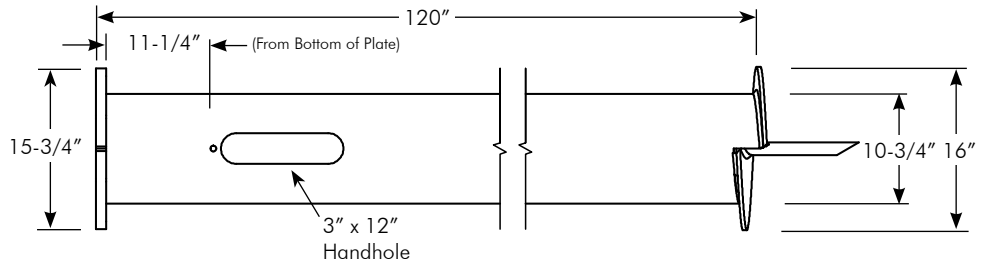


Foundation Anchors

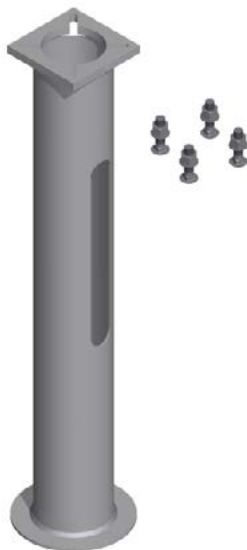
Pelco's foundation anchors feature a top plate which enables the bolt head to be inserted after the anchor is in place. The carriage bolts, in the hardware kit, are locked in place by the slots in the top plate, preventing them from turning.



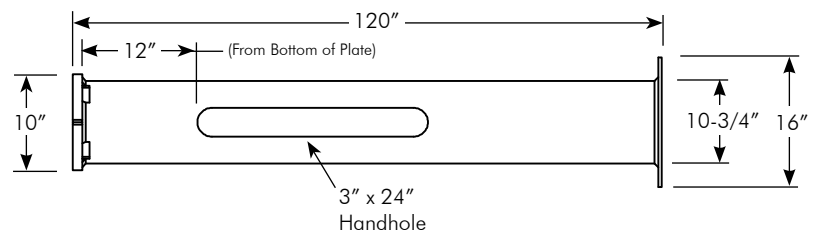
PB-5535-GLV Foundation Anchor Assy, 10" Sch 20 x 10'-0"
13-1/2" to 17" Bolt Circle
1"-8NC Hardware



Note:
 For street and highway lighting. Typically for poles ranging from 30'-50' in height. (wt. 359 lbs.)



SP-6360-GLV Foundation Anchor Assy, 8" Sch 20 x 5'-0"
8" to 11" Bolt Circle,
3/4"-10NC Hardware



Note:
 Designed to be stabilized in concrete footing. Typically for poles up to 30' in height. (wt. 141 lbs)

- Note: 1. Foundation anchors are hot dip galvanized per ASTM A123.
 2. All assemblies are supplied with Grade 5 Galvanized Bolts.
 3. All assemblies with hardware are bagged in a nylon weatherproof bag.



Foundation Anchors

Various accessories are available to assist in installation of foundation anchors and anchor bolts.



Driver Adapter for Foundation Anchor Steel

PB-0604-ZN1



Note: Required to connect the Kelly Bar adapter (not supplied) to the foundation anchor for installation. Special hole pattern permits installation of foundation anchors having bolt circle diameters of 9" to 14-3/4". Zinc 1 Finish.

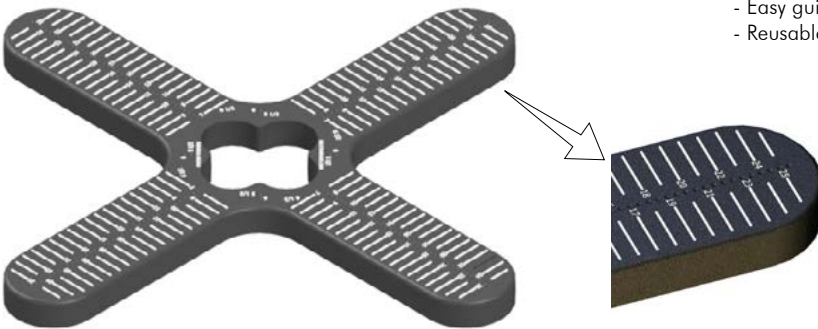


PB-0602-GLV **Shim, 1/16" x 2" x 2" Galvanized Steel**

PB-0603-GLV **Shim, 1/8" x 2" x 2" Galvanized Steel**

AP-3085-PNC **Anchor Bolt Template, ABS Plastic**

- Quick, easy set-up in minutes
- 41 different bolt circle patterns, 5-1/2" to 25-1/2"
- Easy guide divots every 1/2"
- Reusable



The Bolt Template is a reusable "tool" used for layout of bolts to be used in concrete for the future installation of poles. Constructed of UV stabilized ABS plastic, the Bolt Template may be used for various bolt patterns from 5-1/2" up to 25-1/2". Accepts multiple conduits through the center with the capacity for up to two 2" conduits and multiple smaller conduits at one time.

Note: See Section T11 for anchor bolt sets and cages.



GPL Geometrically Programmed Louvers

The Pelco GPL is a precisely aimed and controlled traffic signal louvering system which is designed for quick easy installation. Drivers see a full circle of bright projected light when they are within the preset field of vision. The GPL is available without a visor or with a full circle visor that easily replaces the existing visor on most signals.



GPL, Geometrically Programmed Louver, 12" w/o Visor

GL-1001 - - PNC

Cut-Off

7=7°
8=8°
9=9°
11=11°
13=13°
15=15°
23.5=23.5°
42=42°

GPL, Geometrically Programmed Louver, 12" w/ Visor w/ Universal Clips



GL-1010 - -

Cut-Off Coating

7=7° P__=Paint
8=8°
9=9°
11=11°
13=13°
15=15°
23.5=23.5°
42=42°

Note: 1. All assemblies are supplied standard with stainless steel fasteners.
2. Universal Clips fit Eagle, Econolite, TCT, Mark IV, and McCain signals.
3. See Reference Section for available paint colors.

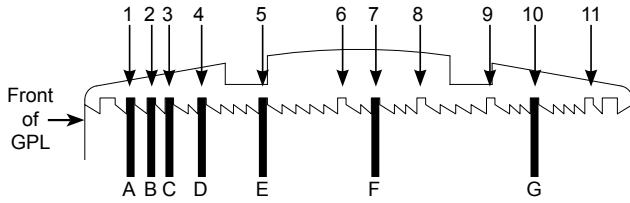


GPL View Angle Adjustments

The Pelco GPL is a precisely aimed and controlled traffic signal lowering system which is designed for quick easy installation. Drivers see a full circle of bright projected light when they are within the preset field of vision. The GPL is available without a visor or with a full circle visor that easily replaces the existing visor on most signals.

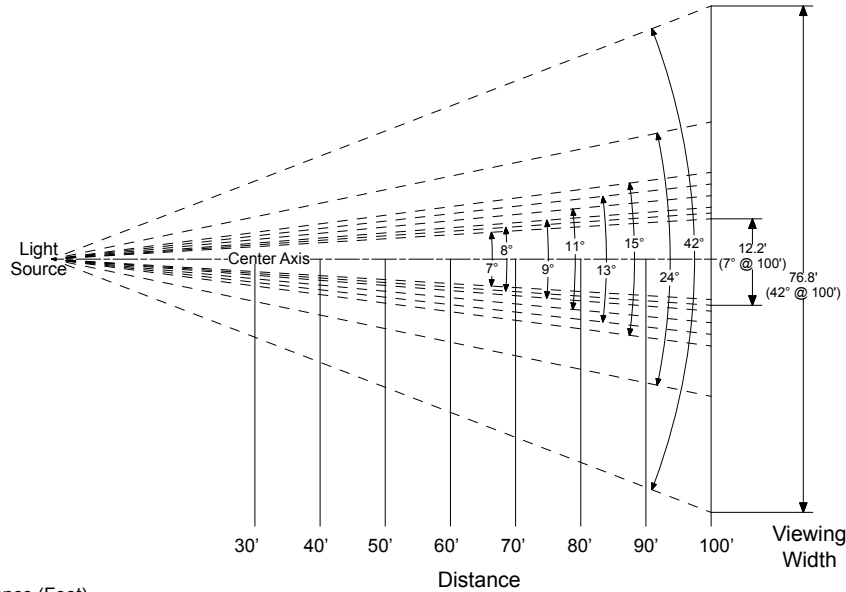


GPL Baffle Locations 1 thru 11



Baffles A thru G
(Baffles shown in factory set positions for 8° View Angle)

| View Angle | Baffle Position for GPL |
|------------|---|
| 7° | Move baffle "G" to #11 position |
| 8° | All baffles in factory set position #1, 2, 3, 4, 5, 7, & 10 |
| 9° | Move baffle "G" to #9 position |
| 11° | Move baffle "G" to #8 position |
| 13° | Omit baffle "G" completely |
| 15° | Omit baffle "G" completely & move baffle "F" to #6 position |
| 23½° | Omit baffle "F" & "G" completely |
| 42° | Omit baffle "E", "F" & "G" completely |



| View Angle (Degrees) | Distance (Feet) | | | | | | | |
|----------------------|-----------------|-------|-------|-------|-------|-------|-------|-------|
| | 40' | 50' | 60' | 70' | 80' | 90' | 100' | 120' |
| 7° | 4.9' | 6.1' | 7.3' | 8.6' | 9.8' | 11.0' | 12.2' | 14.7' |
| 8° | 5.6' | 7.0' | 8.4' | 9.8' | 11.2' | 12.6' | 14.0' | 16.8' |
| 9° | 6.3' | 7.9' | 9.4' | 11.0' | 12.6' | 14.2' | 15.7' | 18.9' |
| 11° | 7.7' | 9.6' | 11.6' | 13.5' | 15.4' | 17.3' | 19.3' | 23.1' |
| 13° | 9.1' | 10.5' | 13.7' | 16.0' | 18.2' | 20.5' | 22.8' | 27.3' |
| 15° | 10.5' | 13.2' | 15.8' | 18.4' | 21.1' | 23.7' | 26.3' | 31.6' |
| 23°30' | 16.6' | 20.8' | 25' | 29.1' | 33.3' | 37.4' | 41.6' | 49.9' |
| 42° | 30.7' | 38.4' | 46.1' | 53.7' | 61.4' | 69.1' | 76.8' | 92.1' |

TRAFFIC ACCESSORIES



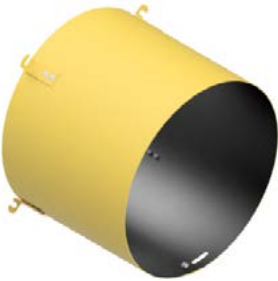
Aluminum Signal Visors

Full circle and tunnel signal visors are supplied with a universal clip for attachment to signal. Black inside, federal yellow or black outside.



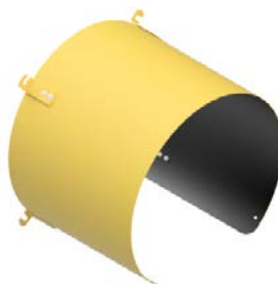
Visor, Full Circle w/ Slots for 12" GPL w/ Universal Clips

SM-1028-UC - Coating
P__=Paint



Visor, Full Circle w/o Slots for 12" Signal w/ Universal Clips

SM-1031-UC - Coating
P__=Paint



Visor, Tunnel for 12" Signal w/ Universal Clips

SM-1034-UC - Coating
P__=Paint



Universal Clip Set of 4

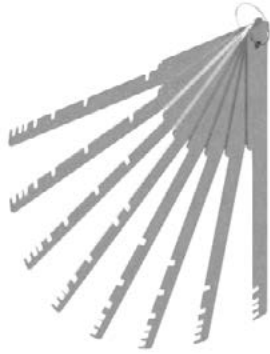
SM-1040 - Coating
P__=Paint

- Note: 1. All assemblies are supplied standard with stainless steel fasteners.
2. Universal Clips fit Eagle, Econolite, TCT, Mark IV, and McCain signals.
3. See Reference Section for available paint colors.



Signal Accessories

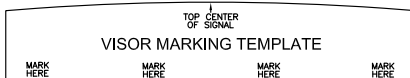
The adjustment tool makes it easy to install and adjust a GPL in an existing visor. Pelco also provides a complete installation kit.



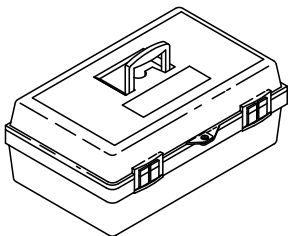
GL-1008-PNC **GPL Combs, Baffle Adjustment Set of 8, Stainless**
Includes 7°, 8°, 9°, 11°, 13°, 15°, 23.5°, 42°



GL-1002-PNC **Adjustment Tool, GPL w/ Depth Gauge**



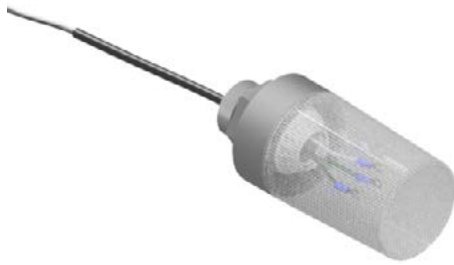
GL-2001-PNC **Installation Kit w/o Screw Gun**
Includes: adjustment tool, visor marking template & sleeve, marking pen, 1/4" & 5/16" shock cord in a small tool box.



GL-2002-PNC **Installation Kit w/ Screw Gun**
Includes: adjustment tool, visor marking template & sleeve, marking pen, 1/4" & 5/16" shock cord, cordless screw gun, battery & charger in a large tool box.

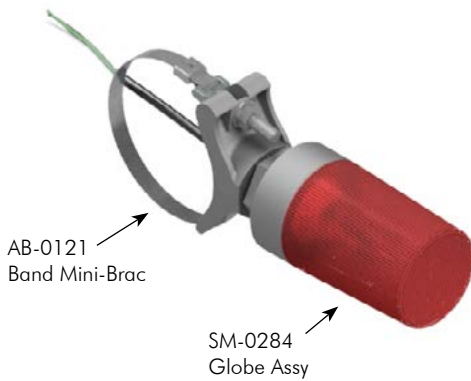
Confirmation Lights

Used to confirm a traffic signal is red when a car enters the intersection.
Available in clear, red, or blue and various mounting applications.



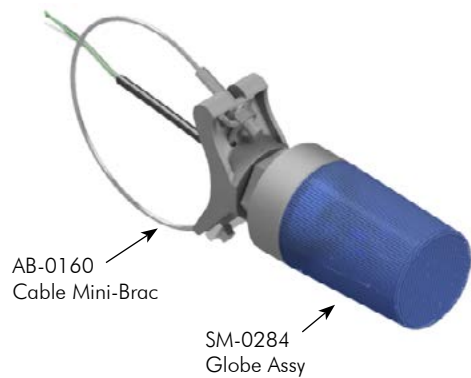
Confirmation Light Assy w/ Globe

| | | | |
|---------|-------------------------------|---|-----------------------------------|
| | Globe Color | - | Coating |
| SM-0284 | - <input type="text"/> | - | <input type="text"/> |
| | CL=Clear RD=Red BL=Blue | | PNC=Process No Color P__=Paint |



Confirmation Light Assy w/ Globe Band Mount Astro Mini-Brac

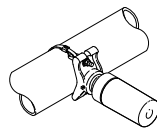
| | | | | | | | |
|---------|-------------------------------|---|----------------------------|---|----------------------------|---|-----------------------------------|
| | Globe Color | - | Band Length | - | Stainless Upgrade | - | Coating |
| SM-0286 | - <input type="text"/> | - | <input type="text"/> | - | <input type="text"/> | - | <input type="text"/> |
| | CL=Clear RD=Red BL=Blue | | 29=29" Band 42=42" Band | | Blank=Galv SS=Stainless | | PNC=Process No Color P__=Paint |



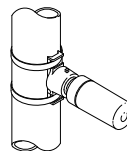
Confirmation Light Assy w/ Globe Cable Mount Astro Mini-Brac

| | | | | | | | |
|---------|-------------------------------|---|--|---|----------------------------|---|-----------------------------------|
| | Globe Color | - | Cable Length | - | Stainless Upgrade | - | Coating |
| SM-0321 | - <input type="text"/> | - | <input type="text"/> | - | <input type="text"/> | - | <input type="text"/> |
| | CL=Clear RD=Red BL=Blue | | 45=45" Cable 62=62" Cable 84=84" Cable | | Blank=Galv SS=Stainless | | PNC=Process No Color P__=Paint |

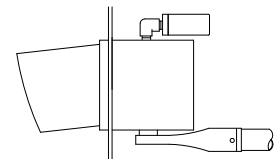
Typical Applications:



Mast Arm Mount
Astro-Mini-Brac



Side-of-Pole Mount
Banded Narrow Hub



Plumbizer Mount

Note: 1. All assemblies are supplied standard with stainless fasteners and natural aluminum coating. Stainless upgrade to include stainless steel clamp screw or stainless cable.
2. See Reference Section for available paint colors.



Copper Safe® Cable Retainers

Pelco's anti-theft Cable Retainers are the best solution to help prevent copper cable theft in roadway lighting and traffic poles. Cable Retainers are available in various sizes, are easy to install, and work with Pelco's foundation anchors or existing foundations.



SP-6224-GLV **Cable Retainer Assy,
For 4" Foundation Anchor,
Galvanized Steel**

Note:
Works with Pelco's PB-5364 4" Foundation Anchor or with existing foundations with a 8" to 13-1/2" bolt circle. Secures 3/16" to 1/2" diameter cables.



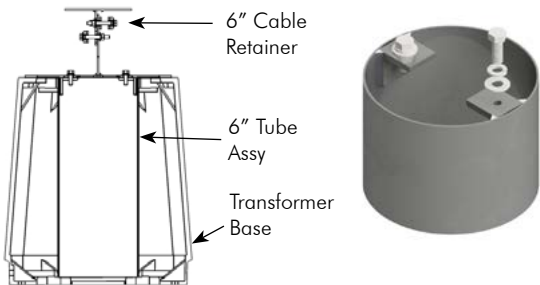
SP-6200-GLV **Cable Retainer Assy,
For 6" Foundation Anchor,
Galvanized Steel**

Note:
Works with Pelco's PB-5372 6" Foundation Anchor or with existing foundations with a 9-1/2" to 13-1/2" bolt circle. Secures 3/16" to 1/2" diameter cables.



SP-6205-GLV **Cable Retainer Assy,
For 8" Foundation Anchor,
Galvanized Steel**

Note:
Works with Pelco's PB-5375 8" Foundation Anchor or with existing foundations with a 11-1/2" to 17" bolt circle. Secures 3/16" to 1/2" diameter cables.



**Tube Assy for 6" Cable Retainer,
Galvanized Steel**

Length
SP-6358 - - GLV
04.5=4-1/2"
16.38=16-3/8"

Note: 1. All assemblies are supplied standard with stainless fasteners.



Copper Safe® Base Doors

Pelco's anti-theft Transformer Base Doors are shatter-resistant and pull-off resistant to protect against copper theft. The doors require a special Pelco Installation Kit which includes everything required for installing multiple doors and covers.



Door Assy, Copper Safe® Theft Deterrent, Steel Fits Akron TB1-17, TB1-17 Mod, TB2-17, & TB3-17 Transformer Bases

PB-5520 - Coating
P_ = Paint



Door Assy, Copper Safe® Theft Deterrent, Steel Fits Akron TB1-20, TB1-20 Mod, TB2-20, & TB3-20 Transformer Bases

PB-5526 - Coating
P_ = Paint



Door Assy, Copper Safe® Theft Deterrent, Steel Fits Akron TB-17H Transformer Base

PB-5536 - Coating
P_ = Paint

- Note: 1. All assemblies are supplied standard with stainless fasteners.
2. Doors require AP-5121 Kit for installation.
3. Typically powder coated P40 Silver, see Reference Section for other available paint colors.



Copper Safe® Base Doors

Pelco's anti-theft Transformer Base Doors are shatter-resistant and pull-off resistant to protect against copper theft. The doors require a special Pelco Installation Kit which includes everything required for installing multiple doors and covers.



TRAFFIC ACCESSORIES



Door Assy, Copper Safe® Theft Deterrent, Steel Fits Union Metal Med Transformer Base

PB-5529 - Coating
P__ = Paint



Door Assy, Copper Safe® Theft Deterrent, Steel Fits AB Chance Transformer Base

PB-5531 - Coating
P__ = Paint

- Note: 1. All assemblies are supplied standard with stainless fasteners.
2. Covers require AP-5121 Kit for installation.
3. Typically powder coated P40 Silver, see Reference Section for other available paint colors.



Copper Safe® Hand Hole Covers

Pelco's anti-theft Hand Hole Covers are shatter-resistant and pull-off resistant to protect against copper theft. Copper Safe® covers are available for various sized hand holes. A special Pelco Installation Kit is required which includes everything needed for installing multiple covers and doors.



Hand Hole Cover Assy, Copper Safe® Theft Deterrent, Fits 4.38" x 9.63" to 5.13" x 10.38" Oval Opening Steel

AP-3172 - Coating
P_ = Paint



Hand Hole Cover Assy, Copper Safe® Theft Deterrent, Fits 3.25" x 9.75" to 4.25" x 10.75" Oval Opening Steel

AP-3173 - Coating
P_ = Paint



Hand Hole Cover Assy, Copper Safe® Theft Deterrent, Steel

AP-3161 - Coating fits 2.13" x 5.13" to 3.38" x 6.38"
P_ = Paint Oval Opening

AP-3160 - Coating fits 2" x 5" to 2.25" 5.25"
P_ = Paint Oval Opening



Hand Hole Cover Assy, Copper Safe® Theft Deterrent, Fits 4.63" x 7.88" to 5.75" x 9" Oval Opening Steel

AP-3167 - Coating
P_ = Paint

- Note: 1. All assemblies are supplied standard with stainless fasteners.
 2. Covers require AP-5121 Kit for installation.
 3. Typically powder coated P40 Silver, see Reference Section for other available paint colors.



Copper Safe® Hand Hole Covers

Pelco's anti-theft Hand Hole Covers are shatter-resistant and pull-off resistant to protect against copper theft. Copper Safe® covers are available for various sized hand holes. A special Pelco Installation Kit is required which includes everything needed for installing multiple covers and doors.



Hand Hole Cover Assy, Copper Safe® Theft Deterrent, Fits 5" x 8" Oval Hand Hole Ring Steel

AP-3158 - Coating
P__ = Paint



Hand Hole Cover Assy, Copper Safe® Theft Deterrent, 3.38" x 4.38" to 5" x 6" Oval Opening on 8" OD Pole Steel

AP-3162 - Coating
P__ = Paint



Installation Kit, Copper Safe® Theft Deterrent, for Hand Hole Covers & Doors

AP-5121-PNC

Note:
Required for installing Pelco's theft-deterrent hand hole covers and doors. Includes 3/16" & 3/8" drill bits, security extensions, and security extension wrench, in a PVC storage case. Installation Kit is reusable.

- Note:
1. All assemblies are supplied standard with stainless fasteners.
 2. Covers require AP-5121 Kit for installation.
 3. Typically powder coated P40 Silver, see Reference Section for other available paint colors.

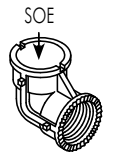


Aluminum Pipe Fittings



El, Serrated, 1-1/2" NPS, Alum

SE-0457 - Ports - Coating
 SOE=Slip 1 End PNC=Process No Color
 P__=Paint



El, Serrated, 1-1/2" NPS w/ Tri-Stud Adapter, Alum

SE-0514 - Coating
 PNC=Process No Color
 P__=Paint



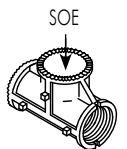
El, Serrated, 1-1/2" NPS w/ Tri-Bolt Adapter, Alum

SE-0501 - Coating
 PNC=Process No Color
 P__=Paint



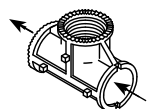
Tee, Serrated, 1-1/2" NPS, Alum

SE-0458 - Ports - Coating
 SOE=Slip 1 End PNC=Process No Color
 P__=Paint



Tee, Serrated, 1-1/2" NPS, Horizontal Slip, Alum

SE-0474 - Coating
 PNC=Process No Color
 P__=Paint



- Note: 1. All assemblies are supplied standard with stainless steel fasteners.
 2. If double set screws are required, specify by including -DS in the part number, i.e., SE-0457-DS-PNC.
 3. See Reference Section for available paint colors.





Tee, Serrated, 1-1/2" NPS w/ Tri-Stud Adapter, Alum

SE-0513 - Coating
 PNC=Process No Color
 P__=Paint



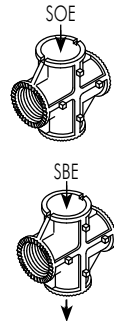
Tee, Serrated, 1-1/2" NPS w/ Tri-Bolt Adapter, Alum

SE-0500 - Coating
 PNC=Process No Color
 P__=Paint



Cross, Serrated, 1-1/2" NPS, Alum

SE-4038 - Ports - Coating
 SOE=Slip 1 End PNC=Process No Color
 SBE=Slip Both Ends P__=Paint



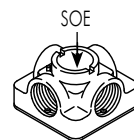
Center Support, 3-Way, 1-1/2" NPS, Alum

SE-0310 - Coating
 PNC=Process No Color
 P__=Paint



Center Support, 4-Way, 1-1/2" NPS, Alum

SE-0305 - Ports - Coating
 SOE=Slip 1 End PNC=Process No Color
 P__=Paint



Note: 1. All assemblies are supplied standard with stainless steel fasteners.
 2. If double set screws are required specify by including -DS in the part number, i.e., SE-0513-DS-PNC.
 3. See Reference Section for available paint colors.

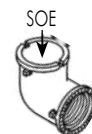


Iron Pipe Fittings



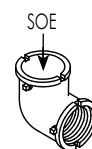
ELL, Serrated, 1-1/2" NPS, Iron

SE-4415 - Ports - Coating
 SOE=Slip 1 End GLV=Galvanized
 P__=Paint



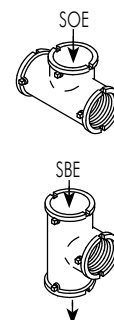
ELL, 1-1/2" NPS, Iron

SE-4091 - Ports - Coating
 SOE=Slip 1 End GLV=Galvanized
 P__=Paint



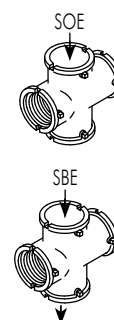
Tee, 1-1/2" NPS, Iron

SE-4092 - Ports - Coating
 SOE=Slip 1 End GLV=Galvanized
 SBE=Slip Both Ends P__=Paint



Cross, 1-1/2" NPS, Iron

SE-4093 - Ports - Coating
 SOE=Slip 1 End GLV=Galvanized
 SBE=Slip Both Ends P__=Paint



- Note: 1. All assemblies are supplied standard with stainless steel fasteners.
 2. If double set screws are required, specify by including -DS in the part number, i.e., SE-4415-DS-PNC.
 3. Iron fittings, with the exception of SE-4415 ELL, are not serrated. For serrations add brass or alum serrated locking.
 4. See Reference Section for available paint colors.

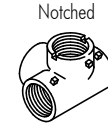


Iron Pipe Fittings



Side Outlet Tee, 1-1/2" NPS, Iron

SE-0437 - Ports - Coating
SOE=Slip 1 End GLV=Galvanized
N=Notched P__=Paint



Center Support, 2-Way, 1-1/2" NPS, Iron

SE-0495 - Coating
P__=Paint



Center Support, 3-Way, 1-1/2" NPS, Iron

SE-0482 - Coating
P__=Paint

Note: Double set screws are standard.



Center Support, 4-Way, 1-1/2" NPS, Iron

SE-0496 - Coating
P__=Paint

- Note: 1. All assemblies are supplied standard with stainless steel fasteners.
2. If double set screws are required, specify by including -DS in the part number, i.e., SE-0496-DS-PNC.
3. Iron fittings, with the exception of SE-4415 Ell, are not serrated. For serrations add alum or brass serrated locking.
4. See Reference Section for available paint colors.



Span Wire

Span Wire Clamp w/ U-Bolts, 3/4" Wide Slot, Alum



SE-0321 - - - PNC
 Bushing Stainless Upgrade
 Blank=None Blank=Galv
 SS=Stainless Bushing SS=Stainless

Span Wire Clamp w/ U-Bolts, 5/8" Wide Slot, Alum

SE-4077 - - - PNC
 Bushing Stainless Upgrade
 Blank=None Blank=Galv
 SS=Stainless Bushing SS=Stainless

Span Wire Clamp w/ U-Bolts, 1/2" Wide Slot, Alum

SE-3211 - - - PNC
 Bushing Stainless Upgrade
 Blank=None Blank=Galv
 SS=Stainless Bushing SS=Stainless

Span Wire Clamp w/ J-Bolts, 3/4" Wide Slot, Alum



SE-4027 - - - PNC
 Bushing Stainless Upgrade
 Blank=None Blank=Galv
 SS=Stainless Bushing SS=Stainless

Span Wire Clamp w/ J-Bolts, 1/2" Wide Slot, Alum

SE-4397 - - - PNC
 Bushing Stainless Upgrade
 Blank=None Blank=Galv
 SS=Stainless Bushing SS=Stainless

Span Wire Clamp w/ U-Bolts, 1/2" Wide Slot, Alum



SE-0338 - - GLV
 Stainless Upgrade
 Blank=Galv
 SS=Stainless

Span Wire Clamp w/ J-Bolts, 1/2" Wide Slot, Alum



SE-0441 - - GLV
 Stainless Upgrade
 Blank=Galv
 SS=Stainless

Note: 1. All assemblies are supplied standard with galvanized hardware on span wire clamps. Stainless upgrade shall include stainless steel hardware on span wire clamps.





Span Wire Clamp, Universal w/ J-Bolts 1/2" Wide Slot, Alum

SE-3217 - - - PNC

Bushing Stainless Upgrade
Blank=None Blank=Galv
SS=Stainless Bushing SS=Stainless



Span Wire Clamp, 90° w/ J-Bolts 1/2" Wide Slot, Alum

SE-3212 - - - PNC

Bushing Stainless Upgrade
Blank=None Blank=Galv
SS=Stainless Bushing SS=Stainless



Span Wire Clamp w/ J-Bolts Serrated, Alum

SE-3213 - - PNC

Stainless Upgrade
Blank=Galv
SS=Stainless



Span Wire Clamp w/ Stainless J-Bolts 3/4" Wide Slots, Bronze

SE-3213 - PNC

Note:
Supplied standard with stainless hardware.

Note: 1. All assemblies, with the exception of SE-3213 Bronze Clamp, are supplied standard with galvanized hardware on span wire clamps. Stainless upgrade shall include stainless steel hardware on span wire clamps.



Span Wire



Wire Outlet Body, Iron w/ Grommet 1-1/2" NPS, 1/2" Wide Comb

SE-4118 - -
Coating
P__=Paint



Wire Outlet Body, Alum w/ Grommet 1-1/2" NPS, 3/4" Wide Comb

SE-4117 - - PNC
Blank=None
SS=Stainless Bushing



Wire Outlet Body w/ Grommet 1-1/2" NPS, 3/4" Wide Comb, Bronze

SE-4421 - -
Coating
PNC=Process No Color
P__=Paint



Wire Outlet Body w/ Grommet Tri-Stud, 3/4" Wide Comb, Alum

SE-0545 - - -
Blank=None
SS=Stainless Bushing
Coating
PNC=Process No Color
P__=Paint



Wire Outlet Body w/ Grommet Tri-Stud, Single Clevis, Alum

SE-0524 - - -
Blank=None
SS=Stainless Bushing
Coating
PNC=Process No Color
P__=Paint



Wire Outlet Body w/ Grommet Tri-Stud Adjustable, Alum

SE-0523 - -
Coating
PNC=Process No Color
P__=Paint

- Note: 1. All assemblies are supplied standard with stainless steel fasteners.
2. If double set screws are required, specify by including -DS in the part number, i.e., SE-4118-DS-PNC.
3. See Reference Section for available paint colors.



Wire Outlet Body, Double Single Clevis Tri-Stud, 3/4" Wide, Alum

SE-0531 - -
 Bushing Coating
 Blank=None PNC=Process No Color
 SS=Stainless Bushing P__=Paint



Wire Outlet Body, Double Single Clevis 1-1/2" NPS, 3/4" Wide, Alum

SE-4058 - -
 Bushing Coating
 Blank=None PNC=Process No Color
 SS=Stainless Bushing P__=Paint



Wire Outlet Body, Double Adjustable Tri-Stud, Alum

SE-0532 -
 Coating
 PNC=Process No Color
 P__=Paint



Wire Outlet Body, Double Multi Clevis Tri-Stud, 3/4" Wide Comb, Alum

SE-0558 - -
 Bushing Coating
 Blank=None PNC=Process No Color
 SS=Stainless Bushing P__=Paint



Wire Outlet Body, Double Universal 1-1/2" NPS, 1/2" Wide Comb, Iron

SE-4155 - -
 Bushing Coating
 Blank=None P__=Paint
 SS=Stainless Bushing

Note: 1. All assemblies are supplied standard with stainless steel fasteners.
 2. If double set screws are required, specify by including -DS in the part number, i.e., SE-4058-DS-PNC.
 3. See Reference Section for available paint colors.



Span Wire



Hanger Body, 1-1/2" NPS, Alum

SE-0530 -
Coating
PNC=Process No Color
P__=Paint



Hanger Body, Single-Stud, Alum

SE-0438 -
Coating
PNC=Process No Color
P__=Paint



Hanger Body, Double Stud, Alum

SE-0516 -
Coating
PNC=Process No Color
P__=Paint



Hanger Body, Tri-Stud, Alum

SE-0512 -
Coating
PNC=Process No Color
P__=Paint

- Note: 1. All assemblies are supplied standard with stainless steel fasteners.
2. If double set screws are required, specify by including -DS in the part number, i.e., SE-0530-DS-PNC.
3. See Reference Section for available paint colors.





Clevis Adapter, 1-1/2" NPS 3/4" Clevis, Alum

SE-4030 - -
 Bushing Coating
 Blank=None PNC=Process No Color
 SS=Stainless Bushing P__=Paint



Clevis Adapter, 5/16"-18 Tri-Stud 3/4" Wide Clevis , Alum

SE-4031 - -
 Bushing Coating
 Blank=None PNC=Process No Color
 SS=Stainless Bushing P__=Paint



Clevis Adapter, 1/2"-13 Single Stud 3/4" Wide Clevis, Alum

SE-0540 - -
 Bushing Coating
 Blank=None PNC=Process No Color
 SS=Stainless Bushing P__=Paint



Clevis Adapter, 1/2"-13 Single Stud 3/4" Wide Slot, Alum

SE-0630 - -
 Bushing Coating
 Blank=None PNC=Process No Color
 SS=Stainless Bushing P__=Paint

Note: 1. All assemblies are supplied standard with stainless steel fasteners.
 2. If double set screws are required, specify by including -DS in the part number, i.e., SE-4030-DS-PNC.
 3. See Reference Section for available paint colors.



Span Wire



Span Wire Adapter, 1-1/2" NPS 5/8" Clevis w/ Stainless Bushing, Alum

SE-0371 -
Coating
PNC=Process No Color
P__=Paint



Tri-Stud Adapter, 1-1/2" NPS External Threads Alum

SE-0503 - PNC



Tri-Bolt Adapter, 1-1/2" NPS External Threads Alum

SE-0502 - PNC



Tri-Stud Adapter, 1-1/2" NPS Internal Threads Alum

SE-0533 -
Coating
PNC=Process No Color
P__=Paint



Tri-Bolt Adapter, 1-1/2" NPS Internal Threads, Alum

SE-4242 -
Coating
PNC=Process No Color
P__=Paint

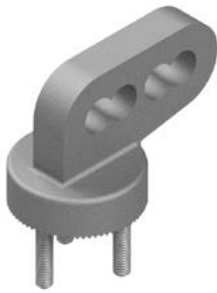
- Note: 1. All assemblies are supplied standard with stainless steel fasteners.
2. If double set screws are required, specify by including -DS in the part number, i.e., SE-0533-DS-PNC.
3. See Reference Section for available paint colors.





**Disconnect Balancer, 1-1/2" NPS
1/2" Wide Comb, Iron, Zinc 2**

SE-0380-ZN2



**Disconnect Balancer, Tri-Stud
3/4" Wide Comb, Alum**

SE-0505 - -
Blank=None PNC=Process No Color
SS=Stainless Bushing P__=Paint

Note: 1. All assemblies are supplied standard with stainless steel fasteners.
2. See Reference Section for available paint colors.





PAL Balance Adjuster, Pivot and Lock Stainless Eyebolt, Steel

| | | | | | | | | |
|---------|---|------------------------|---|------------------------|---|----------------------------|---|-----------------------------|
| SE-3219 | - | Slot | - | Eyebolt | - | Stainless Upgrade | - | Coating |
| | | 0.50=1/2" 0.75=3/4" | | 0.50=1/2" 0.75=3/4" | | Blank=Galv SS=Stainless | | GLV=Galvanized P__=Paint |



Balance Adjuster, Iron

| | | | | | | | | |
|---------|---|------------------------|---|------------------------|---|----------------------------|---|-----------------------------|
| SE-3108 | - | Slot | - | Eyebolt | - | Stainless Upgrade | - | Coating |
| | | 0.50=1/2" 0.75=3/4" | | 0.50=1/2" 0.75=3/4" | | Blank=Galv SS=Stainless | | GLV=Galvanized P__=Paint |



Balance Adjuster, Bronze

| | | | | | | |
|---------|---|------------------------|---|------------------------|---|-----------------------------------|
| SE-3200 | - | Slot | - | Eyebolt | - | Coating |
| | | 0.50=1/2" 0.75=3/4" | | 0.50=1/2" 0.75=3/4" | | PNC=Process No Color P__=Paint |



Balance Adjuster w/ Jam Nut & Lock Washer, Iron

| | | | | | | | | |
|---------|---|------------------------|---|------------------------|---|----------------------------|---|-----------------------------|
| SE-3191 | - | Slot | - | Eyebolt | - | Stainless Upgrade | - | Coating |
| | | 0.50=1/2" 0.75=3/4" | | 0.50=1/2" 0.75=3/4" | | Blank=Galv SS=Stainless | | GLV=Galvanized P__=Paint |

Note: 1. All assemblies are supplied standard with stainless steel fasteners and galvanized clevis pins.
Stainless upgrade shall include stainless steel clevis pins.
2. See Reference Section for available paint colors.



Clevis Hanger w/ Pins 3/4" Hanger x 3/4" Clevis, Alum



SE-0467 - - -
 Bushing Stainless Upgrade Coating
 Blank=None Blank=Galv PNC=Process No Color
 SS=Stainless Bushing SS=Stainless P__=Paint

Clevis Hanger w/ Pins 3/4" Hanger x 1/2" Clevis, Alum

SE-0467 - - -
 Bushing Stainless Upgrade Coating
 Blank=None Blank=Galv PNC=Process No Color
 SS=Stainless Bushing SS=Stainless P__=Paint

Clevis-Clevis Hanger w/ Pins 3/4" x 1/2", Alum

SE-0611 - - -
 Bushing Stainless Upgrade Coating
 Blank=None Blank=Galv PNC=Process No Color
 SS=Stainless Bushing SS=Stainless P__=Paint



Clevis-Clevis Hanger w/ Pins 3/4" x 3/4", Alum

SE-0468 - - -
 Bushing Stainless Upgrade Coating
 Blank=None Blank=Galv PNC=Process No Color
 SS=Stainless Bushing SS=Stainless P__=Paint

Clevis-Clevis Hanger w/ Pin 1/2" x 1/2", Alum

SE-0464 - - -
 Bushing Stainless Upgrade Coating
 Blank=None Blank=Galv PNC=Process No Color
 SS=Stainless Bushing SS=Stainless P__=Paint

Note: 1. All assemblies are supplied standard with stainless steel fasteners and galvanized clevis pins.
 Stainless upgrade shall include stainless steel clevis pins.
 2. See Reference Section for available paint colors.





Extender Connector Hanger, 10-Hole Alum

SE-0539 - -
 Bushing Coating
 Blank=None PNC=Process No Color
 SS=Stainless Bushing P__=Paint



Extender Connector Hanger, 10-Hole, Serrated, Alum

SE-0543 - -
 Bushing Coating
 Blank=None PNC=Process No Color
 SS=Stainless Bushing P__=Paint



Extender Connector Hanger, 2-Hole 1/2" Width, Alum

SE-0508 - -
 Bushing Coating
 Blank=None PNC=Process No Color
 SS=Stainless Bushing P__=Paint

Extender Connector Hanger, 2-Hole 3/4" Width, Alum

SE-0613 - -
 Bushing Coating
 Blank=None PNC=Process No Color
 SS=Stainless Bushing P__=Paint



Extender Connector Hanger, 2-Hole Heavy Duty 3/4" Width, Alum

SE-0656 - -
 Bushing Coating
 Blank=None PNC=Process No Color
 SS=Stainless Bushing P__=Paint

Note: See Reference Section for available paint colors.



Extender, 3/8" Dia Holes 1" CTC, Alum

SE-0507 - -

Length Coating

11=11" PNC=Process No Color

19=19" P__=Paint

40=40"

72=72"



Tri-Stud Hanger Body, Adjustable 10-Hole, Alum

SE-0538 -

Coating

PNC=Process No Color

P__=Paint

Note: 1. All assemblies are supplied standard with stainless steel fasteners.
2. See Reference Section for available paint colors.



Span Wire



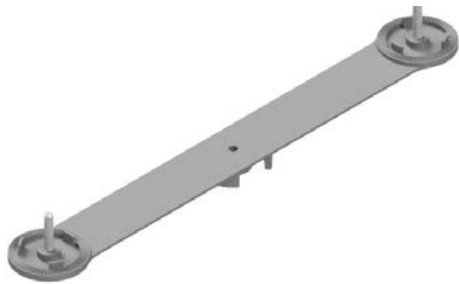
Stabilizer Bar, 2-Hole 2" x 6", Alum

SE-0536 -
Coating
PNC=Process No Color
P__=Paint



Stabilizer Block, 2-Hole 2" x 6", Alum

SE-0544 -
Coating
PNC=Process No Color
P__=Paint



Lower Arm, 2-Way 16-1/2" CTC Single Stud Serrated, Alum

SE-4010 -
Coating
PNC=Process No Color
P__=Paint

Lower Arm, 2-Way 17" CTC Single Stud Serrated, Alum

SE-0521 -
Coating
PNC=Process No Color
P__=Paint

Note: See Reference Section for available paint colors.



This page is intentionally left blank.

COMPONENTS



Hubs & Mounting Brackets



Hub Plate w/ Cable Guide, 1-1/2" NPS, Alum

SE-0444 -
Coating
PNC=Process No Color
P__=Paint



Hub Plate w/o Cable Guide, 1-1/2" NPS, Alum

SE-0445 -
Coating
PNC=Process No Color
P__=Paint

Hub Plate w/o Cable Guide, 1-1/2" NPS, Iron

SE-4124 -
Coating
P__=Paint



Hub Plate w/o Cable Guide, 1-1/2" NPS, Bronze

SE-4426 -
Coating
PNC=Process No Color
P__=Paint

Hub Plate, Universal, 1-1/2" NPS w/ 15/16" Dia Hole in Rear, Alum

SE-4071 -
Coating
PNC=Process No Color
P__=Paint

Hub Plate, Universal, 1-1/2" NPS w/ 1-1/2" Dia Hole in Rear, Alum

SE-4108 -
Coating
PNC=Process No Color
P__=Paint

- Note: 1. All assemblies are supplied standard with stainless steel fasteners.
2. Double set screw option available. Specify by including -DS in the part number, i.e., SE-0444-DS-PNC.
3. See Reference Section for available paint colors.



Hubs & Mounting Brackets



Hub Plate, Flat Back, 1-1/2" NPS, Alum

SE-0415 -
Coating
PNC=Process No Color
P__=Paint



Hub Plate, 4" Pipe, 1-1/2" NPS, Alum

SE-0454 -
Coating
PNC=Process No Color
P__=Paint



Hub Plate, Large Pole, 1-1/2" NPS, Alum

SE-0357 -
Coating
PNC=Process No Color
P__=Paint

- Note: 1. All assemblies are supplied standard with stainless steel fasteners.
2. Double set screw option available. Specify by including -DS in the part number, i.e., SE-0415-DS-PNC.
3. See Reference Section for available paint colors.



Hubs & Mounting Brackets



Hub Plate, Extended 1-1/2" NPS, Alum

SE-0381 - -
0.75=3/4" Mounting Hole PNC=Process No Color
P__=Paint



Hub Plate, Extended 1-1/2" NPS w/ Downhole, Alum

SE-0382 - -
0.75=3/4" Mounting Hole PNC=Process No Color
P__=Paint



Hub Plate, Extended Flat Back 1-1/2" NPS, Alum

SE-0465 - -
0.75=3/4" Mounting Hole PNC=Process No Color
P__=Paint



Hub Plate, Extended Flat Back 1-1/2" NPS w/ Downhole, Alum

SE-0466 - -
0.75=3/4" Mounting Hole PNC=Process No Color
P__=Paint

Note: 1. All assemblies are supplied standard with stainless steel fasteners.
2. Double set screw option available. Specify by including -DS in the part number, i.e., SE-0381-DS-PNC.
3. See Reference Section for available paint colors.



Hubs & Mounting Brackets



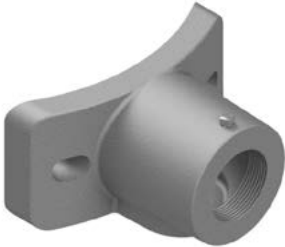
Hub Plate, Narrow, 1-1/2" NPS, Alum

SE-4050 - Coating
PNC=Process No Color
P_=_Paint



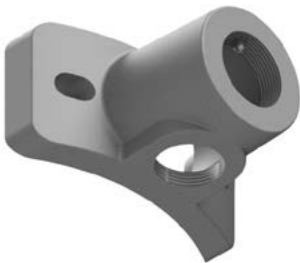
Hub Plate, Single, 1-1/2" NPS, Alum

SE-0111 - - Coating
Blank= 3/8" Dia PNC=Process No Color
0.563=9/16" Dia P_=_Paint



Hub Plate, Wood Pole 1-1/2" NPS, Alum

SE-4079 - Coating
PNC=Process No Color
P_=_Paint



Hub Plate, Wood Pole 1-1/2" NPS w/ Downhole, Alum

SE-4080 - Coating
PNC=Process No Color
P_=_Paint

- Note: 1. All assemblies are supplied standard with stainless steel fasteners.
2. Double set screw option available. Specify by including -DS in the part number, i.e., SE-4050-DS-PNC.
3. See Reference Section for available paint colors.



Hubs & Mounting Brackets



Cabinet Mounting Bracket, Alum

SE-0425 -
Coating
PNC=Process No Color
P__=Paint



Sign Clamp, 4-1/2" OD Pole, Alum

SH-0214 -
Coating
PNC=Process No Color
P__=Paint



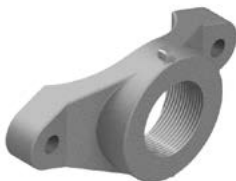
Adapter, 2-7/8" to 3-1/2" OD Pole, Alum

SE-4078 -
Coating
PNC=Process No Color
P__=Paint



Mounting Bracket, 4-1/2" OD Pole, Alum

SE-0104 -
Coating
PNC=Process No Color
P__=Paint



Mounting Hub, 1-1/2" NPS, 4-1/2" OD Pole, Alum

SE-0384 -
Coating
PNC=Process No Color
P__=Paint

- Note: 1. All assemblies are supplied standard with stainless steel fasteners.
2. Double set screw option available. Specify by including -DS in the part number, i.e., SE-0384-DS-PNC.
3. See Reference Section for available paint colors.



Hubs & Mounting Brackets



Cabinet Mounting Bracket, 1/8" Thick 4-1/2" x 3-3/8" x 4-1/2", Alum

SE-0141 - Coating
PNC=Process No Color
P__=Paint



Cabinet Mounting Bracket, 1/8" Thick 4-1/2" x 3-3/8" x 2-7/8", Alum

SE-0113 - Coating
PNC=Process No Color
P__=Paint



Cabinet Mounting Bracket, 1/4" Thick 6-3/4" x 3-1/2" x 2-1/16", Alum

SE-0118 - Coating
PNC=Process No Color
P__=Paint



Cabinet Mounting Bracket, 1/4" Thick 6-3/4" x 4-1/2" x 2-1/16", Alum

SE-0120 - Coating
PNC=Process No Color
P__=Paint



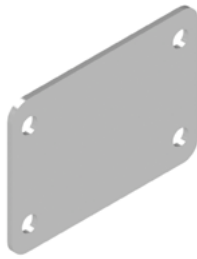
Cabinet Mounting Bracket, 1/4" Thick 6-3/4" x 6" x 2-1/16", Alum

SE-0126 - Coating
PNC=Process No Color
P__=Paint

Note: See Reference Section for available paint colors.



Hubs & Mounting Brackets



**Closure Plate, Alum
Flasher Cabinet**

SE-0117 -

Coating



PNC=Process No Color

P__=Paint



SE-0119-PNC **Hub Gasket, 1/8" Closed Cell Sponge
Adhesive Backed
Flasher Cabinet**



SE-0148-PNC **Hub Gasket, 1/8" Neoprene
Flasher Cabinet**

This page is intentionally left blank.

COMPONENTS





Support Tube, 1-1/2" NPS, Alum

SE-0326 - Length in Inches - Coating
 PNC=Process No Color
 P__=Paint

Support Tube, 2" NPS, Alum

SE-4370 - Length in Inches - Coating
 PNC=Process No Color
 P__=Paint

Support Tube, 1-1/2" NPS, Steel

SE-0491 - Length in Inches - Coating
 PNC=Process No Color
 P__=Paint



Pipe, 1-1/2", Sch 40, Alum

SE-0484 - Length in Inches - Coating
 PNC=Process No Color
 P__=Paint

Pipe, 1-1/2", Sch 80, Alum

SE-0475 - Length in Inches - Coating
 PNC=Process No Color
 P__=Paint

Pipe, 2", Sch 40, Alum

SE-0494 - Length in Inches - Coating
 PNC=Process No Color
 P__=Paint

Pipe, 2", Sch 80, Alum

SE-4362 - Length in Inches - Coating
 PNC=Process No Color
 P__=Paint

Note: 1. Standard tubes and pipes are sold in 1 inch increments. For other lengths contacts sales.
 2. See Reference Section for available paint colors.



Nipple, 1-1/2" NPS, Alum

Length
in Inches Coating

SE-0436 - -

PNC=Process No Color
P__=Paint

Nipple, 1-1/2" NPS x 1-1/2" NPT, Alum

Length
in Inches Coating

SE-4204 - -

PNC=Process No Color
P__=Paint

Nipple, 1-1/2" NPS, Steel

Length
in Inches Coating

SE-0469 - -

P__=Paint

Nipple, 1-1/2" NPT, Steel

Length
in Inches Coating

SE-4200 - -

P__=Paint

All Thread Nipple, 1-1/2" NPS, Alum

Length

SE-0309 - - PNC

02.13=2-1/8"
02.5=2-1/2"
03=3"
04=4"
04.5=4-1/2"
05=5"
06=6"



All Thread Nipple, 1-1/2" NPS, Steel

Length

SE-0492 - - ZN1

02.13=2-1/8"
02.5=2-1/2"
03=3"
04=4"
04.5=4-1/2"
05=5"
06=6"

Close Nipple, 1-1/2" NPS x 1-1/2" NPT, Steel

Length

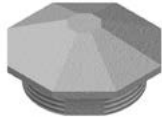
SE-4063 - - ZN1

02.5=2-1/2"
03=3"
03.5=3-1/2"

Note: 1. Standard tubes and pipes are sold in 1 inch increments. For other lengths contacts sales.
2. See Reference Section for available paint colors.



Caps & Closures

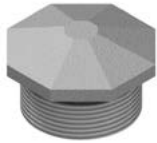


Octagonal Closure Cap, Alum 1-1/2" NPS x 1/2"

SE-4088 -

Coating

PNC=Process No Color
P__=Paint

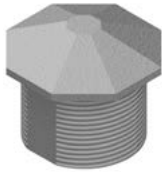


Octagonal Closure Cap, Alum 1-1/2" NPS x 7/8"

SE-0361 -

Coating

PNC=Process No Color
P__=Paint



Octagonal Closure Cap, Alum 1-1/2" NPS x 1-3/8"

SE-0483 -

Coating

PNC=Process No Color
P__=Paint

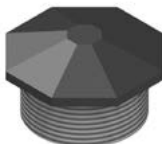


Octagonal Closure Cap, Alum 1-1/2" NPS x 2"

SE-0442 -

Coating

PNC=Process No Color
P__=Paint



Octagonal Closure Cap, Plastic 1-1/2" NPS x 7/8"

SE-0499 -

Coating

P01=Yellow
P02=Black
P05=New York State Green (forest)
P06=Automatic Green (dark olive)
P17=Platinum

Note: See Reference Section for available paint colors.





Fitting Cap, 1-1/2", Plastic

SE-0304 - Coating
P01=Yellow
P02=Black



Fitting Cap, 1-1/4", Plastic

SE-0419 - Coating
P01=Yellow
P02=Black



AS-0398-P02 Tube Cap, Black Plastic



AB-0271-PNC Cap, CGB Closure, 3/4", Blue Plastic



SE-0479-PNC Plug, 1-1/4" Sq Hd, Threaded, Plastic,



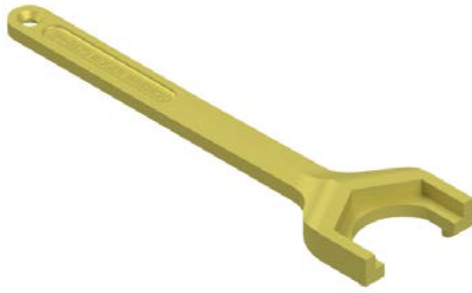
Signal Closure Kit, Plastic

SE-3054 - Coating
P01=Yellow
P02=Black
P05=New York State Green (forest)
P06=Automatic Green (dark olive)

Note: 1. All assemblies are supplied standard with stainless steel fasteners.



Hardware



SM-0173-ZN2 **Roger Wrench w/ 10" Handle, Steel, Zinc 2**



SE-0443-PNC **Hex Nipple, 1-1/2" NPS x 1-1/2" Lg, Alum**



SE-0435-ZN2 **Hex Nipple, 1-1/2" NPS x 1-1/2" Lg, Steel, Zinc 2**

SE-0644-ZN2 **Hex Nipple, 1-1/2" NPS x 1-3/4" Lg, Steel, Zinc 2**



SE-4017-ZN1 **Hex Nut, 1-1/2" NPS, Iron**



Check Nut, 1-1/2" NPS, Alum

SE-0448 - - PNC

Set Screws

1S=Single Set Screw
DS=Double Set Screw



Check Nut, 1-1/2" NPS, Steel, White Zinc

SE-0670 - - ZN1

Set Screws

1S=Single Set Screw
DS=Double Set Screw

Note: 1. All assemblies are supplied standard with stainless steel fasteners.
2. See Reference Section for available paint colors.



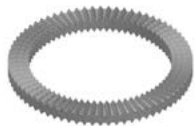
Hardware



SE-0360-PNC **Lockring, Serrated, Alum**



SE-4029-BRS **Lockring, Serrated, Brass**



SE-0451-PNC **Lockring, Double Serrated, Alum**



SE-4125-PNC **Conduit Locknut, 1-1/2" NPS,
w/ Serrations, Zinc 1**



SE-4048-ZN1 **Conduit Locknut, 3/4" NPT, Zinc 1**

COMPONENTS

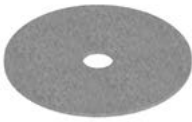
 PELCO PRODUCTS, INC.



Hardware



SE-0375-SS **Slotted Washer, Stainless**



SE-4113-SS **Washer, Stainless**
0.39" ID x 2.44" OD x .06" THK



SE-4061-SS **Washer, Stainless**
1.97" ID x 2.61" OD x .06" THK



SE-4061-ZN1 **Washer, Steel, Zinc 1**
1.92" ID x 2.61" OD x .06" THK



SE-0367-PNC **Washer, Nylon**
1.93" ID x 2.69" OD x .12" THK



SE-0354-PNC **Gasket, Neoprene**



AB-0278-PNC **Gasket, Slotted Tri-Bolt, Neoprene**



SE-0449-PNC **Grommet, 1-1/2" w/ Diaphragm Neoprene**



AB-0218-PNC **Adapter Ring, 3M, Alum**



SE-0477-PNC **ICC Ped Head Spacer, Alum**



SE-0577-GLV **Reducer Bushing, 1-1/2" NPT x 1/2" NPT, Galvanized Iron**

SE-0471-GLV **Reducer Bushing, 1-1/2" NPT x 3/4" NPT, Galvanized Iron**

SE-0565-GLV **Reducer Bushing, 1-1/2" NPT x 1" NPT, Galvanized Iron**



SE-4011-PNC **Insulator Bushing, 1-1/2" NPS, Black Plastic**



SE-4028-ZN1 **CGB, 3/4", .55" to .65" Wire, Zinc 1**

SE-0490-ZN1 **CGB, 3/4", .55" to .75" Wire, Zinc 1**

SE-4216-ZN1 **CGB, 1", .55" to .65" Wire, Zinc 1**

Hardware



Notched Coupling, 1-1/2" NPS x 2", Alum

SE-0346 -
Coating
PNC=Process No Color
P__=Paint



Notched Coupling, 1-1/2" NPS x 2", Steel

SE-4170 -
Coating
GLV=Galvanized
P__=Paint



Notched Coupling, Steel 1-1/2" NPS x 2" w/ Lock Ring

SE-3254 - -
Lock Ring Coating
Blank=Alum GLV=Galvanized
BRS=Brass P__=Paint

- Note: 1. All assemblies are supplied standard with stainless steel fasteners.
2. Double set screw option available. Specify by including -DS in the part number, i.e., SE-0346-DS-PNC.
3. See Reference Section for available paint colors.





Slip Connector, 1-1/2" NPS, Alum

SE-0535 -

Coating
PNC=Process No Color
P__=Paint



Tube Saddle, 1-1/2" NPS, Alum

AB-0262 -

Coating
PNC=Process No Color
P__=Paint



Tube Saddle Kit, 1-1/2" NPS w/ 5/16" V-Bolts & Hardware, Alum

AB-3048 -

Coating
PNC=Process No Color
P__=Paint

Note: 1. All assemblies are supplied standard with stainless steel fasteners.
2. See Reference Section for available paint colors.



Banding Products

BANDING

| Catalog Number | Width | | Thickness | | Weight | |
|----------------|--------|----|-----------|----|--------|----|
| | Inches | mm | Inches | mm | Lbs | Kg |

TYPE 201 STAINLESS STEEL - 100 Ft. Per Roll

| | | | | | | |
|------------|-----|-------|-------|------|-----|-----|
| US-8122-04 | 1/2 | 12.70 | 0.030 | 0.76 | 5.1 | 2.4 |
| US-8122-05 | 5/8 | 15.88 | 0.030 | 0.76 | 6.4 | 3.0 |
| US-8122-06 | 3/4 | 19.05 | 0.030 | 0.76 | 7.7 | 3.6 |

TYPE 316 STAINLESS STEEL BAND - 100 Ft. Per Roll

| | | | | | | |
|------------|-----|-------|-------|------|-----|-----|
| US-8124-04 | 1/2 | 12.70 | 0.030 | 0.76 | 5.1 | 2.4 |
| US-8124-05 | 5/8 | 15.88 | 0.030 | 0.76 | 6.4 | 3.0 |
| US-8124-06 | 3/4 | 19.05 | 0.030 | 0.76 | 7.7 | 3.6 |

HEAVY DUTY (HD) BANDING

Heavy Duty Band is available in type 201. HD Band is designed for heavy duty applications and 1-1/4", 201 stainless steel band has a breaking strength of approximately 5500 lbs. We recommend double wrapping for maximum strength.

| Catalog Number | Width | | Thickness | | Weight | |
|----------------|--------|----|-----------|----|--------|----|
| | Inches | mm | Inches | mm | Lbs | Kg |

TYPE 201 HEAVY DUTY STAINLESS STEEL BAND - 100 Ft. Per Roll

| | | | | | | |
|------------|-------|-------|-------|------|------|-----|
| US-8124-30 | 3/4 | 19.05 | 0.044 | 1.12 | 11.6 | 5.4 |
| US-8124-31 | 1 | 25.40 | 0.044 | 1.12 | 13.7 | 6.4 |
| US-8124-32 | 1-1/4 | 31.75 | 0.044 | 1.12 | 17.2 | 8.0 |

BAND-STRAP .024" (.061mm) THICK - 200 - 300 Stainless Steel

| Catalog Number | Width | | Weight | | Package Quantity |
|----------------|--------|----|--------|----|------------------|
| | Inches | mm | Lbs | Kg | |

| | | | | | |
|------------|-----|-------|-------|------|--------------|
| US-8121-34 | 1/2 | 12.70 | 4.08 | 1.85 | 100 Ft. Roll |
| US-8121-35 | 5/8 | 15.88 | 5.09 | 2.31 | 100 Ft. Roll |
| US-8121-36 | 3/4 | 19.05 | 6.11 | 2.77 | 100 Ft. Roll |
| US-8121-28 | 1/2 | 12.70 | 8.15 | 3.70 | 200 Ft. Roll |
| US-8121-29 | 5/8 | 15.88 | 10.19 | 4.62 | 200 Ft. Roll |
| US-8121-30 | 3/4 | 19.05 | 12.23 | 5.54 | 200 Ft. Roll |



BAND TOOL

The USA BAND TOOL is a forged double-plated tool capable of tensioning over 2400 lbs. The banding tool has a built-in cutter and a spring loaded gripper lever. The spin handle has a large retaining ring to keep the handle in place and can be used to hang on a tool belt.

| Catalog Number | Description |
|----------------|-------------|
|----------------|-------------|

| | |
|------------|---|
| US-8120-01 | The USA Band Tool, Wt. 4.4 lbs (2.0 kg) - Package Quantity 1 |
| US-8120-43 | Close Quarter Tension Nut. Replaces tool tension handle when space is limited. Package Quantity 1 |
| US-8120-06 | Tension Screw/Handle kit - Package Quantity 1 |

HEAVY DUTY BAND TOOL

The Heavy Duty TOOL must be used with all Heavy Duty Bands. The HD TOOL is 16-1/2 inches long and is capable of up to 6,000 lbs. of tensioning.

| Catalog Number | Description |
|----------------|-------------|
|----------------|-------------|

| | |
|------------|--|
| US-8121-10 | The Heavy Duty Tool, Wt 11.7 lbs (5.3 Kg) - Package Quantity 1 |
|------------|--|



BUCKLES

| Catalog Number | Width | | Weight | |
|----------------|--------|----|--------|----|
| | Inches | mm | Lbs | Kg |

TYPE 201 STAINLESS STEEL BUCKLES - Package Quantity 100

| | | | | |
|------------|-----|-------|-----|-----|
| US-8122-54 | 1/2 | 12.70 | 2.1 | 1.0 |
| US-8122-55 | 5/8 | 15.88 | 2.4 | 1.1 |
| US-8122-56 | 3/4 | 19.05 | 3.7 | 1.7 |

TYPE 316 STAINLESS STEEL BUCKLES - Package Quantity 100

| | | | | |
|------------|-----|-------|-----|-----|
| US-8124-54 | 1/2 | 12.70 | 2.1 | 1.0 |
| US-8124-55 | 5/8 | 15.88 | 2.4 | 1.1 |
| US-8124-56 | 3/4 | 19.05 | 3.7 | 1.7 |

GALVANIZED CARBON STEEL BUCKLES - Package Quantity 100

| | | | | |
|------------|-----|-------|-----|-----|
| US-8123-54 | 1/2 | 12.70 | 2.1 | 1.1 |
| US-8123-55 | 5/8 | 15.88 | 2.4 | 1.1 |
| US-8123-56 | 3/4 | 19.05 | 3.7 | 1.7 |



HEAVY DUTY BUCKLES

HD Buckles are offered in widths and metals to correspond to HD Band. Clamps may be double wrapped for extra strength.

| Catalog Number | Width | | Weight | |
|----------------|--------|----|--------|----|
| | Inches | mm | Lbs | Kg |

TYPE 201/301 STAINLESS STEEL - Package Quantity 25

| | | | | |
|------------|-------|-------|-----|-----|
| US-8124-40 | 3/4 | 19.05 | 1.8 | 0.8 |
| US-8124-41 | 1 | 25.40 | 2.4 | 1.1 |
| US-8124-42 | 1-1/4 | 31.75 | 3.2 | 1.4 |

BAND CLIPS

| Catalog Number | Width | | Weight | |
|----------------|--------|----|--------|----|
| | Inches | mm | Lbs | Kg |

TYPE 201 STAINLESS STEEL BAND CLIPS - Package Quantity 100

| | | | | |
|------------|-----|-------|-----|-----|
| US-8121-54 | 1/2 | 12.70 | 2.1 | 1.0 |
| US-8121-55 | 5/8 | 15.88 | 2.4 | 1.1 |
| US-8121-56 | 3/4 | 19.05 | 3.7 | 1.7 |



A-SCREW LOCK BUCKLES - Stainless Steel

| Catalog Number | Width | | Weight | | Package Quantity |
|----------------|--------|-------|--------|-----|------------------|
| | Inches | mm | Lbs | Kg | |
| US-8127-24 | 1/2 | 12.70 | 2.1 | 1.0 | 25 |
| US-8127-25 | 5/8 | 15.88 | 2.4 | 1.1 | 25 |
| US-8127-26 | 3/4 | 19.05 | 3.7 | 1.7 | 25 |



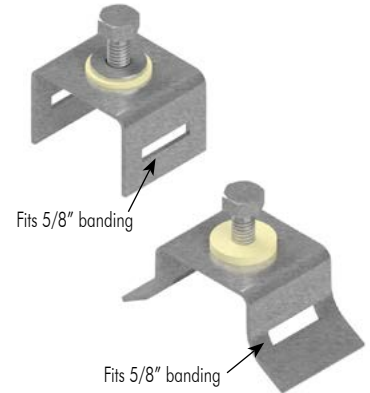
| Width Inches | Thick | 201 | | 316 | | Thick | Force | Thick | Force | Thick | Force |
|--------------|-------|-------|-------|-------|-------|-------|-------|-------|-------|-------|-------|
| | | Force | Force | Force | Force | | | | | | |
| 1/2 | 0.030 | 1500 | 1200 | 0.015 | 600 | 0.020 | 850 | 0.025 | 1050 | - | - |
| 5/8 | 0.030 | 1875 | 1500 | 0.015 | 750 | - | - | - | - | - | - |



Brackets

SIGN MOUNTING BRACKETS

| Catalog Number | Discription | Weight | |
|--|---|--------|-----|
| | | Lbs | Kg |
| 1-BOLT STRAIGHT LEG BRACKET (.075" THICK) - Package Quantity 50 | | | |
| US-8121-00 | Stainless Steel with SS Bolt, Washer and Fiber Washer | 7.3 | 3.3 |
| US-8120-04 | Stainless Steel without Bolt or Washer | | |
| US-8120-11 | Zinc Plated Steel with Carbon Bolt, Washer and Fiber Washer | 7.6 | 3.5 |
| 1-BOLT FLARED LEG BRACKET (.075" THICK) - Package Quantity 50 | | | |
| US-8120-21 | Stainless Steel with SS Bolt and Washer | 7.6 | 3.5 |
| US-8120-31 | Zinc Plated Steel with Carbon Bolt, Washer and Fiber Washer | 7.4 | 3.4 |



BOLTS, WASHERS for BRACKETS - 50 Per Box

| Catalog Number | Description |
|----------------|--|
| US-8120-02 | Bolts Stainless Steel for Stainless Brackets (5/16 - 18 x 3/4" Long Hex Head) |
| US-8121-80 | Bolts Zinc Plated Steel for Carbon Steel Brackets (5/16 - 18 x 3/4" Long Hex Head) |
| US-8120-03 | Fiber Washers |



MOUNTING PLATES - Per Each - Secure with band and buckles.

Strapping holds this extruded aluminum mounting plate to utility poles.

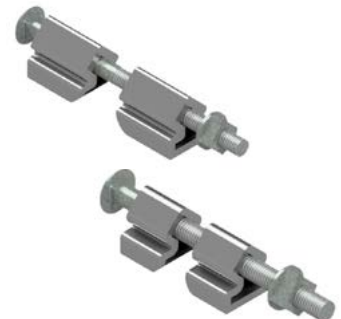
| Catalog Number | Description | Weight Lbs/Ea |
|----------------|---|---------------|
| US-8125-10 | Light Duty, 1-1/2" x 4-3/4" w/ 5/8"-11 x 2" Plated Bolt | 0.57 |
| US-8125-12 | Heavy Duty, 1-1/2" x 5-1/4" w/ 5/8"-11 x 2" Plated Bolt | 0.78 |
| US-8125-11 | Heavy Duty, 1-1/2" x 5-1/4" w/ 5/8"-11 x 3" Plated Bolt | 0.84 |
| US-8125-13 | Heavy Duty, 1-1/2" x 5-1/4" w/ 3/4"-11 x 3" Plated Bolt | 1.22 |



USA BOLT / CLAMP - Per Each

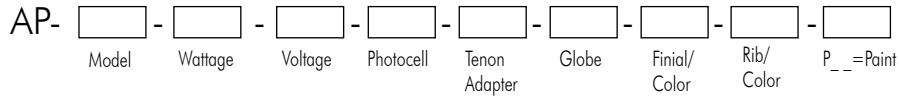
Extruded aluminum fittings with zinc plated bolt, nut and washer. To be used with USA Band for mounting pole hardware.

| Catalog Number | Description | Weight Lbs/Ea |
|----------------|---|---------------|
| US-8500 | Bolt/Clamp for use with 3/4" USA BAND band (US-8122-06). Includes plated nut, bolt 3/8" - 16 x 16" and washer. | 0.43 |
| US-8504 | Bolt/Clamp for use with 1-1/4" USA BAND band (US-8124-62). Includes plated nut, bolt 5/8" - 11 x 8" and washer. | 1.48 |



Bristol Series Luminaire

The Bristol Luminaires are available in metal halide, high pressure sodium, or LED and provide the look and charm of history. A unique modular electrical unit provides easy access for service. The Bristol Luminaire can be customized for a personalized style and requirement by selecting various options as indicated below.



Wattage:

| AP-0207 HPS | AP-0208 MH | AP-7520 LED |
|-------------|------------|-------------|
| 50HPS | 50MH | 37W |
| 100HPS | 100MH | 57W |
| 150HPS | 150MH | - |
| 250HPS | 250MH | - |

Voltage:

| AP-0207 HPS | AP-0208 | AP-7520 LED |
|-------------|---------|-------------|
| 120V | 120V | UNV |
| 240V | 240V | UNV |
| 277V | 277V | UNV |
| 480V | 480V | - |

Note: All LED Luminaires are 120-277V

Photocell:

| AP-0207 HPS | AP-0208 MH | AP-7520 LED |
|-------------|------------|-------------|
| NPC | NPC | NPC |
| PCS | PCS | 7P |
| PC | PC | PC |

None
Socket Only
w/ Photocell

Note: All LED Luminaires use 7-pin socket

Tenon Adapter:

| AP-0207 HPS | AP-0208 MH | AP-7520 LED |
|-------------|------------|-------------|
| TA | TA | TA |

Note: Adapter 2-7/8" OD post to 3-1/2" ID fixture

Globe:

| AP-0207 HPS | AP-0208 MH | AP-7520 |
|-------------|------------|---------|
| PLSM | PLSM | - |
| PLLG | PLLG | PLLG |
| T3AC | T3AC | T3AC |
| T5AC | T5AC | T5AC |
| T3ACPR | T3ACPR | - |
| T5ACPR | T5ACPR | - |
| T3ACSR | T3ACSR | - |
| T5ACSR | T5ACSR | - |
| T3DS59 | T3DS59 | T3DS |
| T5DS59 | T5DS59 | T5DS |

Polycarbonate Large
Type III Acrylic
Type V Acrylic
Type III Acrylic, Perforated Reflector
Type V Acrylic, Perforated Reflector
Type III Acrylic, Solid Reflector
Type V Acrylic, Solid Reflector
Type III Acrylic, Dark Sky, Color
Type V Acrylic, Dark Sky, Color

Note: 59 refers to P59 Textured Black, others colors available

Finial/Color:

| AP-0207 | AP-0208 | AP-7520 |
|---------|---------|---------|
| BL59 | BL59 | BL59 |
| ST59 | ST59 | ST59 |
| SI59 | SI59 | SI59 |
| FL59 | FL59 | FL59 |

3" Ball, Color
Steeple, Color
Spire, Color
Fleur, Color



Note: 59 refers to P59 Textured Black, others colors available

Ribs/Color:

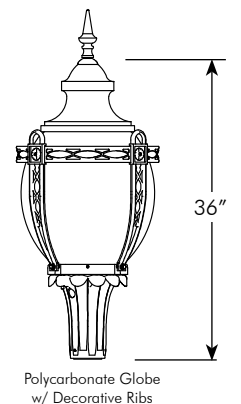
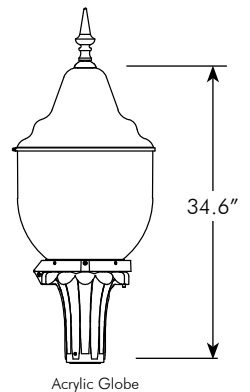
| AP-0207 | AP-0208 | AP-7520 |
|---------|---------|---------|
| T59 | T59 | T59 |
| TO59 | TO59 | TO59 |
| S59 | S59 | S59 |
| SO59 | SO59 | SO59 |

Tall, Color
Tall Open, Color
Short, Color
Short Open, Color



Notes: 59 refers to P59 Textured Black, others colors available
Decorative Ribs not available on small poly globe.

AP-0207- Bristol High Pressure Sodium AP-0208- Bristol Metal Halide AP-7520- Bristol LED



Note: 1. See Reference Section for available paint colors.

2. Retrofit Kits are available to easily convert Pelco's existing Bristol Luminaires to LED.



Lexington Series Luminaire

The Lexington LED Luminaire has a simple elegant style, yet brings a state-of-the-art photometric and maintenance technology to a unit reminiscent of the 19th century. The Lexington Luminaire is designed for use with a 2-3/8" diameter arm and can be customized by selecting various options as indicated below.

AP- - - - - - - - -

Model Wattage LED Color Temp Voltage Photocell Optics Shade P__=Paint

Wattage:

| AP-7523 | AP-7523 | AP-7524 |
|---------|---------|---------|
| 250HPS | 250MH | 136W |

Color Temp:

| AP-7523 | AP-7523 | AP-7524 |
|---------|---------|---------|
| - | - | 4K |

4500 Kelvin

Voltage:

| AP-7523 | AP-7523 | AP-7524 |
|---------|---------|---------|
| 120V | 120V | UNV |
| 208V | 208V | UNV |
| 240V | 240V | UNV |
| 277V | 277V | UNV |
| 480V | 480V | 480V |

Note: All LED Luminaires are 120-277V

Photocell:

| AP-7523 | AP-7523 | AP-7524 | |
|-------------|-------------|-------------|--------------|
| PC (3 pin) | PC (3 pin) | PC (7 pin) | Photocell |
| SC | SC | SC | Shorting Cap |
| PCS (3 pin) | PCS (3 pin) | PCS (7 pin) | w/ Photocell |

Optics:

| AP-7523 | AP-7523 | AP-7524 | |
|---------|---------|---------|------------------|
| T3DS59 | T3DS59 | T3DS | Type III Acrylic |

Note: 59 refers to P59 Textured Black, others colors available

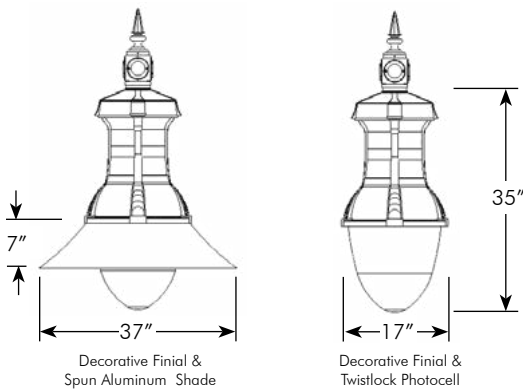
Shade:

| AP-7501 | |
|---------|---------------------|
| SHA | Spun Aluminum Shade |

Paint:

| AP-7501 | |
|---------|----------------------------|
| P59 | Textured Black Powder Coat |

AP-7523- Lexington Metal Halide
AP-7523- Lexington High Pressure Sodium
AP-7524- Lexington LED



Note: 1. Custom colors may be available. Contact Pelco for specifics.



Bristol Series Wall Mount Luminaire

The Bristol Wall Mount Luminaires are available in metal halide, high pressure sodium, or LED and provide the look and charm of history. A unique modular electrical unit provides easy access for service. The Bristol Luminaire can be customized for a personalized style and requirement by selecting various options as indicated below.

AP- - - - - - - -

Model Wattage Voltage Photocell Globe Finial/Color Rib/Color P__=Paint

Wattage:

| AP-0378 | AP-0367 | AP-7522 |
|---------|---------|---------|
| 50HPS | 50MH | 37W |
| 100HPS | 100MH | 57W |
| 150HPS | 150MH | - |
| 250HPS | 250MH | - |

Voltage:

| AP-0378 | AP-0367 | AP-7522 |
|---------|---------|---------|
| 120V | 120V | UNV |
| 240V | 240V | UNV |
| 277V | 277V | UNV |
| 480V | 480V | - |

Note: All LED Luminaires are 120-277V

Photocell:

| AP-0378 | AP-0367 | AP-7522 |
|---------|---------|---------|
| NPC | NPC | NPC |
| PCS | PCS | 7P |
| PC | PC | PC |

None
Socket Only
w/ Photocell

Note: All LED Luminaires use 7-pin socket

Globe:

| AP-0378 | AP-0367 | AP-7522 |
|---------|---------|---------|
| PLSM | PLSM | - |
| PLLG | PLLG | PLLG |
| T3AC | T3AC | T3AC |
| T5AC | T5AC | T3AC |
| T3ACPR | T3ACPR | - |
| T5ACPR | T5ACPR | - |
| T3ACSR | T3ACSR | - |
| T5ACSR | T5ACSR | - |
| T3DS59 | T3DS59 | T3DS |
| T5DS59 | T5DS59 | T3DS |

Polycarbonate Small
Polycarbonate Large
Type III Acrylic
Type V Acrylic
Type III Acrylic, Perforated Reflector
Type V Acrylic, Perforated Reflector
Type III Acrylic, Solid Reflector
Type V Acrylic, Solid Reflector
Type III Acrylic, Dark Sky, Color
Type V Acrylic, Dark Sky, Color

Note: 59 refers to P59 Textured Black, others colors available

Finial/Color:

| AP-0378 | AP-0367 | AP-7522 |
|---------|---------|---------|
| BL59 | BL59 | BL59 |
| ST59 | ST59 | ST59 |
| SI59 | SI59 | SI59 |
| FL59 | FL59 | FL59 |

3" Ball, Color
Steeple, Color
Spire, Color
Fleur, Color

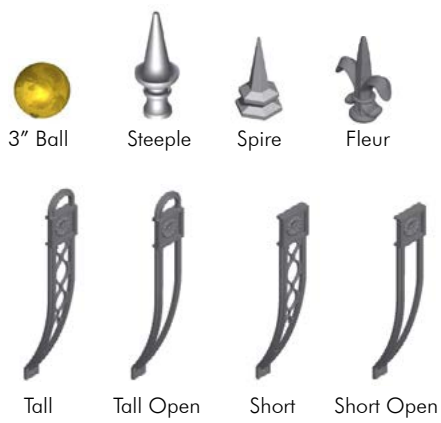
Note: 59 refers to P59 Textured Black, others colors available

Ribs/Color:

| AP-0378 | AP-0367 | AP-7522 |
|---------|---------|---------|
| T59 | T59 | T59 |
| TO59 | TO59 | TO59 |
| S59 | S59 | S59 |
| SO59 | SO59 | SO59 |

Tall, Color
Tall Open, Color
Short, Color
Short Open, Color

Note: 59 refers to P59 Textured Black, others colors available



Tall Tall Open Short Short Open

AP-0378- Bristol High Pressure Sodium
AP-0367- Bristol Metal Halide
AP-7522- Bristol LED

- Note: 1. See Reference Section for available paint colors.
 2. Retrofit Kits are available to easily convert Pelco's existing Bristol Luminaires to LED.
 3. Mounting hardware not included.



This page is intentionally left blank.



LED Luminaire Retrofits

Existing Bristol, Windsor, or Renaissance Luminaires can easily be converted to LED by replacing the electrical modules with LED Retrofit Kits.



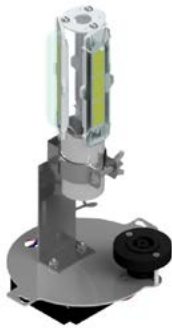
Bristol LED Retrofit Kit, Alum

AP-0655 - Wattage - Voltage - Photocell Socket - Coating
 37W=37 Watt UNV=120-277V NPC=None PNC=Process No Color
 57W=57 Watt 7P=7-Pin Socket P__=Paint



Bristol LED Retrofit Kit w/ Top Plate for 7-Pin Alum

AP-0657 - Wattage - Voltage - Photocell Socket - Coating
 37W=37 Watt UNV=120-277V NPC=None PNC=Process No Color
 57W=57 Watt 7P=7-Pin Socket P__=Paint



Windsor LED Retrofit Kit, Alum

AP-0658 - Wattage - Voltage - Photocell Socket - Coating
 37W=37 Watt UNV=120-277V NPC=None PNC=Process No Color
 57W=57 Watt 7P=7-Pin Socket



Renaissance LED Retrofit Kit, Alum

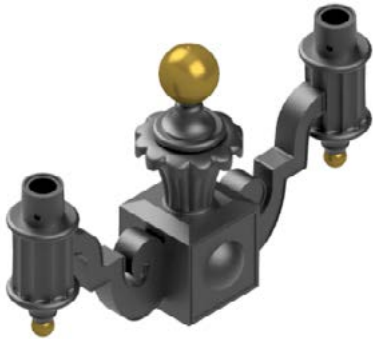
AP-0656 - Wattage - Voltage - Photocell Socket - Coating
 80W=80 Watt 120V=120 Volt NPC=None PNC=Process No Color

Note: 1. See Reference Section for available paint colors.



Arms, Column, and Wall Mounts

Pelco's twin arms can be mounted to a fluted or tapered pole. The twin arms and wall mount can accommodate the Bristol, Windsor, or Newport luminaire and are available with a variety of finials. Pelco's decorative column mount is available with an optional collar for additional ornamentation.

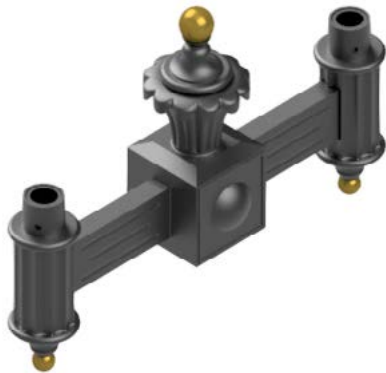


Twin Arm Assy, Fits 2-7/8" Pole Tenon, Alum w/ 3-1/2" Luminaire Tenons, 33" CTC

AP-8203 - -
 Finial/Color Paint
 BL__=2" Ball P__=Paint
 SL__=Spire
 SE__=Steeple
 FL__=Fleur



Note:
 Finial may be ordered as P28 Gold or same color as assembly, i.e., AP-8203-BL28-P59, for Gold Ball finial and Textured Black assembly.



Twin Arm Assy, Fits 2-7/8" Pole Tenon, Alum w/ 3-1/2" Luminaire Tenons, 35" CTC

AP-8374 - -
 Finial/Color Paint
 BL__=2" Ball P__=Paint
 SL__=Spire
 SE__=Steeple
 FL__=Fleur



Note:
 Finial may be ordered as P28 Gold or same color as assembly, i.e., AP-8374-BL28-P59, for Gold Ball finial and Textured Black assembly.



Wall Mount Arm Assy, Alum 16-1/2" Offset from Wall

AP-8230 - - -
 Tenon Finial/Color Paint
 2.8=2-13/16" OD BL__=2" Ball P__=Paint
 3.5=3-1/2" OD SL__=Spire
 SE__=Steeple
 FL__=Fleur

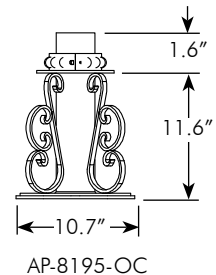


Note:
 Finial may be ordered as P28 Gold or same color as assembly, i.e., AP-8230-BL28-P59, for Gold Ball finial and Textured Black assembly.



Column Mount, Alum w/ 3-1/2" Luminaire Tenon 8-1/2" Bolt Circle for 1/2" Hardware

AP-8195 - -
 Collar Paint
 Blank=No Collar P__=Paint
 OC=Ornamental
 Collar



Note: 1. See Reference Section for available paint colors.
 2. Mounting hardware not included.



Post Top Luminaire Poles

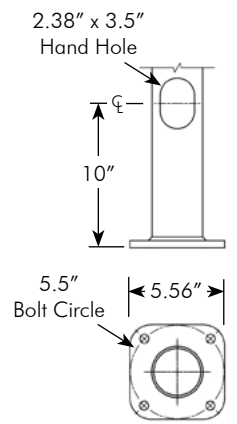
Pelco manufactures a variety of Lighting Poles, straight, fluted, and tapered, that are available for post top mounted luminaires. Poles vary in size, shape, height, and material, and are designed to fit any requirement.



Light Pole, 3-1/2" OD Steel w/ Hand Hole

AP-0220 -

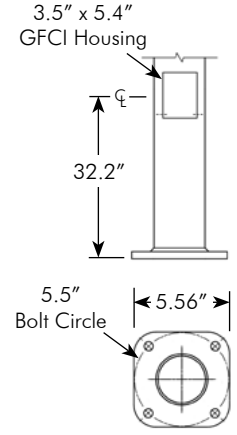
| Height | Coating |
|--------|-----------|
| 05=5' | P__=Paint |
| 08=8' | |
| 10=10' | |
| 12=12' | |
| 14=14' | |



Light Pole, 3-1/2" OD Steel w/ GFCI Option

AP-0376 -

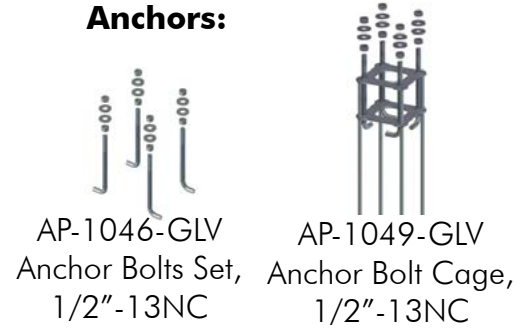
| Height | GFCI | Coating |
|--------|---------------|-----------|
| 05=5' | Blank=w/o Kit | P__=Paint |
| 08=8' | GFCI=w/ Kit | |
| 10=10' | | |
| 12=12' | | |
| 14=14' | | |



ABS Bases:



Anchors:



Aluminum Bases:



Note: 1. See Reference Section for available paint colors.
 2. For more indepth information on Bases see page T15-25 through T15-29.
 3. For Anchors see sections T11 and T12.



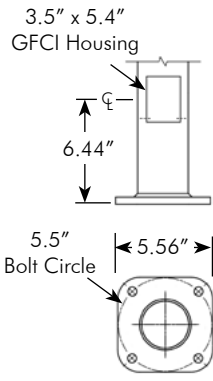
Post Top Luminaire Poles

Pelco manufactures a variety of Lighting Poles, straight, fluted, and tapered, that are available for post top mounted luminaires. Poles vary in size, shape, height, and material, designed to fit any need.



Light Pole, 3-1/2" OD Steel w/ Lower GFCI Option

AP-0302 - - -
 Height GFCI Coating
 05=5' Blank=w/o Kit P__=Paint
 08=8' GFCI=w/ Kit
 10=10'
 12=12'
 14=14'



ABS Bases:



AP-0803
Rochester I



AP-0810
Hamilton

Anchors:



AP-1046-GLV
Anchor Bolts Set,
1/2"-13NC



AP-1049-GLV
Anchor Bolt Cage,
1/2"-13NC

Aluminum Bases:



AP-0811
Country
Club

Note: 1. See Reference Section for available paint colors.
 2. For more indepth information on Bases see page T15-25 through T15-29.
 3. For Anchors see sections T11 and T12.



Post Top Luminaire Poles

Pelco manufactures a variety of Lighting Poles, straight, fluted, and tapered, that are available for post top mounted luminaires. Poles vary in size, shape, height, and material, designed to fit any need.

Light Pole, 4" Fluted, Alum w/ 3-1/2" OD x 2-7/8" Long Tenon, w/ Hand Hole & Grounding Lug

AP-8122 -

| Height | Coating |
|--------|-----------|
| 10=10' | P__=Paint |
| 12=12' | |
| 14=14' | |

Light Pole, 4" Fluted, Alum w/ 3-1/2" OD x 2-7/8" Long Tenon, w/ Hand Hole & Grounding Lug

AP-8468 -

| Height | Coating |
|--------|-----------|
| 15=15' | P__=Paint |
| 18=18' | |
| 20=20' | |

Anchors:

AP-1019-GLV Anchor Bolts Set, 3/4"-10NC

AP-1089-GLV Anchor Bolt Cage, 3/4"-10NC

Aluminum Bases:

AP-0814 LeGrande

AP-0819 Manchester

AP-0816 Hamilton

PB-5414 Octagonal

AP-0817 Oxford

Note: 1. See Reference Section for available paint colors.
 2. For more indepth information on Bases see page T15-25 through T15-29.
 3. For Anchors see sections T11 and T12.



This page is intentionally left blank.



Post Top Luminaire Poles

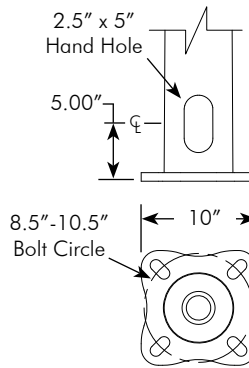
Pelco manufactures a variety of Lighting Poles, straight, fluted, and tapered, that are available for post top mounted luminaires. Poles vary in size, shape, height, and material, designed to fit any need.



Light Pole, Fluted Tapered, Steel w/ 3-1/2" OD x 3-1/2" Long Tenon, GFCI Option

AP-8700 -

| | | |
|--------|---------------|----------------|
| Height | GFCI | Coating |
| 8=8' | Blank=w/o Kit | GLV=Galvanized |
| 10=10' | GFCI=w/ Kit | P__=Paint |



ABS Bases:



AP-0809-5.63-13.13
Rochester II
(w/o GFCI)



AP-0810-5.81-13.13
Hamilton

Anchors:



AP-1019-GLV
Anchor Bolts Set,
3/4"-10NC



AP-1089-GLV
Anchor Bolt Cage,
3/4"-10NC

Aluminum Bases:



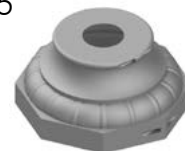
AP-0814-5.63
LeGrande
(w/o GFCI)



AP-0819-5.7:
Manchester



AP-0816-5.75
Hamilton



AP-0817-6F
Oxford

Note: 1. See Reference Section for available paint colors.
2. For more indepth information on Bases see page T15-25 through T15-29.
3. For Anchors see sections T11 and T12.



Post Top Luminaire Poles

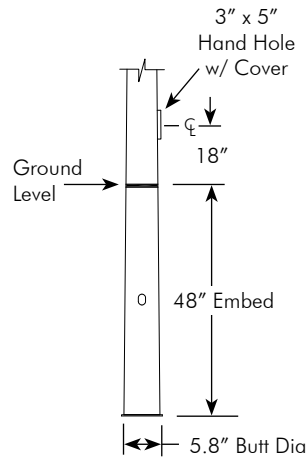
Pelco manufactures a variety of Lighting Poles, straight, fluted, and tapered, that are available for post top mounted luminaires. Poles vary in size, shape, height, and material, designed to fit any need.

Direct Bury Light Pole, Tapered Steel, 11 Gauge, 5.8" Butt x 19' Tall 3-1/2" OD x 3" Long Tenon, w/ Hand Hole Cover & Grounding Lug

AP-3056 -

| |
|---------|
| Coating |
| |

P__=Paint



ABS Bases:

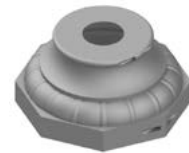


AP-0809-4.88-5.63
Rochester II



AP-0803-4.88-5.63
Rochester I

AP-0817-5.25
Oxford



Aluminum Bases:

Ground Level →



AP-0814-4.88
LeGrande



AP-0811-5.00
Country Club



AP-0819-5.00
Manchester



AP-0816-5.00
Hamilton

Note: 1. See Reference Section for available paint colors.
2. For more indepth information on Bases see page T15-25 through T15-29.



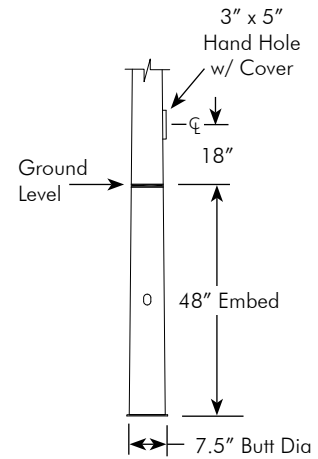
Post Top Luminaire Poles

Pelco manufactures a variety of Lighting Poles, straight, fluted, and tapered, that are available for post top mounted luminaires. Poles vary in size, shape, height, and material, designed to fit any need.

Direct Bury Light Pole, Tapered Steel, 11 Gauge, 7.5" Butt x 25' Tall 3-1/2" OD x 3" Long Tenon, w/ Hand Hole Cover & Grounding Lug



AP-3057 - Coating
P__=Paint



ABS Bases:



AP-0809-6.56-7.25
Rochester II

Aluminum Bases:

Ground Level →



AP-0802-6.63
Ornamental

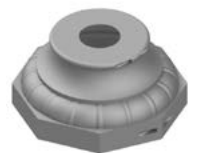


AP-0819-6.69
Manchester

AP-0816-6.75
Hamilton



AP-0817-6.88
Oxford

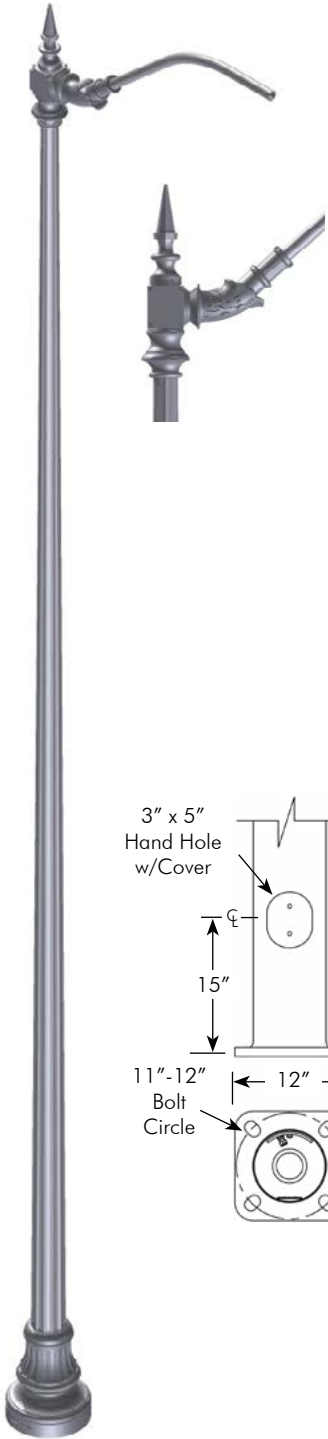


Note: 1. See Reference Section for available paint colors.
2. For more indepth information on Bases see page T15-25 through T15-29.



Majestic Roadway Luminaire Poles

The Majestic Roadway Lighting Poles are available for single or twin luminaires and with 6' or 8' arms fabricated with a 29" rise. The fluted tapered steel pole offers great strength and durability, with the Hamilton base completing the classic decorative look.



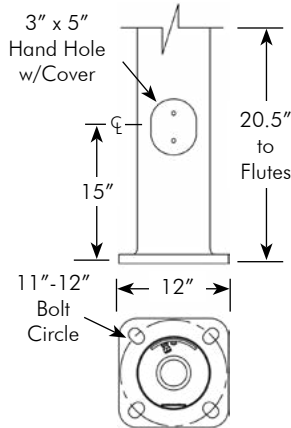
| Pole Height | Arm Length | Arm | Part Number | Allowable EPA (ft ²) per arm at 90 mph with max. luminaire weight of 60 lbs | Allowable EPA (ft ²) per arm at 100 mph with max. luminaire weight of 60 lbs |
|-------------|------------|--------|-------------|---|--|
| 30'-0" | 6'-0" | Single | AP-8327 | 7.0 | 5.6 |
| | 8'-0" | Single | AP-8347 | 4.6 | 3.6 |

Note:

Majestic Poles come standard with Hamilton Base, for optional Hamilton Base w/ Riser specify by adding -BR in the part number, i.e., AP-8327-BR-P59

EPA=Projected area of luminaire multiplied by coefficient of drag

Compliant with AASHTO 2013



Anchors:



AP-1007-3-GLV
Anchor Bolts Set,
1"-8NC
w/ Template



AP-3129-GLV
Anchor Bolt Cage,
1"-8NC



PB-5372-GLV
6" Foundation
Anchor

Aluminum Bases:



AP-0816-7.75
Hamilton
(Standard)



AP-0823-7.75
Hamilton w/ Riser
(Optional)

- Note: 1. See Reference Section for available paint colors.
2. For more indepth information on Bases see page T15-25 through T15-29.
3. For Anchors see sections T11 and T12.



Majestic Roadway Luminaire Poles

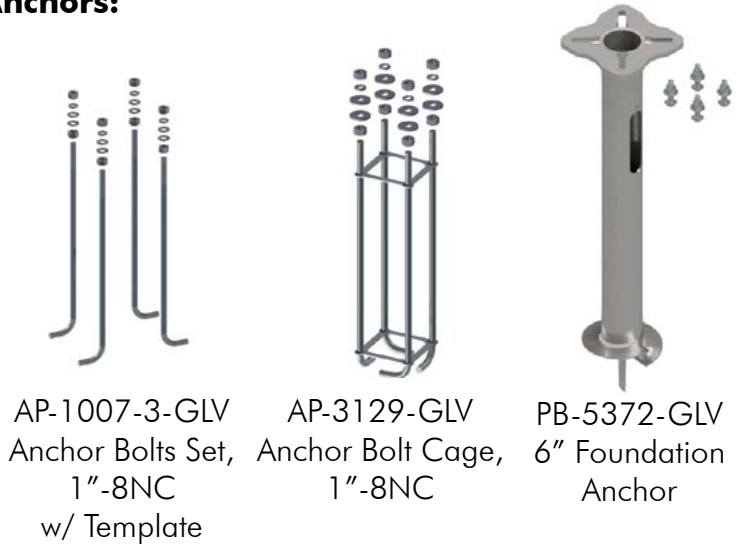
The Majestic Roadway Lighting Poles are available for single or twin luminaires and with 6' or 8' arms fabricated with a 29" rise. The fluted tapered steel pole offers great strength and durability, with the Hamilton base completing the classic decorative look.



| Pole Height | Arm Length | Arm | Part Number | Allowable EPA (ft ²) per arm at 90 mph with max. luminaire weight of 60 lbs | Allowable EPA (ft ²) per arm at 100 mph with max. luminaire weight of 60 lbs |
|-------------|------------|--------|-------------|---|--|
| 30'-0" | 6'-0" | Single | AP-8328 | 7.0 | 5.6 |
| | 8'-0" | Single | AP-8348 | 4.6 | 3.6 |

Note:
Majestic Poles come standard with Hamilton Base, for optional Hamilton Base w/ Riser specify by adding -BR in the part number, i.e., AP-8347-BR-P59
EPA=Projected area of luminaire multiplied by coefficient of drag
Compliant with AASHTO 2013

Anchors:



Aluminum Bases:

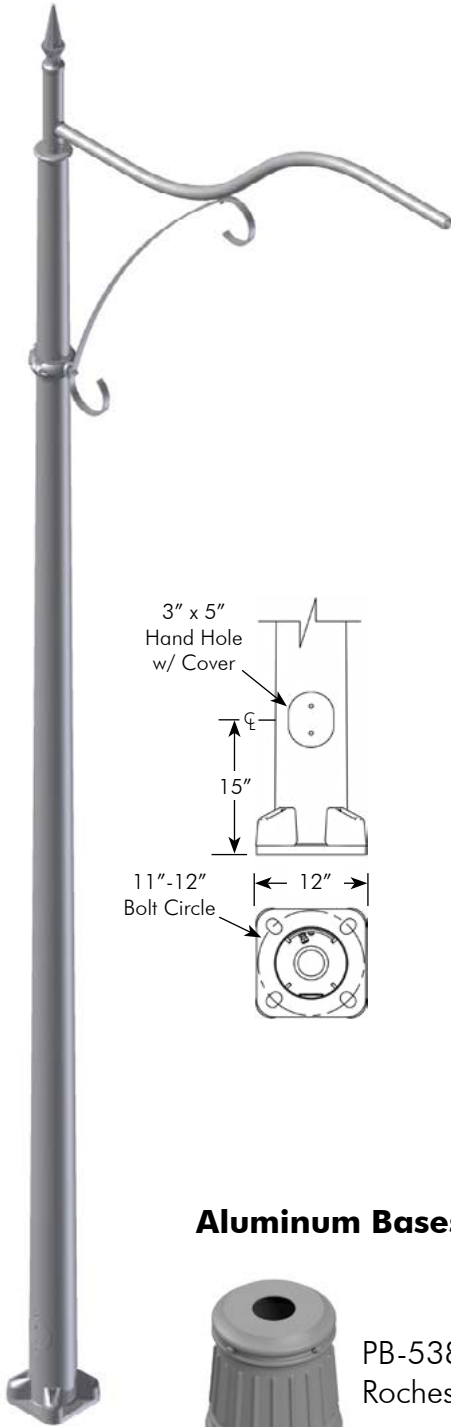


- Note: 1. See Reference Section for available paint colors.
2. For more indepth information on Bases see page T15-25 through T15-29.
3. For Anchors see sections T11 and T12.



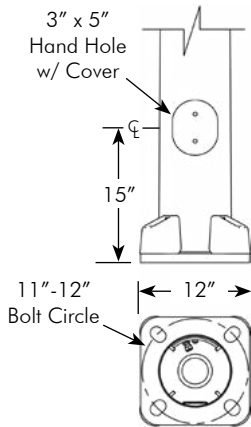
Traditional Roadway Luminaire Poles

The Traditional Roadway Luminaire Poles are available in 22-1/2', 25', and 30' heights. They are provided with either 6' or 8' single or twin arms, fabricated with a 26" rise. The steel tapered poles offer an affordable graceful look that can accept a variety of decorative bases or be provided with simple nut covers.

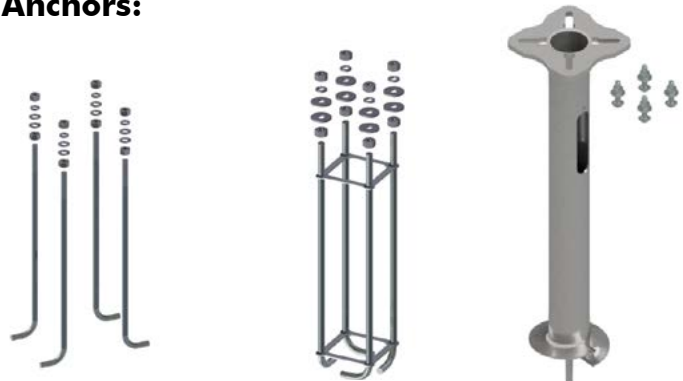


| Pole Height | Arm Length | Arm | Part Number | Allowable EPA (ft ²) per arm at 90 mph with max. luminaire weight of 60 lbs | Allowable EPA (ft ²) per arm at 100 mph with max. luminaire weight of 60 lbs |
|-------------|------------|--------|-------------|---|--|
| 22'-6" | 8'-0" | Single | AP-8489 | 5.0 | 3.9 |
| 25'-0" | 8'-0" | Single | AP-8556 | 4.8 | 3.8 |
| 30'-0" | 8'-0" | Single | AP-8301 | 4.6 | 3.6 |

Note:
Bolt/Nut Covers are available. Specify by adding -BC in the part number, i.e., AP-8301-BC-P59
EPA=Projected area of luminaire multiplied by coefficient of drag
Compliant with AASHTO 2013



Anchors:



AP-1007-3-GLV
Anchor Bolts Set,
1"-8NC
w/ Template

AP-3129-GLV
Anchor Bolt Cage,
1"-8NC

PB-5372-GLV
6" Foundation
Anchor

Aluminum Bases:



PB-5384-7.69
Rochester



AP-0802-7.75
Ornamental



AP-0816-7.81
Hamilton



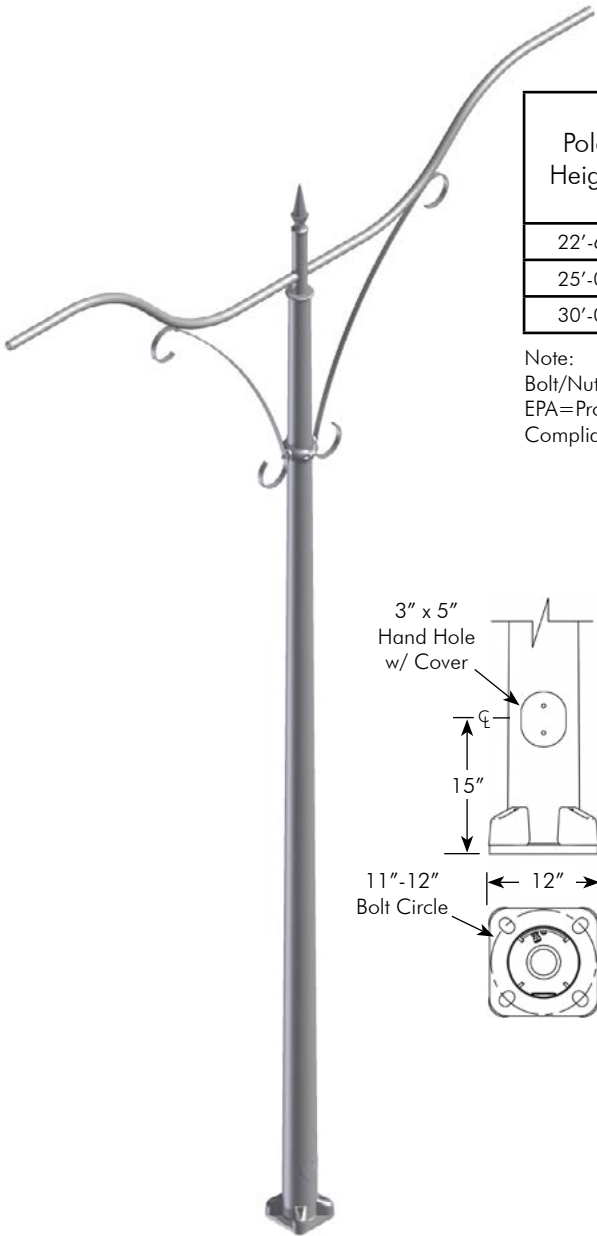
AP-0817-8.00
Oxford

Note: 1. See Reference Section for available paint colors.
2. For more indepth information on Bases see page T15-25 through T15-29.
3. For Anchors see sections T11 and T12.



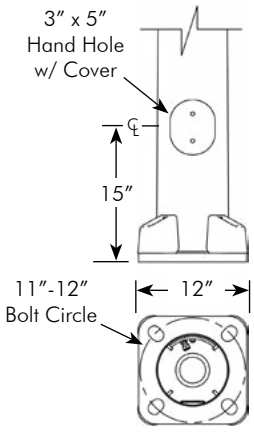
Traditional Roadway Luminaire Poles

The Traditional Roadway Luminaire Poles are available in 22-1/2', 25', and 30' heights. They are provided with either 6' or 8' single or twin arms, fabricated with a 26" rise. The steel tapered poles offer an affordable graceful look that can accept a variety of decorative bases or be provided with simple nut covers.

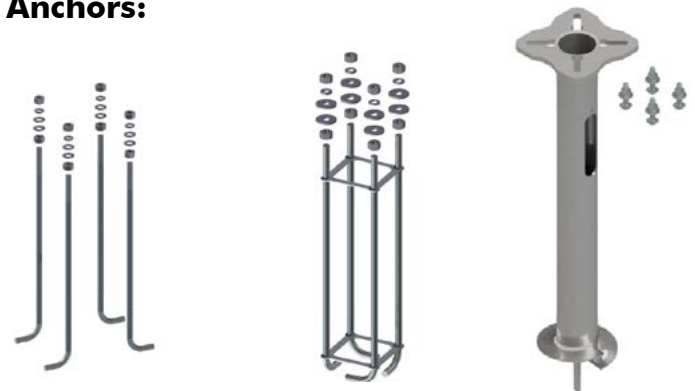


| Pole Height | Arm Length | Arm | Part Number | Allowable EPA (ft ²) per arm at 90 mph with max. luminaire weight of 60 lbs | Allowable EPA (ft ²) per arm at 100 mph with max. luminaire weight of 60 lbs |
|-------------|------------|------|-------------|---|--|
| 22'-6" | 8'-0" | Twin | AP-8490 | 5.0 | 3.9 |
| 25'-0" | 8'-0" | Twin | AP-8563 | 4.8 | 3.8 |
| 30'-0" | 8'-0" | Twin | AP-8302 | 4.6 | 3.6 |

Note:
Bolt/Nut Covers are available. Specify by adding -BC in the part number, i.e., AP-8302-BC-P59
EPA=Projected area of luminaire multiplied by coefficient of drag
Compliant with AASHTO 2013



Anchors:



AP-1007-3-GLV
Anchor Bolts Set,
1"-8NC
w/ Template

AP-3129-GLV
Anchor Bolt Cage,
1"-8NC

PB-5372-GLV
6" Foundation
Anchor

Aluminum Bases:



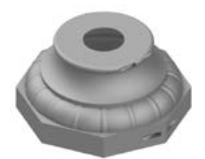
PB-5384-7.69
Rochester



AP-0802-7.75
Ornamental



AP-0816-7.81
Hamilton



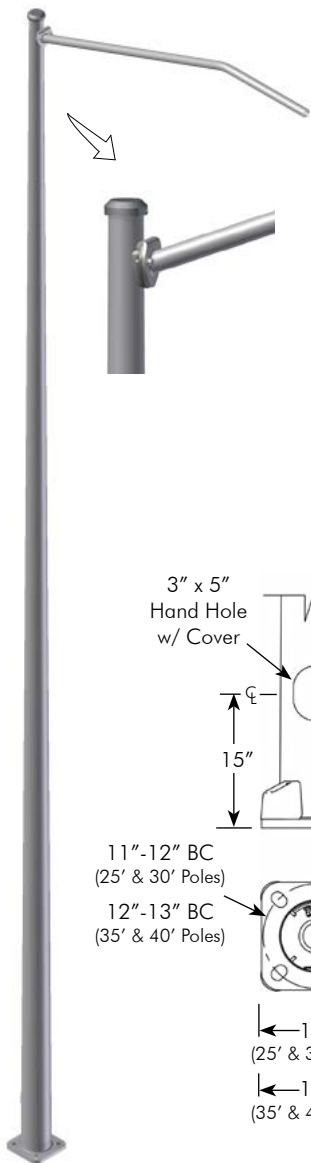
AP-0817-8.00
Oxford

Note: 1. See Reference Section for available paint colors.
2. For more in-depth information on Bases see page T15-25 through T15-29.
3. For Anchors see sections T11 and T12.



Simplex Roadway Luminaire Poles

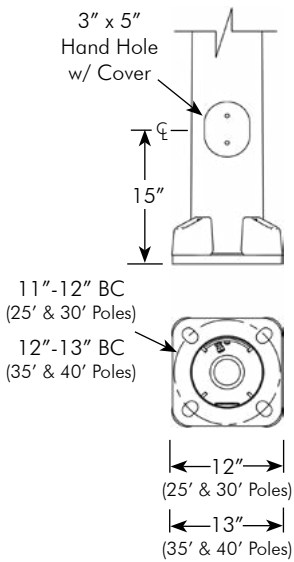
The Simplex Roadway Luminaire Poles are available in 25', 30', 35', and 40' heights. They are provided with either 6' or 8' single or twin arms, fabricated with a 24" rise. The steel tapered poles can accept a variety of decorative bases or be provided with simple nut covers.



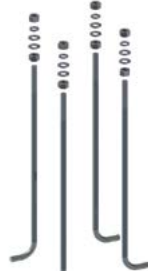
| Pole Height | Arm Length | Arm | Part Number | Allowable EPA (ft ²) per arm at 90 mph with max. luminaire weight of 60 lbs | Allowable EPA (ft ²) per arm at 100 mph with max. luminaire weight of 60 lbs |
|-------------|------------|--------|--------------|---|--|
| 25'-0" | 6'-0" | Single | AP-8571-25-6 | 6.8 | 5.4 |
| | 8'-0" | Single | AP-8571-25-8 | 4.5 | 3.5 |
| 30'-0" | 6'-0" | Single | AP-8571-30-6 | 6.5 | 5.2 |
| | 8'-0" | Single | AP-8571-30-8 | 4.3 | 3.3 |
| 35'-0" | 6'-0" | Single | AP-8571-35-6 | 6.3 | 5.0 |
| | 8'-0" | Single | AP-8571-35-8 | 4.1 | 3.2 |
| 40'-0" | 6'-0" | Single | AP-8571-40-6 | 6.1 | 4.8 |
| | 8'-0" | Single | AP-8571-40-8 | 4.0 | 3.1 |

Note:

Bolt/Nut Covers are available. Specify by adding -BC in the part number, i.e., AP-8571-30-6-BC-GLV.
EPA=Projected area of luminaire multiplied by coefficient of drag
Compliant with AASHTO 2013



Anchors:



AP-1007-3-GLV
1"-8NC
(25' & 30' Poles)

AP-1020-GLV
1-1/4"-7NC
(35' & 40' Poles)



AP-3129-GLV
1"-8NC
(25' & 30' Poles)

AP-3146-GLV
1-1/4"-7NC
(35' & 40' Poles)



PB-5372-GLV
6" Foundation Anchor
(25', 30', 35', & 40' Poles)

Aluminum Bases:



| Pole Height | Base ID |
|-------------|---------|
| 25' | 7.13" |
| 30' | 7.63" |
| 35' | 8.13" |
| 40' | 8.63" |

PB-5384 Rochester



| Pole Height | Base ID |
|-------------|---------|
| 25' | 7.25" |
| 30' | 7.75" |
| 35' | 8.25" |
| 40' | 8.75" |

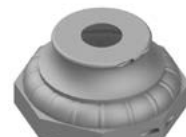
AP-0802 Ornamental



| Pole Height | Base ID |
|-------------|---------|
| 25' | 7.31" |
| 30' | 7.88" |
| 35' | N/A |
| 40' | N/A |

AP-0816 Hamilton

| Pole Height | Base ID |
|-------------|---------|
| 25' | 7.50" |
| 30' | 8.00" |
| 35' | 8.44" |
| 40' | 9.00" |



AP-0817 Oxford

- Note: 1. See Reference Section for available paint colors.
2. For more in-depth information on Bases see page T15-25 through T15-29.
3. For Anchors see sections T11 and T12.



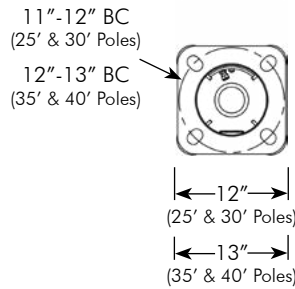
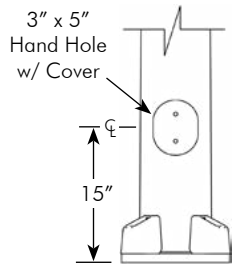
Simplex Roadway Luminaire Poles

The Simplex Roadway Luminaire Poles are available in 25', 30', 35', and 40' heights. They are provided with either 6' or 8' single or twin arms, fabricated with a 24" rise. The steel tapered poles can accept a variety of decorative bases or be provided with simple nut covers.



| Pole Height | Arm Length | Arm | Part Number | Allowable EPA (ft ²) per arm at 90 mph with max. luminaire weight of 60 lbs | Allowable EPA (ft ²) per arm at 100 mph with max. luminaire weight of 60 lbs |
|-------------|------------|------|--------------|---|--|
| 25'-0" | 6'-0" | Twin | AP-8572-25-6 | 6.8 | 5.4 |
| | 8'-0" | Twin | AP-8572-25-8 | 4.5 | 3.5 |
| 30'-0" | 6'-0" | Twin | AP-8572-30-6 | 6.5 | 5.2 |
| | 8'-0" | Twin | AP-8572-30-8 | 4.3 | 3.3 |
| 35'-0" | 6'-0" | Twin | AP-8572-35-6 | 6.3 | 5.0 |
| | 8'-0" | Twin | AP-8572-35-8 | 4.1 | 3.2 |
| 40'-0" | 6'-0" | Twin | AP-8572-40-6 | 6.1 | 4.8 |
| | 8'-0" | Twin | AP-8572-40-8 | 4.0 | 3.1 |

Note:
Bolt/Nut Covers are available. Specify by adding -BC in the part number, i.e., AP-8572-30-6-BC-GLV.
EPA=Projected area of luminaire multiplied by coefficient of drag
Compliant with AASHTO 2013



Anchors:



AP-1007-3-GLV
1"-8NC
(25' & 30' Poles)

AP-1020-GLV
1-1/4"-7NC
(35' & 40' Poles)



AP-3129-GLV
1"-8NC
(25' & 30' Poles)

AP-3146-GLV
1-1/4"-7NC
(35' & 40' Poles)



PB-5372-GLV
6" Foundation Anchor
(25', 30', 35', & 40' Poles)

Aluminum Bases:



| Pole Height | Base ID |
|-------------|---------|
| 25' | 7.13" |
| 30' | 7.63" |
| 35' | 8.13" |
| 40' | 8.63" |

PB-5384 Rochester



| Pole Height | Base ID |
|-------------|---------|
| 25' | 7.25" |
| 30' | 7.75" |
| 35' | 8.25" |
| 40' | 8.75" |

AP-0802 Ornamental



| Pole Height | Base ID |
|-------------|---------|
| 25' | 7.31" |
| 30' | 7.88" |
| 35' | N/A |
| 40' | N/A |

AP-0816 Hamilton

| Pole Height | Base ID |
|-------------|---------|
| 25' | 7.50" |
| 30' | 8.00" |
| 35' | 8.44" |
| 40' | 9.00" |



AP-0817 Oxford

Note: 1. See Reference Section for available paint colors.
2. For more indepth information on Bases see page T15-25 through T15-29.
3. For Anchors see sections T11 and T12.



This page is intentionally left blank.



ABS Plastic Bases

Pelco ABS Plastic Bases are manufactured from an ultraviolet inhibited material that provides protections against U.V. degradation which ensures years of lasting beauty. A variety of styles and sizes are available. Lightweight and easy installation.



Old Town I Base Assy, Black ABS Plastic 25" High x 9-1/4" Points

AP-0804 - $\begin{matrix} \text{Top ID} \\ \square \\ 3.5=3-1/2" \end{matrix}$ - $\begin{matrix} \text{Bottom ID} \\ \square \\ 7.5=7-1/2" \end{matrix}$ - PNC

Note: Top Opening: 3-1/2" max
Bottom Opening: 7-1/2" max



Rochester I Base Assy, Black ABS Plastic 41" High x 15-11/16" Across Points

AP-0803 - $\begin{matrix} \text{Top ID} \\ \square \\ 5.75=5-3/4" \end{matrix}$ - $\begin{matrix} \text{Bottom ID} \\ \square \\ 12.0=12" \end{matrix}$ - PNC

Note: Top Opening: 5-3/4" max
Bottom Opening: 12" max



Rochester II Base Assy, Black ABS Plastic 41" High x 19" Across Points

AP-0809 - $\begin{matrix} \text{Top ID} \\ \square \\ 9.0=9" \end{matrix}$ - $\begin{matrix} \text{Bottom ID} \\ \square \\ 15.0=15" \end{matrix}$ - PNC

Note: Top Opening: 9" max
Bottom Opening: 15" max



Hamilton Base Assy, Black ABS Plastic 21" High x 16-1/8" Base Dia

AP-0810 - $\begin{matrix} \text{Top ID} \\ \square \\ 6.5=6-1/2" \end{matrix}$ - $\begin{matrix} \text{Bottom ID} \\ \square \\ 14.5=14-1/2" \end{matrix}$ - PNC

Note: Top Opening: 6-1/2" max
Bottom Opening: 14-1/2" max

Note: 1. Refer to individual pole pages for cross reference for proper fit of base and pole.

Aluminum Bases

Pelco has several different Aluminum Base designs. A variety of styles and sizes are available to fit any specific requirement.



Old Town I Base Assy, Alum 23-1/2" High x 9-1/4" Across Points

AP-0801 - -
 2.38=2-3/8" PNC=Process No Color
 2.88"=2-7/8" P_ =Paint
 3.5=3-1/2"

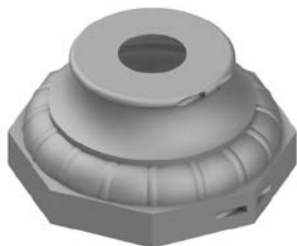
Note: Top Opening: 2-3/8" min to 3-1/2" max
 Bottom Opening: 7-1/2" max



Country Club Base Assy, Alum 28" High x 13-5/8" OD

AP-0811 - -
 3.5=3-1/2" PNC=Process No Color
 4.5=4-1/2" P_ =Paint
 3F= 3" Fluted

Note: Top Opening: 3-1/2" min to 4-1/2" max
 Bottom Opening: 12" max



Oxford Base Assy, Alum 9" High x 19-1/4" Across Points

AP-0817 - -
 8.5= 8-1/2" PNC=Process No Color
 4F=4" Fluted P_ =Paint
 6F=6" Fluted

Note: Top Opening: 3-1/2" min to 8-1/2" max
 Bottom Opening: 17" max

Note: 1. See Reference Section for available paint colors.
 2. Refer to individual pole pages for cross reference for proper fit of base and pole.



Aluminum Bases

Pelco has several different Aluminum Base designs. A variety of styles and sizes are available to fit any specific requirement.



Huntington Base Assy, Alum 15-3/4" High x 11-1/4" OD

AP-0820 - -
 Base ID Coating
 3.5=3-1/2" PNC=Process No Color
 4.0=4" P__=Paint

Note: Top Opening: 3" min to 4" max
 Bottom Opening: 10-3/4" max



Manchester Base Assy w/ Door, Alum 27" High x 18-1/2" OD

AP-0819 - -
 Base ID Coating
 4.0=4" PNC=Process No Color
 7.0=7" P__=Paint
 4F=4" Fluted

Note: Top Opening: 3" min to 4" max
 Bottom Opening: 7" max



LeGrande Base Assy, Alum 38" High x 18-1/2" OD

AP-0814 - -
 Base ID Coating
 3.5=3-1/2" PNC=Process No Color
 4.5=4-1/2" P__=Paint
 5.5=5-1/2"
 3F= 3" Fluted
 4F=4" Fluted

Note: Top Opening: 3-1/2" min to 5-3/4" max
 Bottom Opening: 17" max

Note: 1. See Reference Section for available paint colors.
 2. Refer to individual pole pages for cross reference for proper fit of base and pole.



Aluminum Bases

Pelco has several different Aluminum Base designs. A variety of styles and sizes are available to fit any specific requirement.



Hamilton Base Assy, Alum 24" High x 18-1/2" OD

AP-0816 - -
 Base ID Coating
 4.06=4-1/16" PNC=Process No Color
 4.5=4-1/2" P__=Paint
 5.5=5-1/2"
 8.5=8-1/2" (max)

Note: Top Opening: 4" min to 8-1/2" max
 Bottom Opening: 16-3/4" max



Hamilton Base Assy, Alum 31-1/4" High x 18-1/2" OD

AP-0823 - -
 Base ID Coating
 4.06=4-1/16" PNC=Process No Color
 4.5=4-1/2" P__=Paint
 5.5=5-1/2"
 8.5=8-1/2" (max)

Note: Top Opening: 4" min to 8-1/2" max
 Bottom Opening: 16-3/4" max



Octagonal Base Assy, Alum 14-3/16" High x 17-13/16" Across Points

PB-5416 - -
 Base ID Coating
 2.88=2-7/8" PNC=Process No Color
 3.5=3-1/2" P__=Paint
 4=4"
 4.5=4-1/2"
 5=5"

Note: Top Opening: 2-7/8" min to 5" max
 Bottom Opening: 16" max



Octagonal Base Assy, for 4" Fluted Pole, Alum 14" High x 17-13/16" Across Points

PB-5414 -
 Coating
 PNC=Process No Color
 P__=Paint

Note: Top Opening: 4" Fluted Only
 Bottom Opening: 16" max

Note: 1. See Reference Section for available paint colors.
 2. Refer to individual pole pages for cross reference for proper fit of base and pole.



Aluminum Bases

Pelco has several different Aluminum Base designs. A variety of styles and sizes are available to fit any specific requirement.



Rochester Base Assy, Alum 36" High x 28" Across Points

PB -5384 - -
 Base ID Coating
 8.0=8" PNC=Process No Color
 10.63=10-5/8" P__=Paint
 14.13=14-1/8"
 16"=16"

Note: Top Opening: 8" min to 16" max
 Bottom Opening: 26" max



Ornamental Base Assy, Alum 32" High x 28-3/4" Across Points

AP-0802 - - -
 Base ID Trim Coating
 8.0=8" T__=Trim Color PNC=Process No Color
 10.0=10" P__=Paint
 12.0=12"

Note: Top Opening: 6" min to 12" max
 Bottom Opening: 23" max



Square Cover Assy, 2-Piece, Alum 5-1/4" High x 16" Square

PB-5399 - -
 Base ID Coating
 4.5=4-1/2" PNC=Process No Color
 6.8=6-13/16" P__=Paint
 7.5=7-1/2"
 8.0=8-1/2"

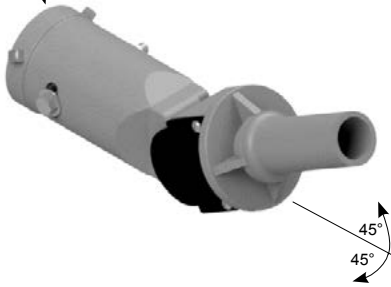
Note: Top Opening: 4-1/2" min to 8-5/8" max
 Bottom Opening: 15" max

Note: 1. See Reference Section for available paint colors.
 2. Refer to individual pole pages for cross reference for proper fit of base and pole.

Lighting Arms

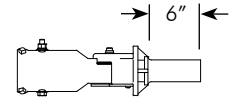
Pelco manufactures a variety of Lighting Arms that are available for single or twin luminaires. Both 1-5/8" and 2-3/8" diameter arms are available in aluminum and steel.

For 2-3/8" Tenon



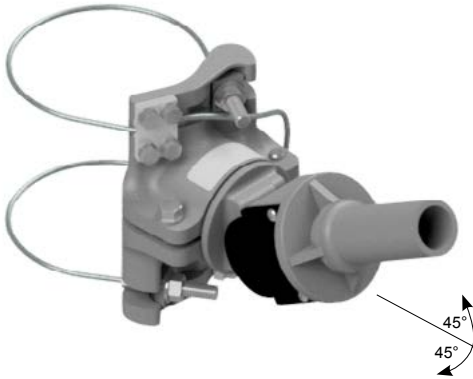
Lumi-Brac, 1-5/8" Dia Tenon, Adjustable View 2-3/8" OD Tenon Mount, Alum

SP-6350 - Coating
 PNC= Process No Color
 P__=Paint

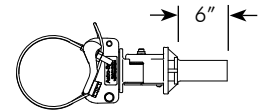


Note:
 For mounting a single security light or Wi Fi antenna.

Lumi-Brac, 1-5/8" Dia Tenon, Adjustable View Cable Mount, Alum

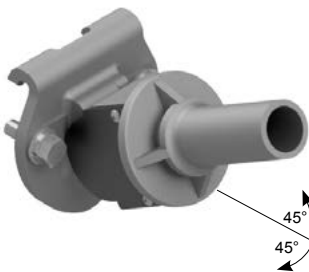


SP-6351 - - - Cable Length Cable Coating
 See Note Blank=Galv PNC= Process No Color
 SS=Stainless P__=Paint

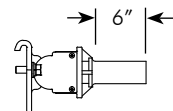


Note:
 For mounting a single security light or Wi Fi antenna.
 Cable Length: 62", 84", 96", 110", 120", 132", 144", 220", or 280".

Lumi-Brac, 1-5/8" Dia Tenon, Adjustable View Simplex Mount, Alum



SP-6353 - Coating
 PNC= Process No Color
 P__=Paint



Note:
 For mounting a single security light or Wi Fi antenna.
 Cable Length: 62", 84", 96", 110", 120", 132", 144", 220", or 280".

Note: 1. See Reference Section for available paint colors.
 2. See Reference Section page iv for cable clamp kit pole diameters.



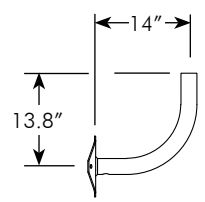
Lighting Arms

Pelco manufactures a variety of Lighting Arms that are available for single or twin luminaires. Both 1-5/8" and 2-3/8" diameter arms are available in aluminum and steel.

Mounting Bracket Assy, Single Luminaire Arm, 2-3/8" Dia, Galvanized Steel



SP-6282 - Coating
 GLV= Galvanized
 P__=Paint

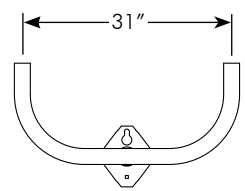
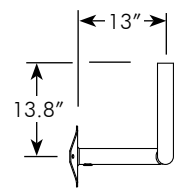


Note:
 Bullhorn mounting brackets mount with an offset from the wood pole. Includes rubber grommet on the underneath side for wiring. Mounting hardware not included.

Mounting Bracket Assy, Double Luminaire Arm, 2-3/8" Dia, Galvanized Steel



SP-6308 - Coating
 GLV= Galvanized
 P__=Paint



Note:
 Bullhorn mounting brackets mount with an offset from the wood pole. Includes rubber grommet on the underneath side for wiring. Mounting hardware not included.

Note: 1. See Reference Section for available paint colors.



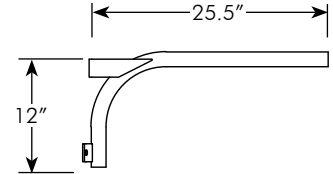
Lighting Arms

Pelco manufactures a variety of Lighting Arms that are available for single or twin luminaires. Both 1-5/8" and 2-3/8" diameter arms are available in aluminum and steel.

Luminaire Support Arm, 1-5/8" Dia, Upsweep, Galvanized Steel



SP-6272 - Coating
 GLV= Galvanized
 P__=Paint

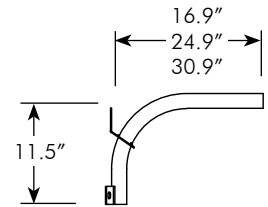


Note:
 For mounting a single security light or Wi Fi antenna.
 Mounting hardware not included.

Luminaire Mounting Arm, 1-5/8" Dia w/ Hardware, 1-5/8" Dia, Alum



SP-6348 - - Arm Length Coating
 16=16" PNC=Process No Color
 24=14" P__=Paint
 30=30"



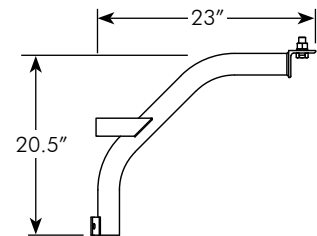
| Part Number | EPA (ft ^2) per arm at 120 mph with max. luminaire weight of 30 lbs |
|----------------|---|
| SP-6348-16-PXX | 3.0 |
| SP-6348-24-PXX | 2.0 |
| SP-6348-30-PXX | 3.6 |

Note:
 For mounting a single security light or Wi Fi antenna.
 Includes three 3/8"-16 x 3" hex head lag bolts and flat washers.

Mounting Arm Assy, Flood Light, 2-3/8" OD, Galvanized Steel



SP-6349-GLV



Note:
 Mounting arm with a 2-3/8" OD pipe for mounting a single flood light with the 3/4"-10NC supplied hardware.

Note: 1. See Reference Section for available paint colors.



Lighting Arms

Pelco manufactures a variety of Lighting Arms that are available for single or twin luminaires. Both 1-5/8" and 2-3/8" diameter arms are available in aluminum and steel.

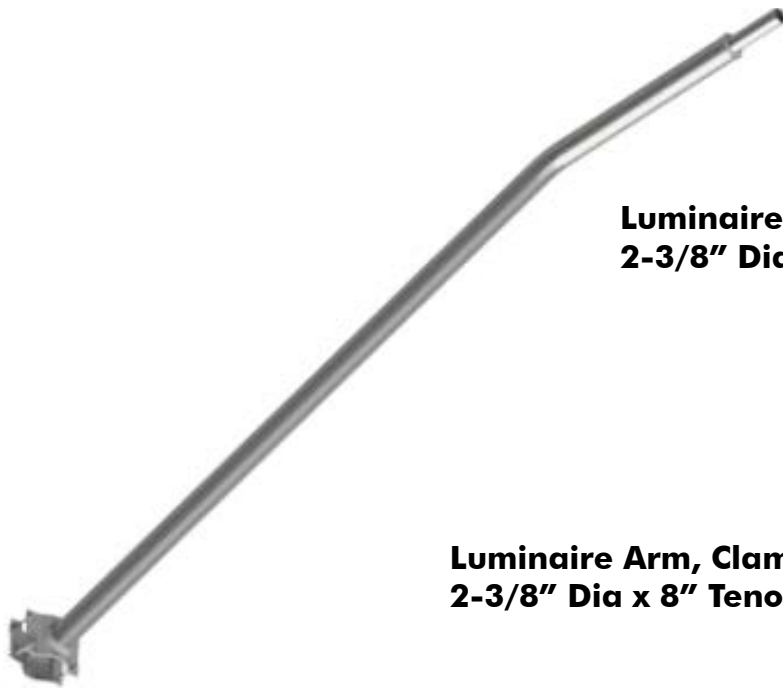
Luminaire Mounting Arm, 2-3/8" OD 54" Rise, Galvanized Steel



SP-6309 - Coating
 GLV=Galvanized
 P__=Paint

Note:
 For mounting a single luminaire on 2-3/8" OD x 6' schedule 10 pipe with a 54" rise.
 Mounting hardware not included. Galvanized or powder coated.

Luminaire Arm, Clamp-on for 4"-5" Dia Pole 2-3/8" Dia x 8" Tenon, 30" Rise, Steel



AP-3001 - - Arm Length Coating
 72=6' GLV=Galvanized
 96=8' P__=Paint
 120=10'
 144=12'

Luminaire Arm, Clamp-on for 5-1/2" to 7-1/2" Dia Pole 2-3/8" Dia x 8" Tenon, 30" Rise, Steel



AP-3002 - - Arm Length Coating
 96=8' GLV=Galvanized
 120=10' P__=Paint
 144=12'
 180=15'

Note:
 For mounting a single luminaire onto the 2-3/8" OD x 8" long tenon.
 Includes 1/2"-13NC hardware for attaching arm to the pole. Galvanized
 or powder coated.

Note: 1. See Reference Section for available paint colors.



Light Shields

Light shields are mounted to the luminaire to prevent unwanted light encroachment. Available in a natural aluminum color or painted to match the luminaire.



Light Shield, House Side for Mogul Socket, 2-1/4" Dia, Alum

AP-8433 - Coating
PNC= Process No Color
P__=Paint

Note:
Clamps onto the mogul base socket in the HID Bristol luminaire preventing unwanted light encroachment.



Light Shield, Security, Alum

SP-6013 - Coating
PNC= Process No Color
P__=Paint

Note:
Easily snaps onto most HID security lights preventing unwanted light encroachment.

Note: 1. See Reference Section for available paint colors.



Banner Brackets

Pelco has a wide variety of mounting bracket for banners and flags. Choose from ornamental hubs, banded mini-bracs, or flat mounted hubs. Banner bracs for square poles are also available, as well as articulating arms for collapsing against the pole when not in use.



Banner Mounting Bracket, Alum Hinged Single Arm,

| | | | | | | | | |
|---------|---|----------------------|---|----------------------|---|----------------------|---|----------------------|
| SH-3551 | - | <input type="text"/> | - | <input type="text"/> | - | <input type="text"/> | - | <input type="text"/> |
| | | 2.38=2-3/8" | | 18=18" | | BL__=2" Ball | | P__=Paint |
| | | 2.88=2-7/8" | | 24=24" | | ST__=Steeple | | |
| | | 3.50=3-1/2" | | 30=30" | | SI__=Spire | | |
| | | 4.06=3" Fluted | | 36=36" | | FL__=Fleur | | |
| | | 4.50=4-1/2" | | | | SE__=1-1/2" Spear | | |
| | | 5.08=4" Fluted | | | | | | |
| | | 5.56=5-9/16" | | | | | | |



Note:
 Finial may be ordered as P28 Gold or same color as assembly, i.e., SH-3551-3.50-24-BL28-P33, for Gold Ball finial and Gloss Black assembly.



Banner Mounting Bracket, Alum Hinged Articulating Single Arm

| | | | | | | | | |
|---------|---|----------------------|---|----------------------|---|----------------------|---|----------------------|
| SH-3547 | - | <input type="text"/> | - | <input type="text"/> | - | <input type="text"/> | - | <input type="text"/> |
| | | 2.38=2-3/8" | | 18=18" | | BL__=2" Ball | | P__=Paint |
| | | 2.88=2-7/8" | | 24=24" | | ST__=Steeple | | |
| | | 3.50=3-1/2" | | 30=30" | | SI__=Spire | | |
| | | 4.06=3" Fluted | | 36=36" | | FL__=Fleur | | |
| | | 4.50=4-1/2" | | | | SE__=1-1/2" Spear | | |
| | | 5.08=4" Fluted | | | | | | |
| | | 5.56=5-9/16" | | | | | | |



Note:
 Finial may be ordered as P28 Gold or same color as assembly, i.e., SH-3547-3.50-24-BL28-P33, for Gold Ball finial and Gloss Black assembly.



Banner Mounting Bracket, Alum Hinged Double Arm,

| | | | | | | | | |
|---------|---|----------------------|---|----------------------|---|----------------------|---|----------------------|
| SH-3556 | - | <input type="text"/> | - | <input type="text"/> | - | <input type="text"/> | - | <input type="text"/> |
| | | 2.38=2-3/8" | | 18=18" | | 18=18" | | BL__=2" Ball |
| | | 2.88=2-7/8" | | 24=24" | | 20=21" | | ST__=Steeple |
| | | 3.50=3-1/2" | | 30=30" | | 24=24" | | SI__=Spire |
| | | 4.06=3" Fluted | | 36=36" | | 30=30" | | FL__=Fleur |
| | | 4.50=4-1/2" | | | | 36=36" | | SE__=1-1/2" Spear |
| | | 5.08=4" Fluted | | | | | | |
| | | 5.56=5-9/16" | | | | | | |



Note:
 Finial may be ordered as P28 Gold or same color as assembly, i.e., SH-3556-3.50-24-24-BL28-P33, for Gold Ball finial and Gloss Black assembly.

Note: 1. See Reference Section for available paint colors.



Banner Brackets

Pelco has a wide variety of mounting bracket for banners and flags. Choose from ornamental hubs, banded mini-bracs, or flat mounted hubs. Banner bracs for square poles are also available, as well as articulating arms for collapsing against the pole when not in use.



Banner Mounting Bracket, Alum Band Mini-Brac

| Banner Width | Band Length/Painted | Finial/Color | Coating |
|--------------------------------|------------------------|------------------------|------------------------|
| SH-3520 - <input type="text"/> | - <input type="text"/> | - <input type="text"/> | - <input type="text"/> |
| 18=18" | 29=29" | BL__=2" Ball | P__=Paint |
| 24=24" | 42=42" | ST__=Steeple | |
| 30=30" | 29PB=29" Painted | SI__=Spire | |
| 36=36" | 42PB=42" Painted | FL__=Fleur | |
| | | SE__=1-1/2" Spear | |



Note:
Finial may be ordered as P28 Gold or same color as assembly, i.e., SH-3520-42PB-24-BL28-P33, for Gold Ball finial and Gloss Black assembly. If painted band is required, band will be painted same color as assembly.



Banner Mounting Bracket, Alum Band Mini-Brac, Articulating Arm

| Banner Width | Band Length/Painted | Finial/Color | Coating |
|--------------------------------|------------------------|------------------------|------------------------|
| SH-3525 - <input type="text"/> | - <input type="text"/> | - <input type="text"/> | - <input type="text"/> |
| 18=18" | 29=29" | BL__=2" Ball | P__=Paint |
| 24=24" | 42=42" | ST__=Steeple | |
| 30=30" | 29PB=29" Painted | SI__=Spire | |
| 36=36" | 42PB=42" Painted | FL__=Fleur | |
| | | SE__=1-1/2" Spear | |



Note:
Finial may be ordered as P28 Gold or same color as assembly, i.e., SH-3525-3.50-24-BL28-P33, for Gold Ball finial and Gloss Black assembly. If painted band is required, band will be painted same color as assembly.

LIGHTING & POLES



Note: 1. See Reference Section for available paint colors.
2. See Reference Section for band clamp kit pole diameters.



Banner Brackets

Pelco has a wide variety of mounting bracket for banners and flags. Choose from ornamental hubs, banded mini-bracs, or flat mounted hubs. Banner bracs for square poles are also available, as well as articulating arms for collapsing against the pole when not in use.



Banner Mounting Bracket, Alum Universal Hub Mount

| | | | | | | | | | | | | | | | | | | | | | | | | | | | | | | | |
|--------------|---|-------------------|---|--------------|---|---------|--------|----------------------|--------------|---|-----------|--------|----------------------|--------------|--|--|--------|----------------------|------------|--|--|--------|----------------------|------------|--|--|--|--|-------------------|--|--|
| SH-3523 - | <table border="0"> <tr><td>Banner Width</td><td>-</td><td>Finial/Color</td><td>-</td><td>Coating</td></tr> <tr><td>18=18"</td><td><input type="text"/></td><td>BL__=2" Ball</td><td>-</td><td>P__=Paint</td></tr> <tr><td>24=24"</td><td><input type="text"/></td><td>ST__=Steeple</td><td></td><td></td></tr> <tr><td>30=30"</td><td><input type="text"/></td><td>SI__=Spire</td><td></td><td></td></tr> <tr><td>36=36"</td><td><input type="text"/></td><td>FL__=Fleur</td><td></td><td></td></tr> <tr><td></td><td></td><td>SE__=1-1/2" Spear</td><td></td><td></td></tr> </table> | Banner Width | - | Finial/Color | - | Coating | 18=18" | <input type="text"/> | BL__=2" Ball | - | P__=Paint | 24=24" | <input type="text"/> | ST__=Steeple | | | 30=30" | <input type="text"/> | SI__=Spire | | | 36=36" | <input type="text"/> | FL__=Fleur | | | | | SE__=1-1/2" Spear | | |
| Banner Width | - | Finial/Color | - | Coating | | | | | | | | | | | | | | | | | | | | | | | | | | | |
| 18=18" | <input type="text"/> | BL__=2" Ball | - | P__=Paint | | | | | | | | | | | | | | | | | | | | | | | | | | | |
| 24=24" | <input type="text"/> | ST__=Steeple | | | | | | | | | | | | | | | | | | | | | | | | | | | | | |
| 30=30" | <input type="text"/> | SI__=Spire | | | | | | | | | | | | | | | | | | | | | | | | | | | | | |
| 36=36" | <input type="text"/> | FL__=Fleur | | | | | | | | | | | | | | | | | | | | | | | | | | | | | |
| | | SE__=1-1/2" Spear | | | | | | | | | | | | | | | | | | | | | | | | | | | | | |



Note:
 Finial may be ordered as P28 Gold or same color as assembly, i.e., SH-3523-24-BL28-P33, for Gold Ball finial and Gloss Black assembly.



Banner Mounting Bracket, Alum For Square Poles, Articulating Arm

| | | | | | | | | | | | | | | | | | | | | | | | | | | | | | | | | | | | | | | | | | | | |
|--------------------|---|--------------|----------------------|-------------------|---|--------------|---|---------|-------------|----------------------|--------|----------------------|--------------|---|-----------|-----------------|----------------------|--------|----------------------|--------------|--|--|--------------------|----------------------|--------|----------------------|------------|--|--|--|--|--------|----------------------|------------|--|--|--|--|--|--|-------------------|--|--|
| SH-3532 - | <table border="0"> <tr><td>Pole Size</td><td>-</td><td>Banner Width</td><td>-</td><td>Finial/Color</td><td>-</td><td>Coating</td></tr> <tr><td>4=4" Square</td><td><input type="text"/></td><td>18=18"</td><td><input type="text"/></td><td>BL__=2" Ball</td><td>-</td><td>P__=Paint</td></tr> <tr><td>5=2-7/8" Square</td><td><input type="text"/></td><td>24=24"</td><td><input type="text"/></td><td>ST__=Steeple</td><td></td><td></td></tr> <tr><td>6.63=6-5/8" Square</td><td><input type="text"/></td><td>30=30"</td><td><input type="text"/></td><td>SI__=Spire</td><td></td><td></td></tr> <tr><td></td><td></td><td>36=36"</td><td><input type="text"/></td><td>FL__=Fleur</td><td></td><td></td></tr> <tr><td></td><td></td><td></td><td></td><td>SE__=1-1/2" Spear</td><td></td><td></td></tr> </table> | Pole Size | - | Banner Width | - | Finial/Color | - | Coating | 4=4" Square | <input type="text"/> | 18=18" | <input type="text"/> | BL__=2" Ball | - | P__=Paint | 5=2-7/8" Square | <input type="text"/> | 24=24" | <input type="text"/> | ST__=Steeple | | | 6.63=6-5/8" Square | <input type="text"/> | 30=30" | <input type="text"/> | SI__=Spire | | | | | 36=36" | <input type="text"/> | FL__=Fleur | | | | | | | SE__=1-1/2" Spear | | |
| Pole Size | - | Banner Width | - | Finial/Color | - | Coating | | | | | | | | | | | | | | | | | | | | | | | | | | | | | | | | | | | | | |
| 4=4" Square | <input type="text"/> | 18=18" | <input type="text"/> | BL__=2" Ball | - | P__=Paint | | | | | | | | | | | | | | | | | | | | | | | | | | | | | | | | | | | | | |
| 5=2-7/8" Square | <input type="text"/> | 24=24" | <input type="text"/> | ST__=Steeple | | | | | | | | | | | | | | | | | | | | | | | | | | | | | | | | | | | | | | | |
| 6.63=6-5/8" Square | <input type="text"/> | 30=30" | <input type="text"/> | SI__=Spire | | | | | | | | | | | | | | | | | | | | | | | | | | | | | | | | | | | | | | | |
| | | 36=36" | <input type="text"/> | FL__=Fleur | | | | | | | | | | | | | | | | | | | | | | | | | | | | | | | | | | | | | | | |
| | | | | SE__=1-1/2" Spear | | | | | | | | | | | | | | | | | | | | | | | | | | | | | | | | | | | | | | | |



Note:
 Finial may be ordered as P28 Gold or same color as assembly, i.e., SH-3532-4-24-BL28-P33, for Gold Ball finial and Gloss Black assembly.

Note: 1. See Reference Section for available paint colors.



Flag Mounts

Pelco has a wide variety of mounting bracket for banners and flags. Choose from ornamental hubs, banded mini-bracs, or flat mounted hubs. Banner bracs for square poles are also available, as well as articulating arms for collapsing against the pole when not in use.

Flag Mount, Hinged Articulating Serrated, Alum



SH-3549 - Pole Dia - Coating
 2.88=2-7/8" P__=Paint
 3.50=3-1/2"
 4.06=3" Fluted
 4.50=4-1/2"
 5.08=4" Fluted
 5.56=5-9/16"

Flag Mount, 2-Way Articulating Serrated, Alum



SH-3561 - Pole Dia - Coating
 2.88=2-7/8" P__=Paint
 3.50=3-1/2"
 4.06=3" Fluted
 4.50=4-1/2"
 5.08=4" Fluted
 5.56=5-9/16"

Flag Mount, Articulating Serrated, Alum Band Mini-Brac



SH-3539 - BandLength/Painted - Coating
 29=29" P__=Paint
 42=42"
 29PB=29" Painted
 42PB=42" Painted

Note:
 If painted band is required, band will be painted same color as assembly.

Flag Mount w/ Articulating Serated, Alum Universal Hub



SH-3538 - Coating
 P__=Paint

Note: 1. See Reference Section for available paint colors.
 2. See Reference Section page for band clamp kit pole diameters.



Pole Accessories

Pelco has a wide variety of mounting bracket for banners and flags. Choose from ornamental hubs, banded mini-bracs, or flat mounted hubs. Banner bracs for square poles are also available, as well as articulating arms for collapsing against the pole when not in use.



Flag Rod Assy, Alum

| | | | |
|-----------|----------------------|------------------------|------------------------|
| | Rod Length | Finial/Color | Coating |
| AP-7380 - | <input type="text"/> | - <input type="text"/> | - <input type="text"/> |
| | 42=42" | BL__=2" Ball | P__=Paint |
| | 52=52" | SE__=1-1/2" Spear | |
| | | SI__=Spire | |
| | | ST__=Steeple | |
| | | FL__=Fleur | |

Note:
 finial may be ordered as P28 Gold or same color as assembly, i.e.,
 AP-7380-42-ST28-P33, for Gold Ball Steeple finial and Gloss Black assembly.



Break-a-way Coupler, 1"-8NC, Alum For Banner Bracs

| | |
|-----------|----------------------|
| AP-7239 - | <input type="text"/> |
| | Coating |
| | P__=Paint |

Note: 1. See Reference Section for available paint colors.



Regulatory Signs MUTCD Compliant



**Stop Sign, R1-1
w/ Black Back**

Size Reflectivity Coating
SF-6000 - - - PNC
24=24" DG3=Diamond Grade
30=30" EG=Engineering Grade



**Yield Sign, R1-2
w/ Black Back**

Size Reflectivity Coating
SF-2025 - - - PNC
30=30" DG3=Diamond Grade
36=36" EG=Engineering Grade



**No Outlet Sign, W14-2
w/ Black Back**

Size Reflectivity Coating
SF-2033 - - - PNC
36=36" DG3=Diamond Grade
EG=Engineering Grade



**Dead End, W14-1
w/ Black Back**

Size Reflectivity Coating
SF-2026 - - - PNC
24=24" DG3=Diamond Grade
30=30" EG=Engineering Grade



**Curve Right Sign, W1-2R
w/ Black Back**

Size Reflectivity Coating
SF-2029 - - - PNC
24=24" DG3=Diamond Grade
EG=Engineering Grade



**Curve Left Sign, W1-2L
w/ Black Back**

Size Reflectivity Coating
SF-2030 - - - PNC
24=24" DG3=Diamond Grade
EG=Engineering Grade



**Speed Limit Sign, R1-1
18" x 24" w/ Black Back**

Speed Limit Reflectivity Coating
SF-2015 - - - PNC
20=20MPH DG3=Diamond Grade
25=25MPH EG=Engineering Grade



**Slow, Children at Play Sign, W9-12
18" x 24" w/ Black Back**

Reflectivity Coating
SF-2022 - - PNC
DG3=Diamond Grade
EG=Engineering Grade

Note: 1. Standard Regulatory signs are 0.080" thick.

2. FHWA in the 2009 MUTCD has made numerous changes in both the R numbers and their related sign designs. Therefore, careful review of the current sign design and it's R number should be made for every MUTCD compliant Pelco sign part number before ordering.



Regulatory Signs MUTCD Compliant



1-Way Sign, R6-1
36" x 12" w/ Black Back

Arrow Reflectivity Coating

SF-2016 - - - PNC

L=Left DG3=Diamond Grade
R=Right EG=Engineering Grade



3-Way Sign, R1-3a
12" x 6" w/ Black Back

Reflectivity Coating

SF-2027 - - PNC

DG3=Diamond Grade
EG=Engineering Grade



4-Way Sign, R1-3
12" x 6" w/ Black Back

Reflectivity Coating

SF-2023 - - PNC

DG3=Diamond Grade
EG=Engineering Grade



Parking Sign, R7-8
12" x 18" w/ Black Back

Reflectivity Coating

SF-2031 - - PNC

DG3=Diamond Grade
EG=Engineering Grade

Note: 1. Standard Regulatory signs are 0.080" thick.

2. FHWA in the 2009 MUTCD has made numerous changes in both the R numbers and their related sign designs. Therefore, careful review of the current sign design and it's R number should be made for every MUTCD compliant Pelco sign part number before ordering.



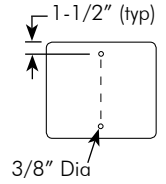
Custom Signs

Pelco has custom signs available in the sizes below, which include white engineering grade reflective legend on the powder coat color of your choice.



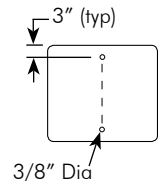
Sign, 12" Wide x Height w/ 2 Mounting Holes Powder Coat Background, White Reflective Legend

SF-5031 - -
 Height Coating
 09=9" P__=Paint
 12=12"
 18=18"



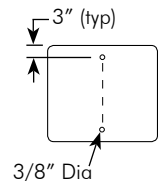
Sign, 18" Wide x Height w/ 2 Mounting Holes Powder Coat Background, White Reflective Legend

SF-5016 - - -
 Height Additional Vinyl Coating
 18=18" Blank=None P__=Paint
 24=24" RD=Red
 30=30"



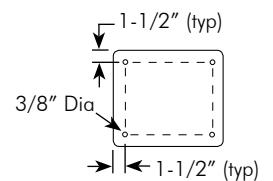
Sign, 24" Wide x Height w/ 2 Mounting Holes Powder Coat Background, White Reflective Legend

SF-5027 - -
 Height Coating
 18=18" P__=Paint
 24=24"
 30=30"
 36=36"



Sign, 24" Wide x Height w/ 4 Mounting Holes Powder Coat Background, White Reflective Legend

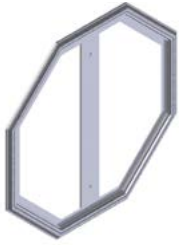
SF-5028 - -
 Height Coating
 18=18" P__=Paint
 24=24"
 30=30"
 36=36"



Note: 1. See Reference Section for available paint colors.
 2. Specify sign legend when ordering.

Sign Frames

Pelco offers both a decorative and a back plate option for framing your sign, in sizes shown below.



**Sign Frame, Decorative Alum
24" Octagonal Stop Sign**

AP-7013-1 - Coating
P__=Paint



**Sign Frame, Decorative Alum
30" Octagonal Stop Sign**

AP-7012-1 - Coating
P__=Paint



**Back Plate Frame, Alum
24" Octagonal Stop Sign**

SH-1849 - Coating
P__=Paint

**Back Plate Frame, Alum
30" Octagonal Stop Sign**

SH-1850 - Coating
P__=Paint



**Sign Frame, Decorative Alum
24" x 24" Regulatory Sign**

AP-7237 - Coating
P__=Paint



**Sign Frame, Decorative Alum
24" x 18" Regulatory Sign**

AP-7228 - Coating
P__=Paint



**Sign Frame, Decorative Alum
18" x 24" Regulatory Sign**

AP-7027 - Coating
P__=Paint



**Sign Frame, Decorative Alum
12" x 18" Regulatory Sign**

AP-7215 - Coating
P__=Paint

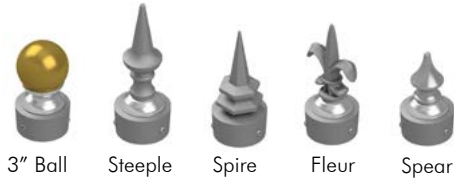


Note: 1. See Reference Section for available paint colors.



Post Tops

Both finial caps and rigid sign mounting caps are available for 2" and 2-1/2" posts.



3" Ball Steeple Spire Fleur Spear

Post Cap Assy, Alum For 2" (2-3/8" OD) Pole

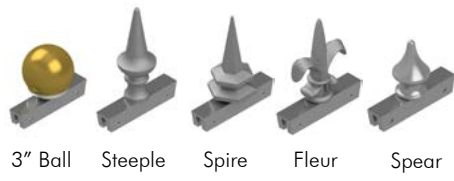
SH-1808 - -

Post Cap Assy, Alum For 2-1/2" (2-7/8" OD) Pole

SH-1828 - -

Note:
Finial may be ordered as P28 Gold or same color as assembly, i.e., SH-1808-BL28-P33, for Gold Ball finial and Gloss Black assembly.

Finial/Color Coating
BL__=2" Ball P__=Paint
ST__=Steeple
SL__=Spire
FL__=Fleur
SE__=1-1/2" Spear



3" Ball Steeple Spire Fleur Spear

Finial Assy, Alum w/ Slot for Extruded Blades

SH-1813 - -

Note:
Finial may be ordered as P28 Gold or same color as assembly, i.e., SH-1813-BL28-P33, for Gold Ball finial and Gloss Black assembly.

Finial/Color Coating
BL__=2" Ball P__=Paint
ST__=Steeple
SL__=Spire
FL__=Fleur
SE__=1-1/2" Spear



Post Cap Assy, Alum For 2" (2-3/8" OD) Pole

SH-1609 -



Post Cap Assy, Alum w/ 5" Long Slot for Extruded Blades For 2" (2-3/8" OD) Pole

SH-1800 -

Post Cap Assy, Alum w/ 5" Long Slot for Extruded Blades For 2-1/2" (2-7/8" OD) Pole

SH-1829 -



Post Cap Assy, Alum w/ 12" Long Slot for Extruded Blades For 2" (2-3/8" OD) Pole

SH-1845 -

Post Cap Assy, Alum w/ 12" Long Slot for Extruded Blades For 2-1/2" (2-7/8" OD) Pole

SH-1868 -



90 Cross, Alum w/ 5" Lg Slots for Extruded Blade

SH-1801 -



90 Cross, Alum w/ 12" Long Slot for Extruded Blades

SH-1847 -

Note: 1. See Reference Section for available paint colors.



Street Name Signage - Post Top

Pelco's Street Name Signs are available in several sizes and shapes, and either a post top or rigid cantilever mount. Choose powder coated with engineering grade reflective vinyl or high intensity diamond grade reflective signs.

6" Street Name Sign, Post Top Mount Extruded Blade Powder Coat Background, White Reflective Legend



SF-5011 -

| | | |
|----------------------|---|----------------------|
| Length | - | Coating |
| <input type="text"/> | - | <input type="text"/> |
| 24=24" | | P__=Paint |
| 30=30" | | |
| 36=36" | | |
| 42=42" | | |
| 48=48" | | |



SF-5020 -

| | | |
|----------------------|---|----------------------|
| Length | - | Coating |
| <input type="text"/> | - | <input type="text"/> |
| 24=24" | | P__=Paint |
| 30=30" | | |
| 36=36" | | |
| 42=42" | | |
| 48=48" | | |



SF-5071 -

| | | |
|----------------------|---|----------------------|
| Length | - | Coating |
| <input type="text"/> | - | <input type="text"/> |
| 24=24" | | P__=Paint |
| 30=30" | | |
| 36=36" | | |
| 42=42" | | |
| 48=48" | | |

6" Street Name Sign, Post Top Mount Extruded Blade Reflective Background, White Reflective Legend



SF-5000 -

| | | | | |
|----------------------|---|----------------------------|---|----------------------|
| Length | - | Reflectivity | - | Coating |
| <input type="text"/> | - | <input type="text"/> | - | <input type="text"/> |
| 24=24" | | DG3GR=Diamond Grade Green | | PNC |
| 30=30" | | DG3BR =Diamond Grade Brown | | |
| 36=36" | | DG3BL =Diamond Grade Blue | | |
| 42=42" | | | | |
| 48=48" | | | | |



SF-5034 -

| | | | | |
|----------------------|---|----------------------------|---|----------------------|
| Length | - | Reflectivity | - | Coating |
| <input type="text"/> | - | <input type="text"/> | - | <input type="text"/> |
| 24=24" | | DG3GR=Diamond Grade Green | | PNC |
| 30=30" | | DG3BR =Diamond Grade Brown | | |
| 36=36" | | DG3BL =Diamond Grade Blue | | |
| 42=42" | | | | |
| 48=48" | | | | |



SF-5081 -

| | | | | |
|----------------------|---|----------------------------|---|----------------------|
| Length | - | Reflectivity | - | Coating |
| <input type="text"/> | - | <input type="text"/> | - | <input type="text"/> |
| 24=24" | | DG3GR=Diamond Grade Green | | PNC |
| 30=30" | | DG3BR =Diamond Grade Brown | | |
| 36=36" | | DG3BL =Diamond Grade Blue | | |
| 42=42" | | | | |
| 48=48" | | | | |

Note: 1. See Reference Section for available paint colors.
2. Specify sign legend when ordering.



Street Name Signs - Rigid Cantilever

Pelco's Street Name Signs are available in several sizes and shapes, and either a post top or rigid cantilever mount. Choose powder coated with engineering grade reflective vinyl or high intensity diamond grade reflective signs.

6" Street Name Sign, Rigid Cantilever Mount Powder Coat Background, White Reflective Legend



SF-5008 -

| | | |
|--------|-------------|-----------|
| Length | Rigid Mount | Coating |
| 24=24" | - RM - | P__=Paint |
| 30=30" | | |
| 36=36" | | |
| 42=42" | | |
| 48=48" | | |



SF-5033 -

| | | |
|--------|-------------|-----------|
| Length | Rigid Mount | Coating |
| 24=24" | - RM - | P__=Paint |
| 30=30" | | |
| 36=36" | | |
| 42=42" | | |
| 48=48" | | |

6" Street Name Sign, Rigid Cantilever Mount Reflective Background, White Reflective Legend



SF-5007 -

| | | | |
|--------|---------------------|-------------|---------|
| Length | Reflectivity | Rigid Mount | Coating |
| 24=24" | - [] - | - RM - | PNC |
| 30=30" | DG3GR= | | |
| 36=36" | Diamond Grade Green | | |
| 42=42" | DG3BR= | | |
| 48=48" | Diamond Grade Brown | | |
| | DG3BL= | | |
| | Diamond Grade Blue | | |



SF-5032 -

| | | | |
|--------|---------------------|-------------|---------|
| Length | Reflectivity | Rigid Mount | Coating |
| 24=24" | - [] - | - RM - | PNC |
| 30=30" | DG3GR= | | |
| 36=36" | Diamond Grade Green | | |
| 42=42" | DG3BR= | | |
| 48=48" | Diamond Grade Brown | | |
| | DG3BL= | | |
| | Diamond Grade Blue | | |

Note: 1. See Reference Section for available paint colors.
2. Specify sign legend when ordering.



Street Name Signage - Post Top

Pelco's Street Name Signs are available in several sizes and shapes, and either a post top or rigid cantilever mount. Choose powder coated with engineering grade reflective vinyl or high intensity diamond grade reflective signs.

9" Street Name Sign, Post Top Mount Extruded Blade Powder Coat Background, White Reflective Legend



SF-5048 - -
Length Coating
24=24" P_ =Paint
30=30"
36=36"
42=42"
48=48"

9" Street Name Sign, Post Top Mount Extruded Blade Reflective Background, White Reflective Legend



SF-5047 - - - PNC
Length Reflectivity Coating
24=24" DG3GR=Diamond Grade Green
30=30" DG3BR =Diamond Grade Brown
36=36" DG3BL =Diamond Grade Blue
42=42"
48=48"

DECORATIVE SIGNAGE



Note: 1. See Reference Section for available paint colors.
2. Specify sign legend when ordering.



Street Name Signs - Rigid Cantilever

Pelco's Street Name Signs are available in several sizes and shapes, and either a post top or rigid cantilever mount. Choose powder coated with engineering grade reflective vinyl or high intensity diamond grade reflective signs.

9" Street Name Sign, Rigid Cantilever Mount Powder Coat Background, White Reflective Legend



SF-5046 -

| | | |
|----------------------|-------------|----------------------|
| Length | Rigid Mount | Coating |
| <input type="text"/> | - RM - | <input type="text"/> |
| 24=24" | | P__=Paint |
| 30=30" | | |
| 36=36" | | |
| 42=42" | | |
| 48=48" | | |



SF-5042 -

| | | |
|----------------------|-------------|----------------------|
| Length | Rigid Mount | Coating |
| <input type="text"/> | - RM - | <input type="text"/> |
| 24=24" | | P__=Paint |
| 30=30" | | |
| 36=36" | | |
| 42=42" | | |
| 48=48" | | |

9" Street Name Sign, Rigid Cantilever Mount Reflective Background, White Reflective Legend



SF-5045 -

| | | | |
|----------------------|----------------------------|-------------|---------|
| Length | Reflectivity | Rigid Mount | Coating |
| <input type="text"/> | - <input type="text"/> | - RM - | PNC |
| 24=24" | DG3GR=Diamond Grade Green | | |
| 30=30" | DG3BR =Diamond Grade Brown | | |
| 36=36" | DG3BL =Diamond Grade Blue | | |
| 42=42" | | | |
| 48=48" | | | |



SF-5041 -

| | | | |
|----------------------|----------------------------|-------------|---------|
| Length | Reflectivity | Rigid Mount | Coating |
| <input type="text"/> | - <input type="text"/> | - RM - | PNC |
| 24=24" | DG3GR=Diamond Grade Green | | |
| 30=30" | DG3BR =Diamond Grade Brown | | |
| 36=36" | DG3BL =Diamond Grade Blue | | |
| 42=42" | | | |
| 48=48" | | | |

Note: 1. See Reference Section for available paint colors.
2. Specify sign legend when ordering.



Sign Clamps

Pelco offers a variety of clamps for mounting signs to the side of a post. U-bolt, sign clamp, mini-brac and ornamental hub are options in various sizes. For additional sign mounting options see section T6.



U-Bolt Sign Clamp Assy, Alum w/ 5/16" Sign Mounting Hardware

| | Pole Size | Coating |
|---------|------------------------|------------------------|
| SH-0206 | - <input type="text"/> | - <input type="text"/> |
| | 1.5=1.5" (1-7/8" OD) | PNC=Process No Color |
| | 2=2" (2-3/8" OD) | P_ _=Paint |
| | 2.5=2.5" (2-7.8" OD) | |
| | 4=4.5" (4-1/2" OD) | |



U-Bolt Sign Clamp Assy, Alum w/ 5/16" Sign Mounting Hardware For Ornamental Sign Frames

| | Pole Size | Coating |
|---------|------------------------|------------------------|
| SH-0227 | - <input type="text"/> | - <input type="text"/> |
| | 1.5=1.5" (1-7/8" OD) | PNC=Process No Color |
| | 2=2" (2-3/8" OD) | P_ _=Paint |
| | 2.5=2.5" (2-7.8" OD) | |
| | 4=4.5" (4-1/2" OD) | |



Double Sign Clamp Assy, Alum w/ 5/16" Sign Mounting Hardware

| | Pole Size | Coating |
|---------|------------------------|------------------------|
| SH-0203 | - <input type="text"/> | - <input type="text"/> |
| | 1.5=1.5" (1-7/8" OD) | PNC=Process No Color |
| | 2=2" (2-3/8" OD) | P_ _=Paint |
| | 2.5=2.5" (2-7.8" OD) | |
| | 4=4.5" (4-1/2" OD) | |

Note: 1. See Reference Section for available paint colors.
2. See section T6 for additional sign mounting options.



Sign Clamps

Pelco offers a variety of clamps for mounting signs to the side of a post. U-bolt, sign clamp, mini-brac and ornamental hub are options in various sizes. For additional sign mounting options see section T6.



Sign Clamp Assy, Alum w/ 5/16" Sign Mounting Hardware



| | Pole Size | | Coating |
|---------|------------------|---|-----------------------------------|
| SH-0201 | - 3 | - | <input type="text"/> |
| | 3=3" (3-1/2" OD) | | PNC=Process No Color P__=Paint |



Double Sign Clamp Assy, Alum w/ 5/16" Sign Mounting Hardware



| | Pole Size | | Coating |
|---------|------------------|---|-----------------------------------|
| SH-0202 | - 3 | - | <input type="text"/> |
| | 3=3" (3-1/2" OD) | | PNC=Process No Color P__=Paint |



Sign Mount Assy, Astro Mini-Brac, Alum w/ 5/16" Sign Mounting Hardware

| | Band Length | | Coating |
|---------|--|---|-----------------------------------|
| SH-0228 | - <input type="text"/> | - | <input type="text"/> |
| | 29=29" Band 42=42" Band 29PB=29" Painted Band 42PB=42" Painted Band | | PNC=Process No Color P__=Paint |



Sign Mount Assy, Ornamental Hub, Alum w/ 5/16" Sign Mounting Hardware

| | Pole Dia | | Coating |
|---------|---|---|-----------------------------------|
| SH-0215 | - <input type="text"/> | - | <input type="text"/> |
| | 2.88=2-7/8" 3.50=3-1/2" 4.06=3" Fluted 4.50=4-1/2" 5.08=4" Fluted 5.56=5-9/16" | | PNC=Process No Color P__=Paint |

Note: 1. See Reference Section for available paint colors.
2. See Reference Section for band clamp kit pole diameters.

Cantilever Sign Mounts

Pelco Cantilever Sign Mounts are available with a hinged ornamental hub, banded mini-brac, or universal hub and come in various lengths with decorative finial options.

Street Name Sign Bracket, Alum Hinged Ornamental Hub, Single Arm



| AP-7362 | Pole Dia | Sign Length | Finial/Color | Coating |
|---------|----------------------|------------------------|------------------------|----------------------|
| - | <input type="text"/> | - <input type="text"/> | - <input type="text"/> | <input type="text"/> |
| | 2.38=2-3/8" | 24=24" | BL__=2" Ball | P__=Paint |
| | 2.88=2-7/8" | 30=30" | ST__=Steeple | |
| | 3.50=3-1/2" | 36=36" | SI__=Spire | |
| | 4.06=3" Fluted | 42=42" | FL__=Fleur | |
| | 4.50=4-1/2" | 48=48" | SE__=1-1/2" Spear | |
| | 5.08=4" Fluted | | | |
| | 5.56=5-9/16" | | | |



Note:
Shown with ball finial. Finial may be ordered as P28 Gold or same color as assembly, i.e., AP-7362-3.50-24-BL28-P33, for Gold Ball finial and Gloss Black assembly.

Street Name Sign Bracket, Ornamental Hub, Alum Hinged Ornamental Hub, Double Arm



| AP-7369 | Pole Dia | Sign Length | Sign Length | Finial/Color | Coating |
|---------|----------------------|------------------------|------------------------|------------------------|------------------------|
| - | <input type="text"/> | - <input type="text"/> | - <input type="text"/> | - <input type="text"/> | - <input type="text"/> |
| | 2.38=2-3/8" | 24=24" | 24=24" | BL__=2" Ball | P__=Paint |
| | 2.88=2-7/8" | 30=30" | 30=30" | ST__=Steeple | |
| | 3.50=3-1/2" | 36=36" | 36=36" | SI__=Spire | |
| | 4.06=3" Fluted | 42=42" | 42=42" | FL__=Fleur | |
| | 4.50=4-1/2" | 48=48" | 48=48" | SE__=1-1/2" Spear | |
| | 5.08=4" Fluted | | | | |
| | 5.56=5-9/16" | | | | |



Note:
Shown with ball finial. Finial may be ordered as P28 Gold or same color as assembly, i.e., AP-7369-3.50-24-24-BL28-P33, for Gold Ball finial and Gloss Black assembly.

Note: 1. See Reference Section for available paint colors.



Cantilever Sign Mounts

Pelco Cantilever Sign Mounts are available with a hinged ornamental hub, banded mini-brac, or universal hub and come in various lengths with decorative finial options.

Street Name Sign Bracket, Alum Mini-Brac w/ Stainless Steel Bands



| Sign Length | BandLength/Painted | Finial/Color | Coating |
|--------------------------------|------------------------|------------------------|------------------------|
| AP-7268 - <input type="text"/> | - <input type="text"/> | - <input type="text"/> | - <input type="text"/> |
| 24=24" | 29=29" | BL__=2" Ball | P__=Paint |
| 30=30" | 42=42" | ST__=Steeple | |
| 36=36" | 29PB=29" Painted | SI__=Spire | |
| 42=42" | 42PB=42" Painted | FL__=Fleur | |
| 48=48" | | SE__=1-1/2" Spear | |



Note:

Shown with ball finial. Finial may be ordered as P28 Gold or same color as assembly, i.e., SH-3551-3.50-24-BL28-P33, for Gold Ball finial and Gloss Black assembly. If painted band is required, band will be painted same color as assembly.

Street Name Sign Bracket, Alum Universal Hub



| Sign Length | Finial/Color | Coating |
|--------------------------------|------------------------|------------------------|
| SH-3510 - <input type="text"/> | - <input type="text"/> | - <input type="text"/> |
| 24=24" | BL__=2" Ball | P__=Paint |
| 30=30" | ST__=Steeple | |
| 36=36" | SI__=Spire | |
| 42=42" | FL__=Fleur | |
| 48=48" | SE__=1-1/2" Spear | |



Note:

Shown with ball finial. Finial may be ordered as P28 Gold or same color as assembly, i.e., SH-3510-24-BL28-P33, for Gold Ball finial and Gloss Black assembly.

Note: 1. See Reference Section for available paint colors.
2. See Reference Section band clamp kit pole diameters.



Sign Posts

Pelco offers a 2-3/8" and 2-7/8" steel sign post in various length. For additional pole options and details of bases shown below see section T15.



Sign Post, 2-3/8" OD Steel, Direct Bury

PB -5208-

| |
|--------|
| Height |
| |

 -

| |
|---------|
| Coating |
| |

 06=6'
 08=8'
 10=10'
 12=12'
 15=15'
 P__=Paint

ABS Bases:



AP-0804
Old Towne I



AP-0803
Rochester I



AP-0810
Hamilton

Aluminum Bases:



AP-0801
Old
Towne I



AP-0807
Old
Towne II

- Note: 1. See Reference Section for available paint colors.
 2. For more indepth information on Bases see page T15-25 through T15-29.
 3. For Anchors see sections T11 and T12.



Sign Posts

Pelco offers a 2-3/8" and 2-7/8" steel sign post in various length. For additional pole options and details of bases shown below see section T15.



Sign Post, 2-7/8" OD Steel, Direct Bury

| | | | |
|----------|----------------------|---|----------------------|
| AP-2072- | Height | - | Coating |
| | <input type="text"/> | | <input type="text"/> |
| | 06=6' | | P__=Paint |
| | 08=8' | | |
| | 10=10' | | |
| | 12=12' | | |
| | 15=15' | | |

ABS Bases:



AP-0804
Old Towne I



AP-0803
Rochester I



AP-0810
Hamilton

Aluminum Bases:



AP-0801
Old
Towne I



AP-0807
Old
Towne II



AP-0820
Huntington

Note: 1. See Reference Section for available paint colors.
 2. For more indepth information on Bases see page T15-25 through T15-29.
 3. For Anchors see sections T11 and T12.

