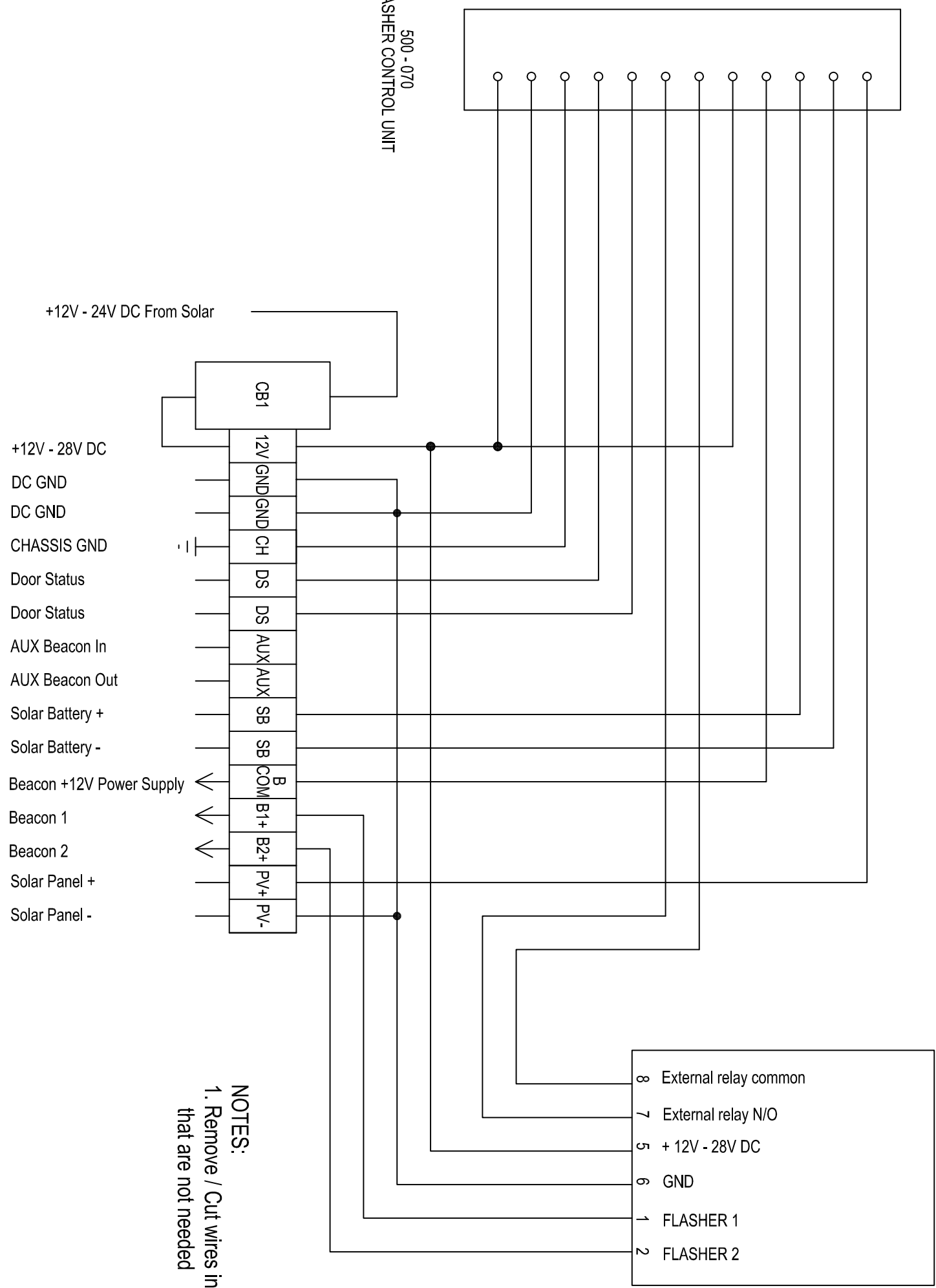


- J1-1 - Solar Panel Voltage (+)
- J1-4 - Battery Voltage (-)
- J1-5 - Battery Voltage (+)
- J1-14 - Relay 1 NO
- J1-13 - Relay 1 Common
- J1-9 - Relay 2 NO
- J1-10 - Relay 2 Common
- J1-2 - Cabinet Door Sensor
- J1-3 - 10V Out
- J1-6 - Chassis Ground
- J1-7 - DC GND
- J1-15 - 12V - 28V DC

500 - 070
FLASHER CONTROL UNIT



NOTES:
1. Remove / Cut wires in harness that are not needed

Drawn By : S. Markusoff
Date : 23Sept15

Approved By : JC Deetlefs
Date : 23Sept15

Revision : A
Size : A3
Scale : N.T.S.

Drawing Number : A1500-070-06

Drawing Title :

FCU 500-070 Typical Wiring Diagram (12V-28V DC) For use with FS-2A Flasher

Client : Manufactured for & distributed by

Applied Information Inc



applied
INFORMATION