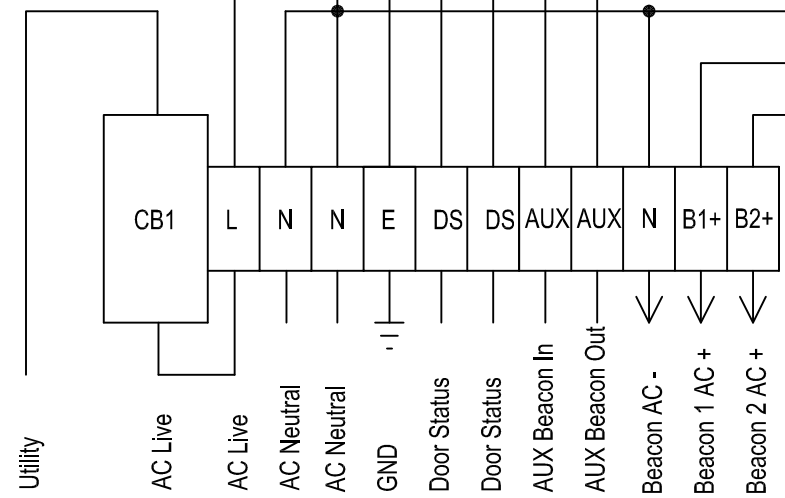
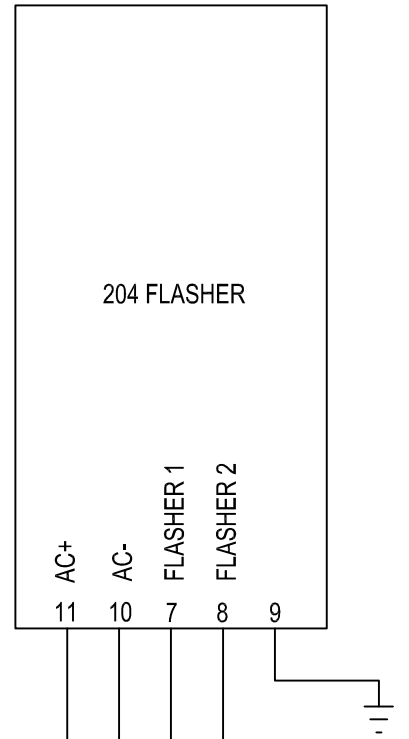


- J1-14 - Relay 1 NO
- J1-13 - Relay 1 Common
- J1-9 - Relay 2 NO
- J1-10 - Relay 2 Common
- J1-2 - Cabinet Door Sensor
- J1-3 - 10v Out
- J1-6 - Chassis Ground
- J1-16 - 120V AC (Neutral)
- J1-8 - 120V AC (Live)

500 - 070  
FLASHER CONTROL UNIT



NOTE:  
1. Remove / Cut wires in harness  
that are not needed

Drawn By :	S. Markusoff	Date :	19Mar15
Approved By :	JC Deetlefs	Date :	19Mar15
Revision :	B	Size :	A3
		Scale :	N.T.S.

Drawing Number : AI500-070-02

Drawing Title : FCU 500-070 Flasher Control Unit Wiring Diagram (120VAC)

Client : APPLIED INFORMATION INC.

